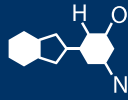


IF YOU...



MIX IT. FILL IT. PACK IT. SHIP IT.

WE HAVE A PRODUCT FOR YOU

Part # 26BS18

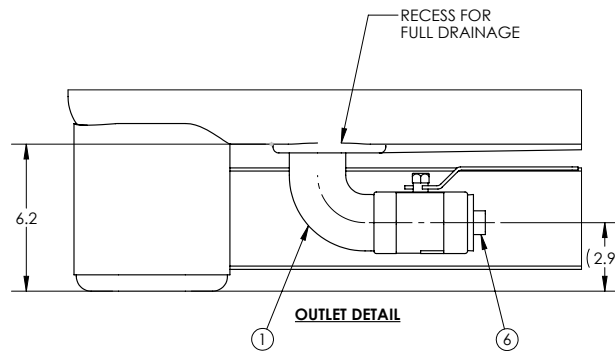
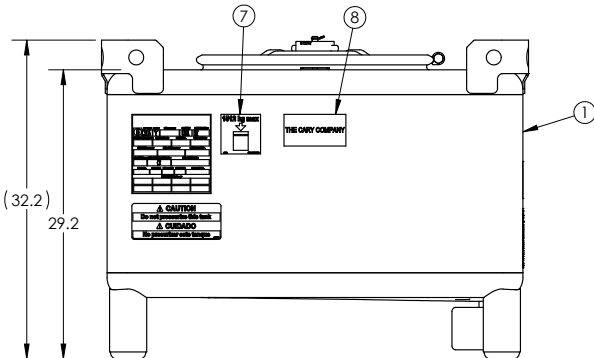
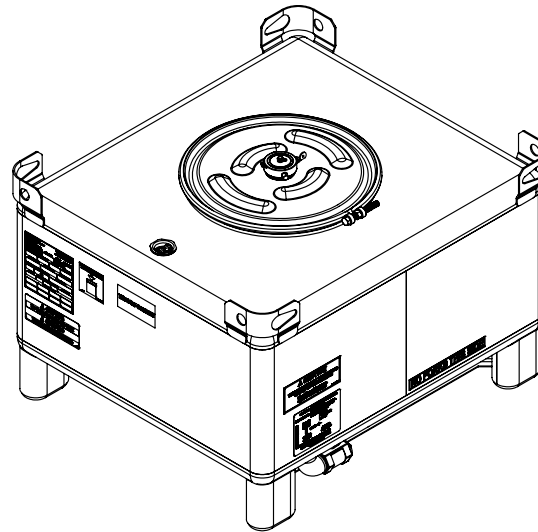
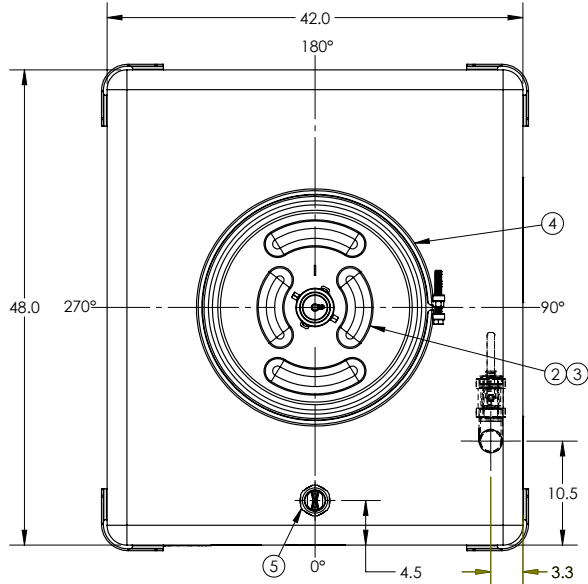
Stainless Steel IBC Totes & Tanks

180 Gallon UN Rated IBC Tank, Stainless Steel



The
CARYCOMPANY
Est. 1895

1195 W. Fullerton Ave. | Addison, IL 60101 | T: 630.629.6600 | F: 630.629.3690 | TheCaryCompany.com



CUSTOMER APPROVAL

APPROVED FOR PRODUCTION AS DRAWN.
 REVISE AS NOTED & RESUBMIT FOR APPROVAL.
 SIGNATURE: _____
 DATE: _____
 DRAWING IS NOT VALID UNLESS SIGNED

IBO TYPE	GROUP	MFG. mm-yy	COUNTRY	MANUFACTURER
H31AY			USA	M
DESIGN TEST LOAD kg	MAX. GROSS kg	CAPACITY L	TARE MASS kg	
TEST DATE mm-yy	INSP. DATE mm-yy	MAYL. OF CONST.		
MIL. SPEC. mm	MAX. FILL PRES. kPa	MFG. SERIAL NO.		
0				
MODEL NO.	OPTIONAL EQ.	MFG. ORDER #	THE MFG. #	CUST. SERIAL NO.
DATE RECEIVED mm-yy				

UN DOT TAG DETAIL

180G	681 L	1512	2788
SIZE	CAPACITY L	MAX GROSS KG	STACK WEIGHT KG

NOTES:

- TANK IS DESIGNED AND CONSTRUCTED IN ACCORDANCE WITH U.N. SPECIFICATIONS.
- TANK AND HEAD CONSTRUCTION OF 10GA MATERIAL.
- TANK IS AIR TESTED AT 3 PSI.
- ALL WELDS CLEANED OF SLAG, SPATTER, & DISCOLORATION.

ITEM NO.	QTY.	PART NUMBER	DESCRIPTION
8	1	34703288	DECAL PKG CARY CO IBC REV-STEM
7	1	99700355	DECAL STACK 180 SPRINTR
6	1	34200833	PLUG PVC 2IN NPT SQ HEAD
5	1	35901511	PLUG 2IN HEX HEAD WH EPDM GASKET 304SS
4	1	34701360	ASM BOLTED CLAMP RING 22-5/16 ZINC-PLTD
3	1	33100387	GASKET 22-5/16 DIA 55 MS MULTISEAL EPDM
2	1	35901290	ASM LID 22-5/16 DOT 3IN FV W/TEF 304SS
1	1	34903782	TK 180 TRAN 42X48 304SS 10/10/10 NO CVR

CUSTOMER:		CUSTOMER NO:	
DO NOT SCALE			
STATUS:	Released	TITLE:	TK 180 TRAN 42X48 304SS FV CARY
PART NO:		ENG. ID:	D013596
6984102B51304			
		REVISION:	A
		SHEET:	1 OF 1

ALL DIMENSIONS ARE IN INCHES, NOMINAL, & SUBJECT TO CHANGE WITHOUT NOTICE.
 ALL DIMENSIONS ON ROTATIONAL MOLDED PARTS ARE SUBJECT TO A ± 3% TOLERANCE.