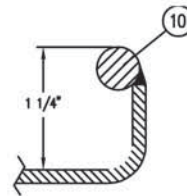
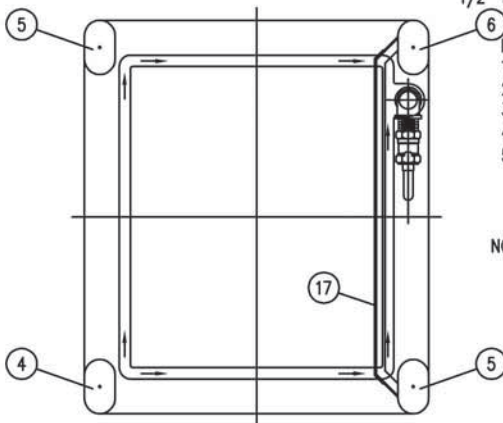
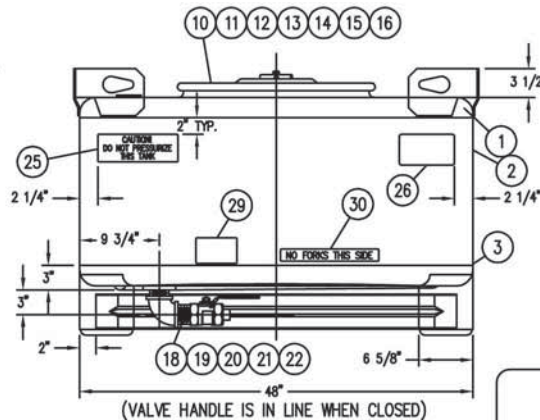
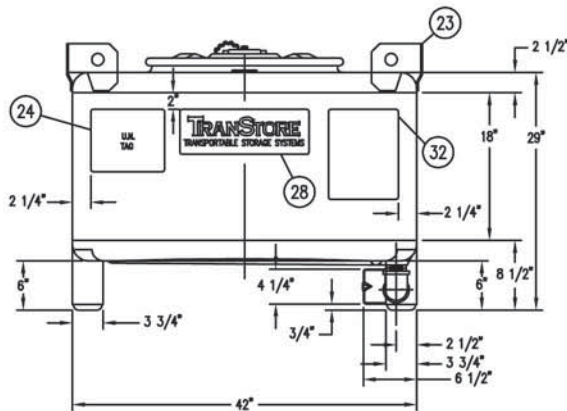


DETAIL ITEM #31
SCALE: NONE



DRUM NECK SECTION
SCALE: NONE



NOTE: BOTTOM SUMP SLOPES
1/2" TOWARDS OPENING

- NOTES:
1. REMOVE ALL BURRS AND SHARP EDGES.
 2. TANK FABRICATED W/2" RADIUS CORNERS AND HIGH CONTOUR LEGS.
 3. MATERIAL OF CONSTRUCTION IS 304 S.S. AND NOTED.
 4. INSIDE OF TANK TO BE WIPED CLEAN AT FINAL ASS'Y.
 5. WARRANTY TAG TO BE WIRED TO CLAMP RING AT FINAL ASS'Y.

NOTE: IF APPLICABLE, PER TITLE 49CFR, BOTH THE 22 1/2" CLOSURE CLAMP RING, BOLT, NUT & THE 2" BUNG PLUG MUST BE TIGHTENED TO A TORQUE OF 30 FT.-LBS. TO SATISFY THE PERFORMANCE REQUIREMENTS.

ITEM NO.	QUANTITY	PART NO.	DESCRIPTION
1	1	534847	TOP - 10 GA. - 304 S.S.
2	2 PC	951024	SHELL - 12 GA. - 304 S.S.
3	1	534848	BOTTOM - 10 GA. - 304 S.S.
4	1	534864	RIGHT LEG W/CAP - HIGH CONTOUR - 6" TALL - 304 S.S.
5	2	534865	LEFT LEG W/CAP - HIGH CONTOUR - 6" TALL - 304 S.S.
6	1	534864N	RIGHT LEG W/CAP - HIGH CONTOUR - 6" TALL - 304 S.S.
7	1	535236	WELD FLANGE - 2" SIZE - 304 S.S.
8	1	542997	PLUG W/CROSSBAR - 2" SIZE - 304 S.S.
9	1	541100	GASKET - 2" SIZE - EPT.
10	1	530946	DRUM NECK - 22 1/2" DIA. NOM. X 7/16" DIA. - 304 S.S.
11	1	520419	DRUM COVER W/EYEBROWS - 22 1/2" DIA. NOM. W/ 3" NIPPLE & WIRE SEAL LUG - 304 S.S.
12	1	540813	FUSIBLE CAP-3" NPS-316 S.S. W/TEFLON GASKET,LANYARD & COMP. SLEEVE.
13	1	545108	EPDM MULTI-SEAL GASKET.
14	1	534487	CLAMP RING - PLATED STEEL.
15	1	540071	BOLT - 5/8" NC X 5" LG. - PLATED STEEL.
16	1	540072	NUT - 5/8" NC - PLATED STEEL.
17	1	534547	VALVE GUARD - 10 GA. - 304 S.S.
18	1	541830	VALVE, BALL 2" NPT W/OFFSET HANDLE & LOCK-316 S.S. W/TEFLON SEATS.
19	1	530196	NIPPLE - 2" NPT X 1 1/2" LG. (TOE) - 304 S.S.
20	1	540066	ELBOW - 2" NPT X 90 DEG. - 304 S.S.
21	1	540068	NIPPLE - 2" NPT X 3" LG. (TBE) - 304 S.S.
22	1	540063	SHIPPING SEAL - 2" NPT SQUARE HEAD - PVC.
23	4	534843	COMBINATION LIFTING LUG W/LARGE RADIUS CORNER - 1/4" THK. - 304 S.S.
24	1	542696	U.N. TAG. - 304 S.S.
25	1	540009	DECAL - "CAUTION! DO NOT PRESSURIZE THIS TANK".
26	1	541251	DECAL - "THIS TANK MUST BE VENTED PRIOR TO DISCHARGE".
27	--	-----	OMIT
28	1	540069	DECAL - "TRANSTORE".
29	1	540029	DECAL - "OPEN, CLOSED" - FOR VALVE.
30	1	540001	DECAL - "NO FORKS THIS SIDE".
31	1	540908	WARRANTY TAG - ORANGE CARDBOARD.
32	1	542893	DECAL - CALIBRATION FOR TRANSTORE TANKS

QC	31A	GROUP	U.S. REG.-YR.	COUNTRY	UNFURNISHED
STOCKING REF. LEAD BY	4082	U.S. ORDER BY	2041	ORDER L.	681
THE MFR BY	AT ASS'Y				
U.S. REG. NO.	1.95	U.S. REG. NO.	0	U.S. REG. NO.	AT ASSY
U.S. REG. NO.	913383	U.S. REG. NO.	180 GAL	U.S. REG. NO.	4500
U.S. REG. NO.	AT ASSY		U.S. REG. NO.	DATE RETESTED MO.-YR.	

ITEM	QTY	PART NO.	ITEMS TO BE SHIPPED LOOSE
MATERIAL FINISHES			
INTERIOR		28	
EXTERIOR		28	
WELD FINISHES			
INTERIOR			STANDARD CLEAN
EXTERIOR			STANDARD CLEAN

The **CARY** COMPANY
Est. 1895

TITLE
180 GALLON TANK - 304 S.S.

CUSTOMER
JOB

NO REQ'D. WORK ORDER NO. PURCHASE ORDER NO.

REVISION SYMBOL	REVISED BY	REVISION DATE	DESCRIPTION OF CHANGE
CODE	ACADR2002	PLOTTER SCALE	1" = 12"
FILE NUMBER	513383.DWG		

DRAWN BY: DRL
DATE DRAWN: 1-23-03
APPROVED BY: [Signature]
DATE APPROVED: [Signature]
DRAWING NO.: 513383
REVISION LEVEL: --