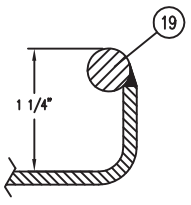
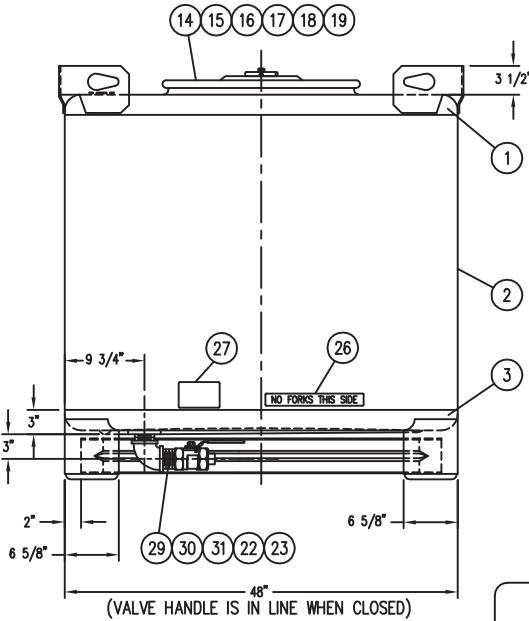
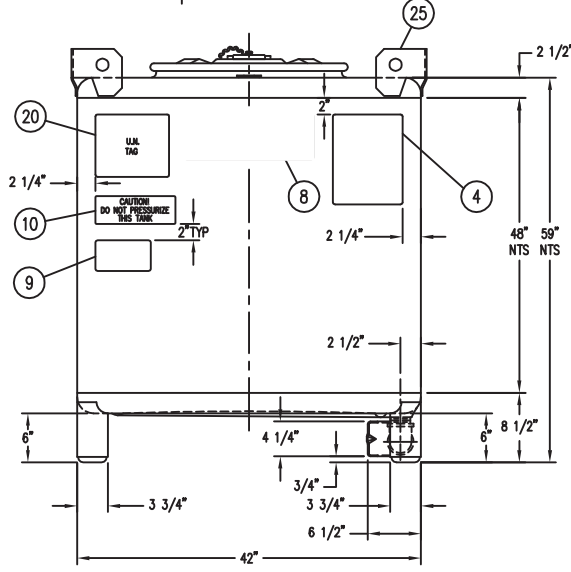


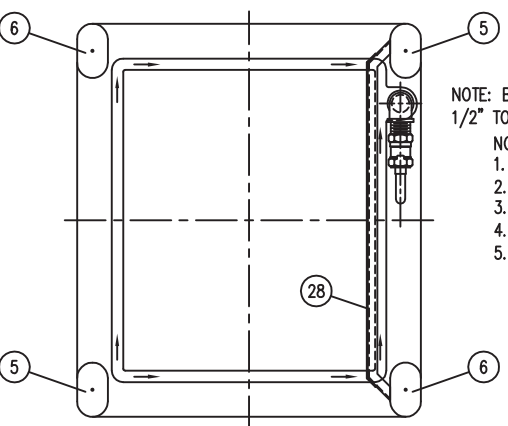
DETAIL ITEM #7
SCALE: NONE



DRUM NECK SECTION
SCALE: NONE



(VALVE HANDLE IS IN LINE WHEN CLOSED)



- NOTE: BOTTOM SUMP SLOPES 1/2" TOWARDS OPENING
- NOTES:
1. REMOVE ALL BURRS AND SHARP EDGES.
 2. TANK FABRICATED W/2" RADIUS CORNERS AND HIGH CONTOUR LEGS.
 3. MATERIAL OF CONSTRUCTION IS 304 S.S. AND NOTED.
 4. INSIDE OF TANK TO BE WIPED CLEAN AT FINAL ASS'Y.
 5. WARRANTY TAG TO BE WIRED TO CLAMP RING AT FINAL ASS'Y.

| ITEM NO. | QUANTITY | PART NO. | DESCRIPTION |
|----------|----------|----------|--|
| 1 | 1 | 534847 | TOP - 10 GA. - 304 S.S. |
| 2 | 2 PC | 951005 | SHELL - 10 GA. - 304 S.S. |
| 3 | 1 | 534848 | BOTTOM - 10 GA. - 304 S.S. |
| 4 | 1 | 542893 | DECAL - CALIBRATION FOR TRANSTORE TANKS |
| 5 | 2 | 534864 | RIGHT LEG W/CAP - HIGH CONTOUR - 6" TALL - 304 S.S. |
| 6 | 2 | 534865 | LEFT LEG W/CAP - HIGH CONTOUR - 6" TALL - 304 S.S. |
| 7 | 1 | 540908 | WARRANTY TAG - ORANGE CARDBOARD. |
| 8 | 1 | 540069 | DECAL - "TRANSTORE". |
| 9 | 1 | 541251 | DECAL - "THIS TANK MUST BE VENTED PRIOR TO DISCHARGE". |
| 10 | 1 | 540009 | DECAL - "CAUTION! DO NOT PRESSURIZE THIS TANK". |
| 11 | 1 | 535236 | WELD FLANGE - 2" SIZE - 304 S.S. |
| 12 | 1 | 542997 | PLUG W/CROSSBAR - 2" SIZE - 304 S.S. |
| 13 | 1 | 541100 | GASKET - 2" SIZE - EPT. |
| 14 | 1 | 520419 | DRUM COVER W/EYEBROWS - 22 1/2" DIA. NOM. W/ 3" NIPPLE, WIRE SEAL LUG - 304 S.S. |
| 15 | 1 | 545108 | EPDM MULTI-SEAL GASKET. |
| 16 | 1 | 534487 | CLAMP RING - PLATED STEEL. |
| 17 | 1 | 540071 | BOLT - 5/8" NC X 5" LG. - PLATED STEEL. |
| 18 | 1 | 540072 | NUT - 5/8" NC - PLATED STEEL. |
| 19 | 1 | 530946 | DRUM NECK - 22 1/2" DIA. NOM. X 7/16" DIA. - 304 S.S. |
| 20 | 1 | 542696 | U.N. TAG. - 304 S.S. |
| 21 | 1 | 540811 | FUSIBLE CAP-3" NPS-316 S.S. W/TEFLON GASKET,LANYARD & COMP. SLEEVE. |
| 22 | 1 | 541830 | VALVE, BALL 2" NPT W/OFFSET HANDLE & LOCK-316 S.S. W/TEFLON SEATS. |
| 23 | 1 | 541552 | SHIPPING SEAL - 2" NPT SQUARE HEAD - BRASS. |
| 24 | - | - | OMIT |
| 25 | 4 | 534843 | COMBINATION LIFTING LUG W/LARGE RADIUS CORNER - 1/4" THK. - 304 S.S. |
| 26 | 1 | 540001 | DECAL - "NO FORKS THIS SIDE". |
| 27 | 1 | 540029 | DECAL - "OPEN, CLOSED" - FOR VALVE. |
| 28 | 1 | 534547 | VALVE GUARD - 10 GA. - 304 S.S. |
| 29 | 1 | 530196 | NIPPLE - 2" NPT X 1 1/2" LG. (TOE) - 304 S.S. |
| 30 | 1 | 540066 | ELBOW - 2" NPT X 90 DEG. - 304 S.S. |
| 31 | 1 | 540068 | NIPPLE - 2" NPT X 3" LG. (TBE) - 304 S.S. |

NOTE: IF APPLICABLE, PER TITLE 49CFR, BOTH THE 22 1/2" CLOSURE CLAMP RING, BOLT, NUT AND THE 2" BUNG PLUG MUST BE TIGHTENED TO A TORQUE OF 30 Ft.-lbs. TO SATISFY THE PERFORMANCE REQUIREMENTS.

| | | | | |
|-----------------------|--------------------------|-----------------|-------------|------------------|
| QC TYPE | GROUP | MFG. NO.-YR. | COUNTRY | MANUFACTURER |
| 31A | NY | - | USA | C/M/I |
| STOCKING TEST LOAD lb | MFG. GROSS lb | CAPACITY L | TARE WBS lb | |
| 7674 | 3447 | 1703 | AT ASS'Y | |
| TEST DATE MO.-YR. | REP. DATE MO.-YR. | MFG. OF COVER | | |
| - | - | 304 S.S. | | |
| MIL. THK. mm | MIL. FILL/DEL. PRES. PSI | MFG. SERIAL NO. | | |
| 2.34 | 0 | AT ASS'Y | | |
| MODEL NO. | CAPACITY | MFG. GROSS lb | TARE WBS lb | CHRG. SERIAL NO. |
| 612075 | 450 GAL | 7600 | AT ASS'Y | |
| DATE RETESTED MO.-YR. | | | | |

| | | | |
|-----------------------------------|----------------|----------------------|---------------|
| MATERIAL FINISHES | | | |
| INTERIOR | 2B | | |
| EXTERIOR | 2B | | |
| WELD FINISHES | | | |
| INTERIOR | STANDARD CLEAN | | |
| EXTERIOR | STANDARD CLEAN | | |
| The CARY COMPANY Est. 1895 | | | |
| TITLE | | | |
| 450 GALLON TANK - 304 S.S. | | | |
| CUSTOMER | | | |
| JOB | | | |
| NO REQ'D. | WORK ORDER NO. | PURCHASE ORDER NO. | |
| DRAWN BY | DATE DRAWN | APPROVED BY | DATE APPROVED |
| MDM | 8-31-01 | | |
| CODE | PLOTTER SCALE | DO NOT SCALE DRAWING | FILE NUMBER |
| ACADR14 | 1" = 12" | | |
| DRAWING NO. | | REVISION LEVEL | |
| | | A | |

| | | | |
|-----------------|------------|---------------|-------------------------------------|
| A | DRL | 2-3-03 | UPDATD DOT TAG TO CURRENT STANDARDS |
| REVISION SYMBOL | REVISED BY | REVISION DATE | DESCRIPTION OF CHANGE |
| | | | |