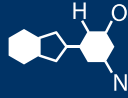


IF YOU...



MIX IT. FILL IT. PACK IT. SHIP IT.

WE HAVE A PRODUCT FOR YOU

Part # 26BS55

Stainless Steel IBC Totes & Tanks

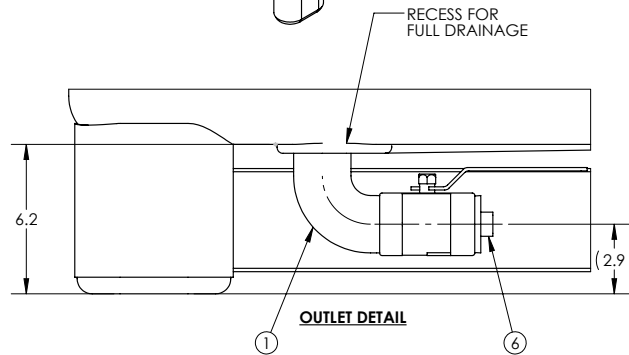
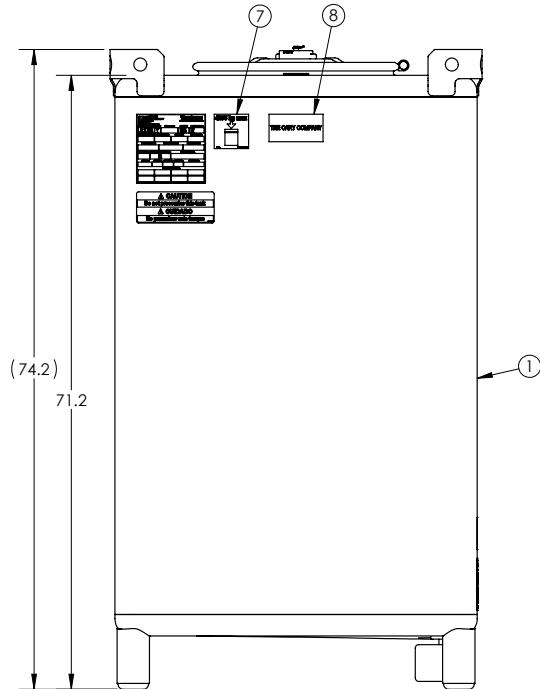
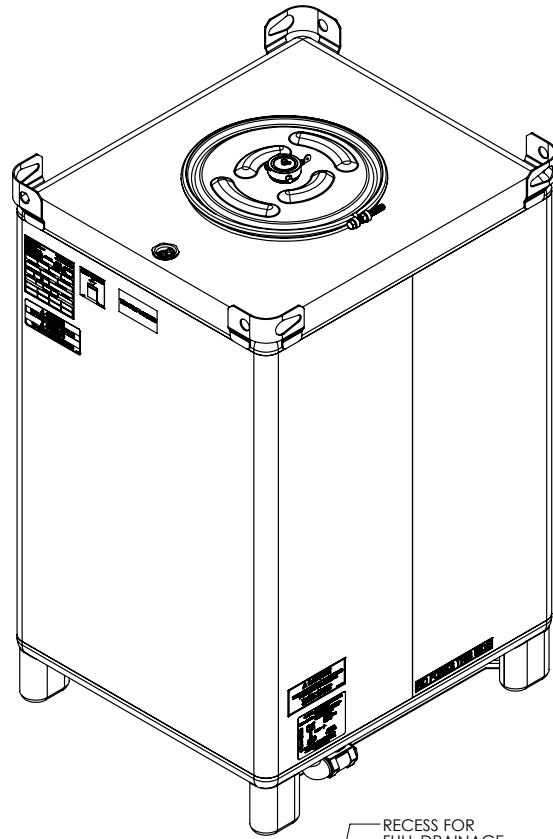
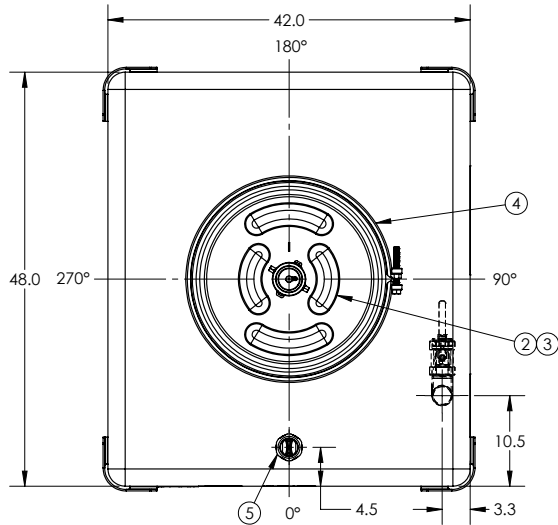
550 Gallon UN Rated IBC Tank, Stainless Steel



The
CARY COMPANY
Est. 1895

CUSTOMER APPROVAL

APPROVED FOR PRODUCTION AS DRAWN.
 REVISE AS NOTED & RESUBMIT FOR APPROVAL.
 SIGNATURE: _____
 DATE: _____
 DRAWING IS NOT VALID UNLESS SIGNED



550G	2082 L	4295	7849
SIZE	CAPACITY L	MAX GROSS KG.	STACK WEIGHT KG

NOTES:

1. TANK IS DESIGNED AND CONSTRUCTED IN ACCORDANCE WITH U.N. SPECIFICATIONS.
2. TANK AND HEAD CONSTRUCTION OF 10GA MATERIAL.
3. TANK IS AIR TESTED AT 3 PSI.
4. ALL WELDS CLEANED OF SLAG, SPATTER, & DISCOLORATION.

ITEM NO.	QTY.	PART NUMBER	DESCRIPTION
8	1	34703288	DECAL PKG CARY CO IBC REV-STEM
7	1	99700364	DECAL STACK 550 SPRTNR
6	1	34200833	PLUG PVC 2IN NPT SQ HEAD
5	1	35901511	PLUG 2IN HEX HEAD WH EPDM GASKET 304SS
4	1	34701360	ASM BOLTED CLAMP RING 22-5/16 ZINC-PLTD
3	1	33100387	GASKET 22-5/16 DIA 55 MS MULTISEAL EPDM
2	1	35901290	ASM LID 22-5/16 DOT 3IN FV W/TEF 304SS
1	1	34903788	TK 550 TRAN 42X48 304SS 10/10/10 NO CVR

CUSTOMER:		CUSTOMER NO:	
DO NOT SCALE		TITLE: TK 550 TRAN 42X48 304SS FV CARY	
STATE: Released	The CARY COMPANY Est. 1,895		REVISION: SHEET 1 OF 1
PART NO: 6984502B51304		ENG. ID: D013600	

ALL DIMENSIONS ARE IN INCHES, NOMINAL & SUBJECT TO CHANGE WITHOUT NOTICE.
 ALL DIMENSIONS ON ROTATIONAL MOLDED PARTS ARE SUBJECT TO A ± 3% TOLERANCE.