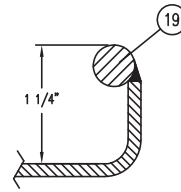
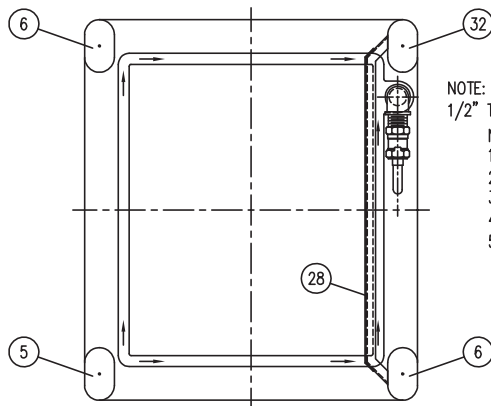
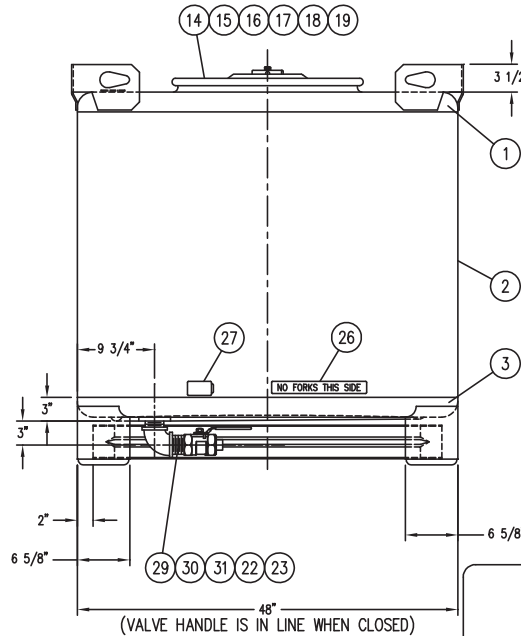
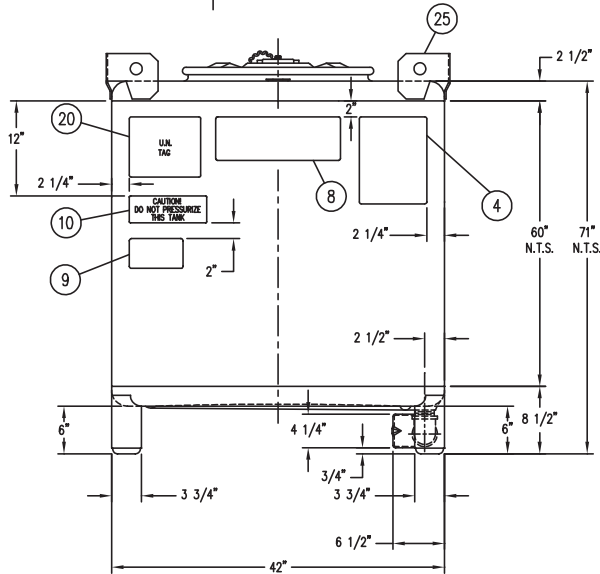


DETAIL ITEM #7
SCALE: NONE



DRUM NECK SECTION
SCALE: NONE



NOTE: BOTTOM SUMP SLOPES 1/2" TOWARDS OPENING

- NOTES:
1. REMOVE ALL BURRS AND SHARP EDGES.
 2. TANK FABRICATED W/2" RADIUS CORNERS AND HIGH CONTOUR LEGS.
 3. MATERIAL OF CONSTRUCTION IS 304 S.S. AND NOTED.
 4. INSIDE OF TANK TO BE WIPED CLEAN AT FINAL ASS'Y.
 5. WARRANTY TAG TO BE WIRED TO CLAMP RING AT FINAL ASS'Y.

ITEM NO.	QUANTITY	PART NO.	DESCRIPTION
1	1	534847	TOP - 10 GA. - 304 S.S.
2	2 PC	951010	SHELL - 10 GA. - 304 S.S.
3	1	534848	BOTTOM - 10 GA. - 304 S.S.
4	1	542893	DECAL - CALIBRATION FOR TRANSTORE TANKS
5	1	534864	RIGHT LEG W/CAP - HIGH CONTOUR - 6" TALL - 304 S.S.
6	2	534865	LEFT LEG W/CAP - HIGH CONTOUR - 6" TALL - 304 S.S.
7	1	540908	WARRANTY TAG - ORANGE CARDBOARD.
8	1	540069	DECAL - "TRANSTORE".
9	1	541251	DECAL - "THIS TANK MUST BE VENTED PRIOR TO DISCHARGE".
10	1	540009	DECAL - "CAUTION! DO NOT PRESSURIZE THIS TANK".
11	1	535236	WELD FLANGE - 2" SIZE - 304 S.S.
12	1	542997	PLUG W/CROSSBAR - 2" SIZE - 304 S.S.
13	1	541100	GASKET - 2" SIZE - EPT.
14	1	520419	DRUM COVER W/EYEBROWS - 22 1/2" DIA. NOM. W/3" NIPPLE & WIRE SEAL LUG - 304 S.S.
15	1	545108	EPDM MULTI-SEAL GASKET.
16	1	534487	CLAMP RING - PLATED STEEL.
17	1	540071	BOLT - 5/8" NC X 5" LG. - PLATED STEEL.
18	1	540072	NUT - 5/8" NC - PLATED STEEL.
19	1	530946	DRUM NECK - 22 1/2" DIA. NOM. X 7/16" DIA. - 304 S.S.
20	1	542696	U.N. TAG. - 304 S.S.
21	1	540811	FUSIBLE CAP-3" NPS-316 S.S. W/TEFLON GASKET,LANYARD & COMP. SLEEVE.
22	1	541830	VALVE, BALL 2" NPT W/OFFSET HANDLE & LOCK-316 S.S. W/TEFLON SEATS.
23	1	541552	SHIPPING SEAL - 2" NPT SQUARE HEAD - BRASS.
24	-	-----	OMIT.
25	4	534843	COMBINATION LIFTING LUG W/LARGE RADIUS CORNER - 1/4" THK. - 304 S.S.
26	1	540001	DECAL - "NO FORKS THIS SIDE".
27	1	540029	DECAL - "OPEN, CLOSED" - FOR VALVE.
28	1	534547	VALVE GUARD - 10 GA. - 304 S.S.
29	1	530196	NIPPLE - 2" NPT X 1 1/2" LG. (TOE) - 304 S.S.
30	1	540066	ELBOW - 2" NPT X 90 DEG. - 304 S.S.
31	1	540068	NIPPLE - 2" NPT X 3" LG. (TBE) - 304 S.S.
32	1	534864N	RIGHT LEG W/CAP - HIGH CONTOUR - 6" TALL - 304 S.S.

NOTE: IF APPLICABLE, PER TITLE 49CFR, BOTH THE 22 1/2" CLOSURE CLAMP RING, BOLT, NUT AND THE 2" BUNG PLUG MUST BE TIGHTENED TO A TORQUE OF 30 Ft.-lbs. TO SATISFY THE PERFORMANCE REQUIREMENTS.

U N	31A	YY	-	USA	/	CM	
STICKING TEST LOAD lb	7674	MAX. GROSS lb	4263	CAPACITY L	2082	TIME MINS kg	AT ASSY
TEST DATE MO.-YR.	-	REP. DATE MO.-YR.	-	UNFL. OF CONSTR.	304 S.S.		
MIN. THK. mm	3.12	MIN. FILL / DIS. PRES. MPa	0	MFG. SERIAL NO.			
MODEL NO.	512076	CAPACITY	550 GAL	MAX. GROSS lb	9400	TIME MINS lb	AT ASSY
				DATE RETESTED MO.-YR.			

MATERIAL FINISHES	
INTERIOR	2B
EXTERIOR	2B
WELD FINISHES	
INTERIOR	STANDARD CLEAN
EXTERIOR	STANDARD CLEAN
The CARY COMPANY Est. 1895	
TITLE	
550 GALLON TANK - 304 S.S.	
CUSTOMER	
JOB	

A	DRL	2-3-03	UPDATED TO CURRENT STANDARDS	NO REQ'D.	WORK ORDER NO.	PURCHASE ORDER NO.	
REVISION SYMBOL	REVISED BY	REVISION DATE	DESCRIPTION OF CHANGE	DRAWN BY	DATE DRAWN	APPROVED BY	DATE APPROVED
CODE	ACADR14	PLOTTER SCALE	1" = 12"	DO NOT SCALE DRAWING	R.K.L.	09/22/00	
		FILE NUMBER		DRAWING NO.			REVISION LEVEL
							A