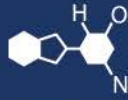


IF YOU...



MIX IT. FILL IT. PACK IT. SHIP IT.

WE HAVE A **PRODUCT** FOR YOU

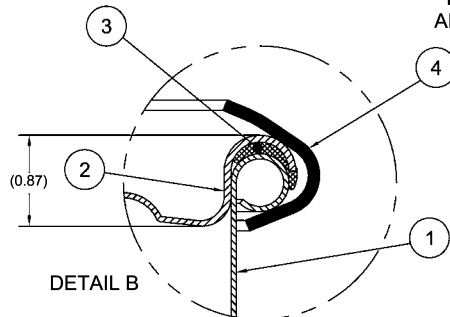
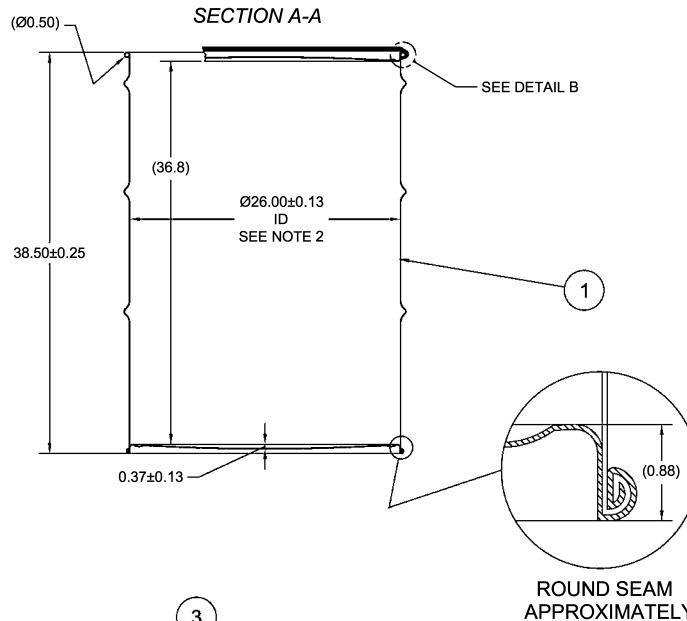
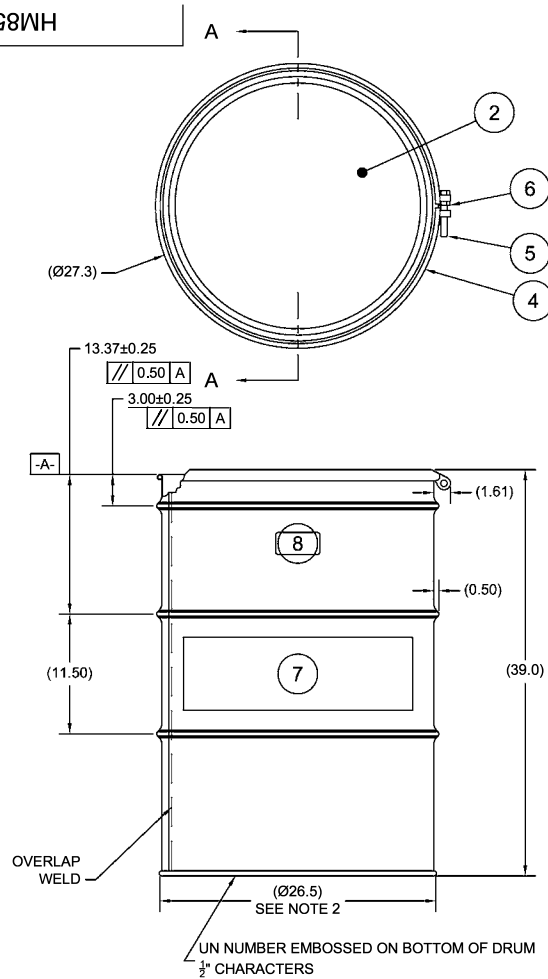
Part #: 26BS89



The
CARYCOMPANY
Est. 1895

1195 W. Fullerton Ave. | Addison, IL 60101 | T: 630.629.6600 | F: 630.629.3690 |

HM8520



TARE WEIGHT:
50 lbs

**APPROVAL
ON FILE**

FILE CREATED IN
AutoCAD

UNLESS STATED OTHERWISE

(DIMENSIONS IN PARENTHESIS ARE FOR
REFERENCE ONLY!!!)

ALL DIMENSIONS ARE IN INCHES
DO NOT SCALE DRAWING

TOLERANCES:
FRACTIONS ±1/4 X° ± 3°
X.X ± 0.2
X.XX ± 0.10
X.XXX ± 0.030



ECN # or INIT	REV	DESCRIPTION	DATE
	A	RELEASED	30-MAR-2007
OE-001	A1	CLERICAL ERROR	12-APR-2013
OE-001	A2	CLERICAL ERROR	15-APR-2013
OE-018	A3	WAS MULTI-LINGUAL SALVAGE LOGO	21-OCT-2016

NOTES:

- THESE DIMENSIONS REPRESENT DRUM AFTER BEING PROPERLY ASSEMBLED AND CLOSED PER SKOLNIK CLOSING INSTRUCTIONS
- TO DETERMINE GREATER ACCURACY OF ANY DIAMETRIC DIMENSION, MEASURING OF CIRCUMFERENCE IS REQUIRED
- CONSTRUCTION per 49 CFR § 178.504 (b)

MATERIAL:

- DRUM BODY AND COVER CRCQ CARBON STEEL PER ASTM A1008 AND ASTM A568
- MATERIAL THICKNESS COVER 1.2mm (0.0433 - 0.0480; 18 GAUGE), BODY/BOTTOM 0.9mm (0.0319 - 0.0370; 20 GAUGE).
- GASKET MAT'L PER ASTM D1056

FINISH:

- BODY/BOTTOM EXTERIOR PAINTED GRAY #716 (LQ10011)
COVER EXTERIOR PAINTED RED (LQ10017)

ITEM	P/N	DESCRIPTION	QTY
8		UN DURABLE LABEL	1
7	LS1000	LOGO SALVAGE DRUM	1
6	NT5800	5/8-11UNC HEX JAM NUT	1
5	BT5840	5/8-11UNC X 4in LONG HEX HEAD BOLT	1
4	RBH2612	BOLT RING (HP) 79-96G 12 GA 5/8 LUG	1
3	GE8500	GASKET EPDM IN-COVER D	1
2	P2612	COVER Ø26 ID	1
1		BODY/BOTTOM 85 GALLON DRUM Ø26 ID	1

The **CARY COMPANY**
Est. 1895

DESCRIPTION
85 GALLON OPEN HEAD DRUM
1.2 - 0.9 - 0.9 CRCQ STEEL
1A2/Y440/S SOLIDS ONLY

REL. DATE: 30-MAR-2007
PART NUM. / FILENAME: HM8520
REV: A3

UN1A2/Y440/S/YR

1.2 - 0.9 - 0.9 *

(YR = YEAR OF MANUFACTURE)

BEST PRINTED ON B-SIZE PAPER