

# IF YOU...



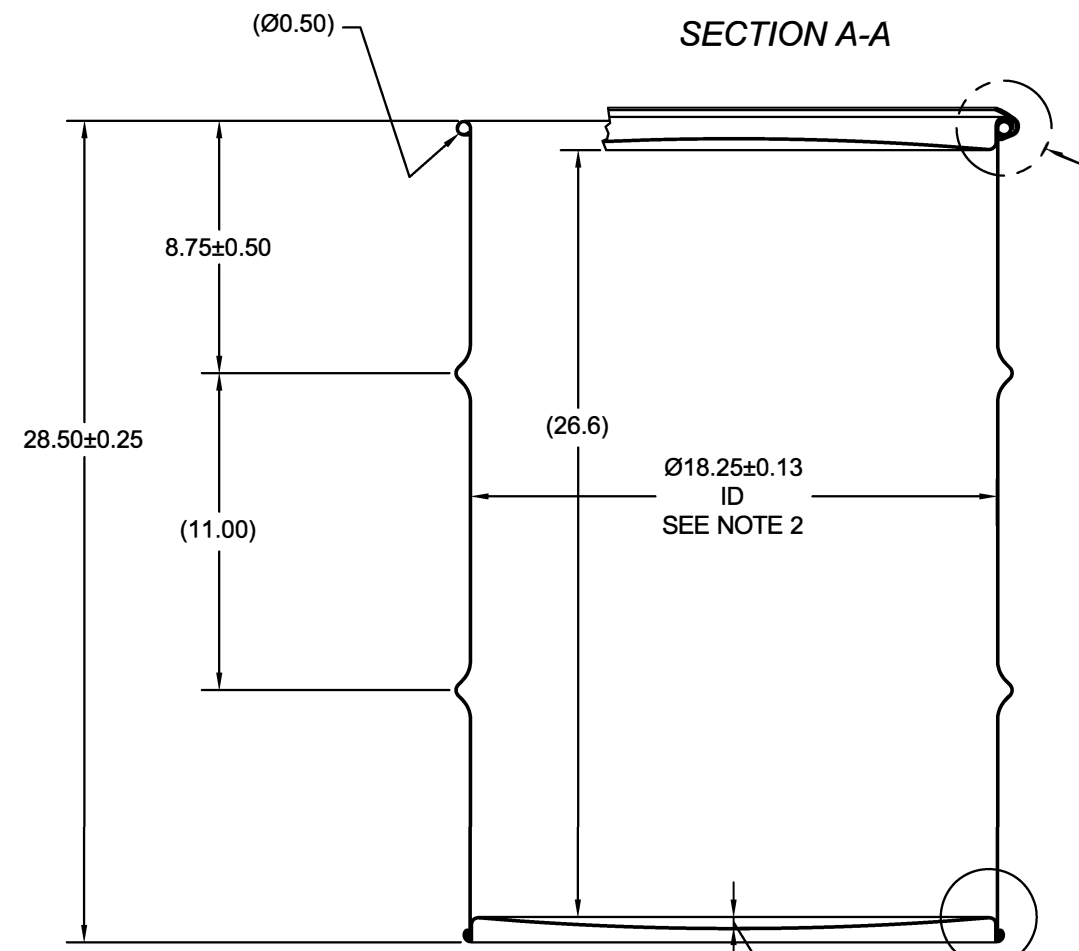
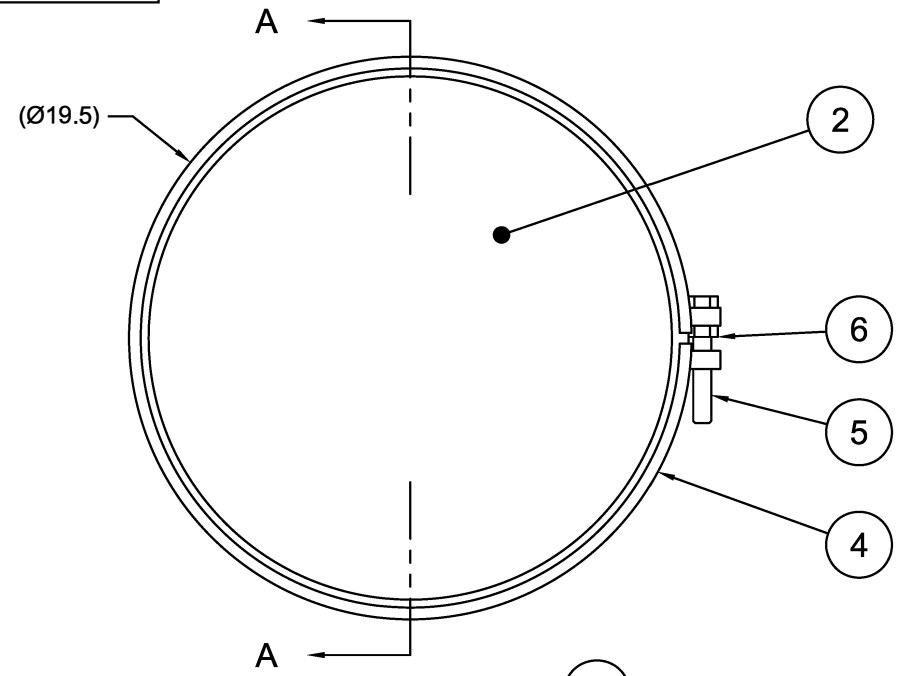
MIX IT. FILL IT. PACK IT. SHIP IT.

## WE HAVE A PRODUCT FOR YOU



Part #	26BSS3
Capacity	30 Gal.
Condition	New
Color	Stainless Steel
Material	Stainless Steel (304)
Closure	Cover with Bolt Ring Closure
Steel Thickness	1.5/1.2/1.2 (Top/Body/Bottom)
Steel Gauge	16/18/18 (Top/Body/Bottom)
Gasket	EDPM Rubber Gasket
Dimensions	18.25" Dia. x 26.6" H (inside) 18.6" Dia. x 29" H (outside)
Weight	35 lbs.
UN Rating Liquid	UN1A2/Y1.5/250
UN Rating Solid	UN1A2/X225/S

ECN # or INIT	REV	DESCRIPTION	DATE
LJT	A1	REDRAWN IN AutoCAD	14-JAN-2010
OE-001	A2	CLERICAL ERROR	17-APR-2013
OE-001	A3	CLERICAL ERROR	26-APR-2013



**NOTES:**

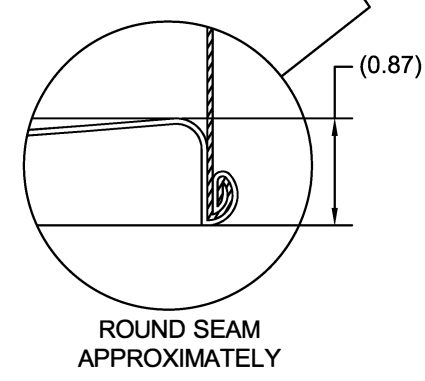
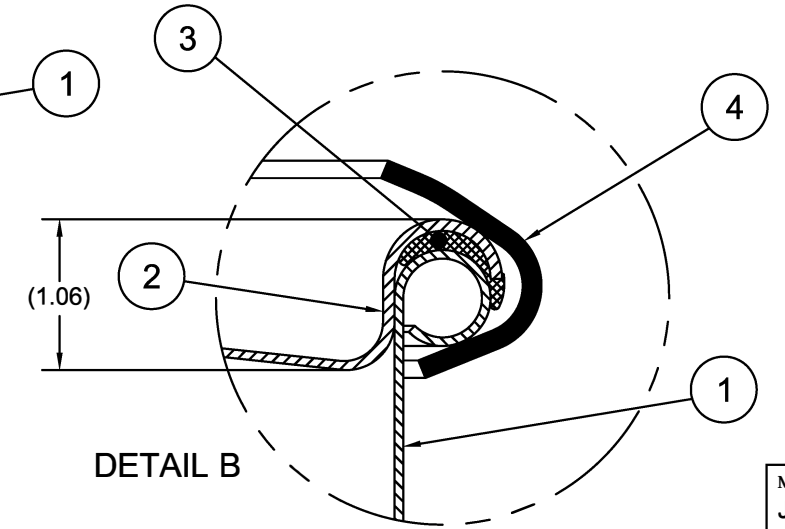
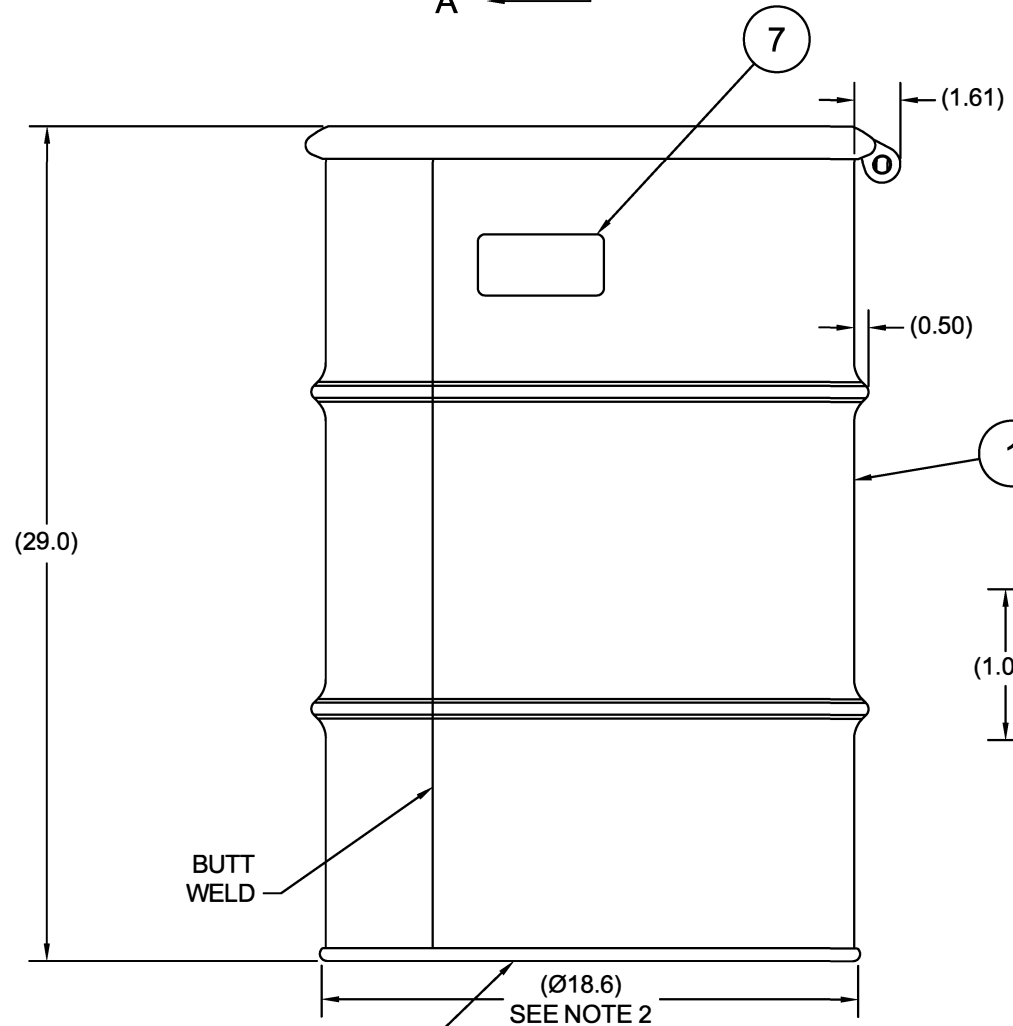
1. THIS DIMENSION REPRESENTS DRUM AFTER BEING PROPERLY ASSEMBLED AND CLOSED PER CLOSING INSTRUCTIONS
2. TO DETERMINE GREATER ACCURACY OF ANY DIAMETRIC DIMENSION, MEASURING OF CIRCUMFERENCE IS REQUIRED
3. CONSTRUCTION per 49 CFR §178.504 (b)

**MATERIAL:**

1. 304SS PER ASTM A240 OR EQUIVALENT
2. MATERIAL THICKNESS: COVER - 1.5mm (0.0543 - 0.0590;16 GAUGE), BODY/BOTTOM - 1.2mm (0.0433 - 0.0480;18 GAUGE)
3. GASKET MAT'L PER ASTM D1056
4. BOLT RING CARBON STEEL

**FINISH:**

1. PASSIVATED INNER AND OUTER SURFACE OF BODY WELD SEAM



ITEM	P/N	DESCRIPTION	QTY
7		UN DURABLE LABEL	1
6	NT5800	5/8-11UNC HEX JAM NUT	1
5	BT5840	5/8-11UNC X 4in LONG HEX HEAD BOLT	1
4	RBH1812	BOLT RING 20-30G 12 GA 5/8 LUG	1
3	GE2000	GASKET EPDM IN-COVER D	1
2	P1815S	COVER 18.25 ID DRUM 304SS	1
1		BODY/BOTTOM 30 GALLON DRUM 18.25 ID	1

BEST PRINTED ON B-SIZE PAPER

UN NUMBER EMBOSSED ON BOTTOM OF DRUM IN 1/2" CHARACTERS READING:  
 UN/1A2/X225/S/YR  
 UN/1A2/Y1.5/150/YR  
 1.5 - 1.2 - 1.2 \* 304

TARE WEIGHT:  
35 lbs

MFG JR	DRW LJT	CHK BL	<b>UNLESS STATED OTHERWISE</b> (DIMENSIONS IN PARENTHESIS ARE FOR REFERENCE ONLY!!!) ALL DIMENSIONS ARE IN INCHES DO NOT SCALE DRAWING TOLERANCES: FRACTIONS ±1/4		<b>The CARY COMPANY</b> Est. 1895 DESCRIPTION 30 GALLON OPEN HEAD DRUM 1.5 - 1.2 - 1.2 304SS 1A2/X225/S & 1A2/Y1.5/150
SLS	QA MD	X° ± 3° X.X ± 0.2 X.XX ± 0.10 X.XXX ± 0.030			
Petersen FILE CREATED IN AutoCAD 2002			REL. DATE	PART NUM. / FILENAME	REV A3