

IF YOU...



MIX IT. FILL IT. PACK IT. SHIP IT.

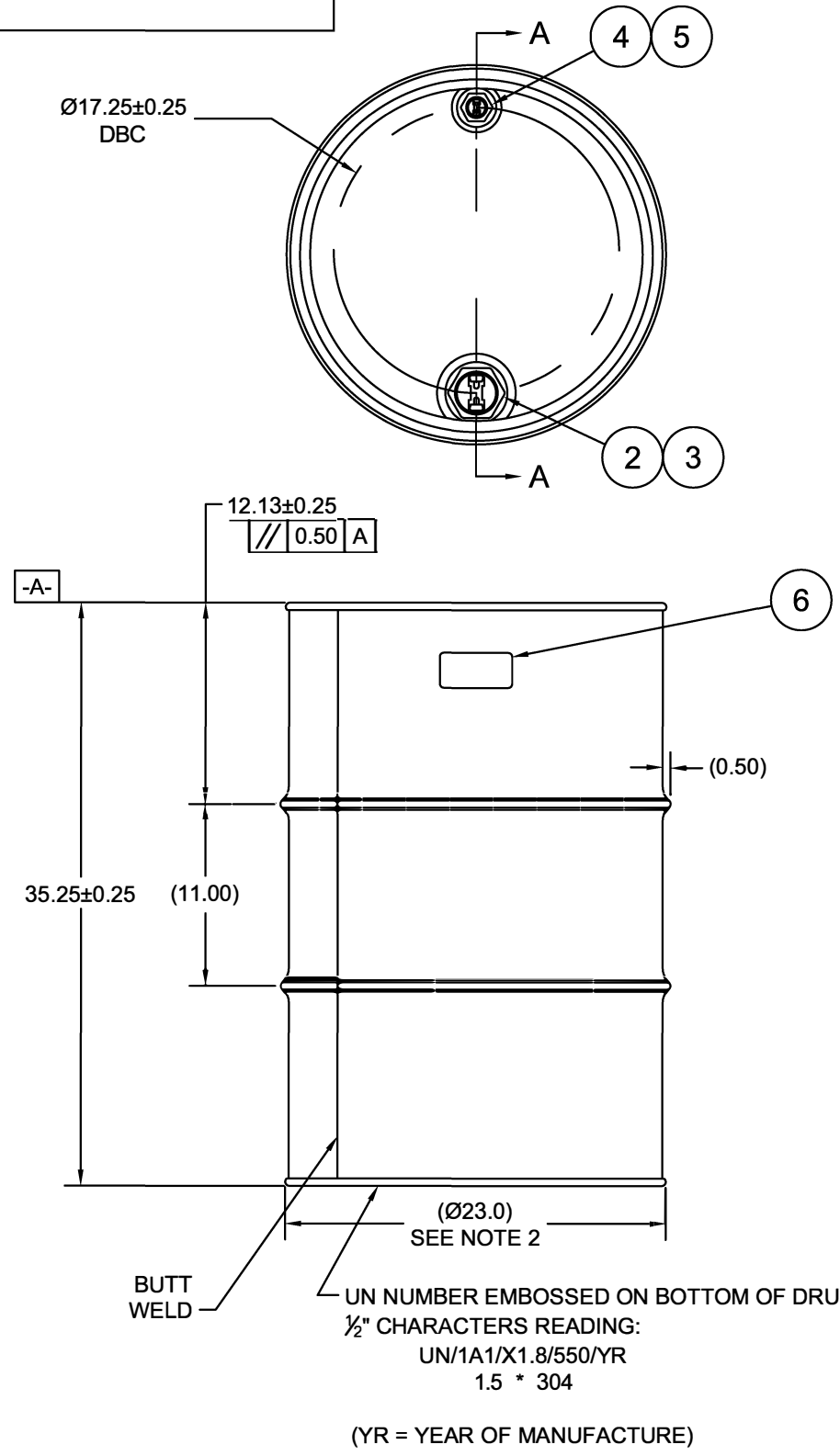
WE HAVE A PRODUCT FOR YOU



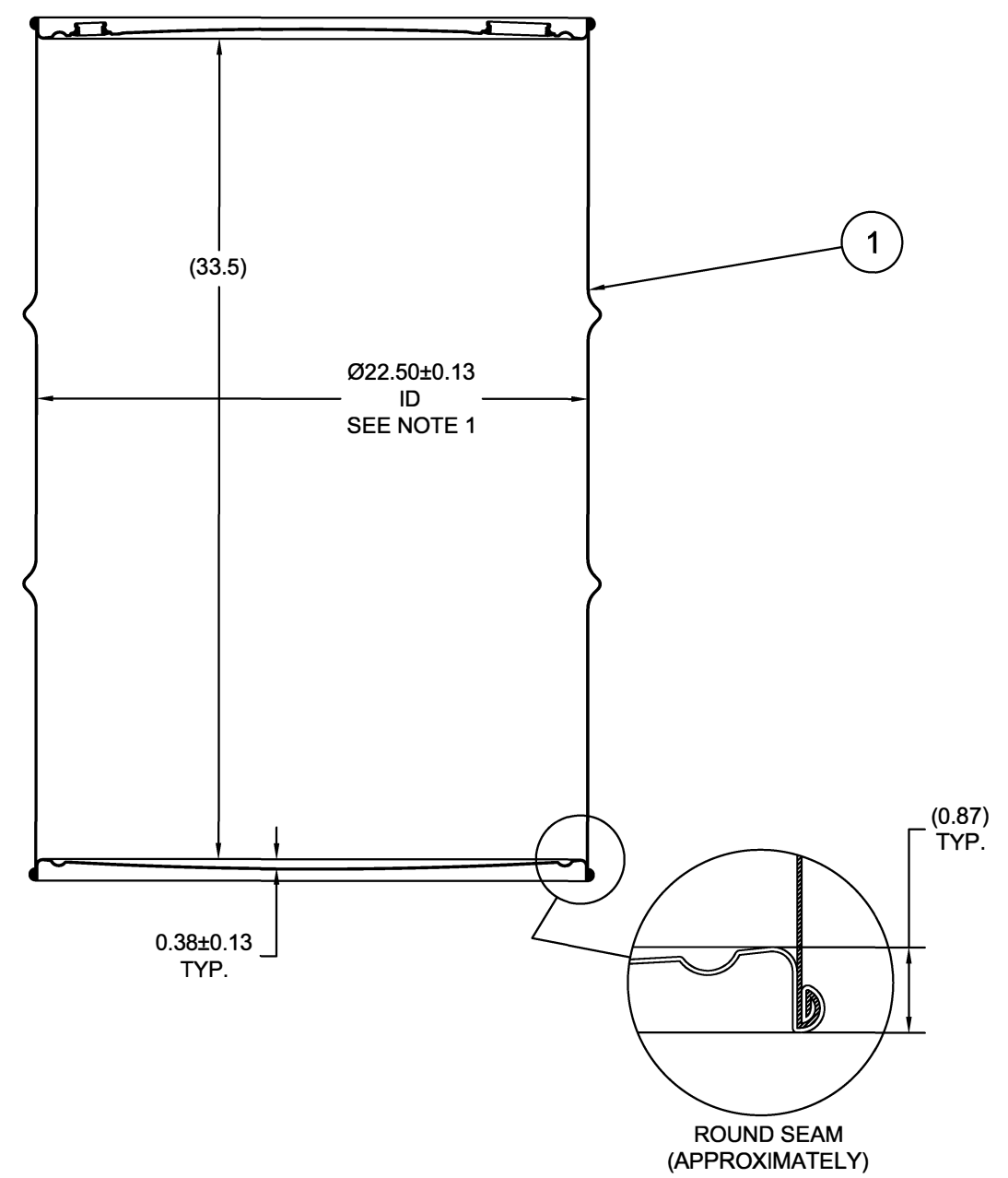
Part #	26BST6
Capacity	55 gal.
Color	Stainless Steel
Material	Stainless Steel (304)
Closure	Tight Head (Closed)
Steel Thickness	1.5/1.5/1.5 (Top/Body/Bottom)
Steel Gauge	16/16/16 (Top/Body/Bottom)
Fittings	2" NPT & 3/4" NPT
Gasket	Buna Gasket
Dimensions	22.5" Dia. x 33.5"H (inside) 23" Dia. x 35.25"H (outside)
Weight	60 lbs.
UN Rating Liquid	UN1A1/X1.8/550



ECN # or INIT	REV	DESCRIPTION	DATE
	A	RELEASED	01-OCT-2007
OE-004		CORRECTED STEEL THICKNESS	
OE-001	A1	CLERICAL ERROR	18-APR-2013



SECTION A-A
(FITTING SHOWN WITH PLUGS REMOVED)



NOTES:

1. TO DETERMINE GREATER ACCURACY OF ANY DIAMETRIC DIMENSION, MEASURING OF CIRCUMFERENCE IS REQUIRED
2. CONSTRUCTION per 49 CFR §178.504 (b)

MATERIAL:

1. 304SS PER ASTM A240 OR EQUIVALENT
2. MATERIAL THICKNESS: 1.5mm (0.0543 - 0.0590; 16 GAUGE)

FINISH:

1. PASSIVATED INNER AND OUTER SURFACE OF BODY WELD SEAM

6		UN DURABLE LABEL	1
5	PT3050	PLUG 3/4 TS 316SS BUNA GASKET	1
4	FT3050	FLANGE 3/4 TS 316SS BUNA GASKET	1
3	PT2050	PLUG 2 TS 316SS BUNA GASKET	1
2	FT2050	FLANGE 2 TS 316SS BUNA GASKET	1
1		55 GALLON TIGHT HEAD DRUM	1
ITEM	P/N	DESCRIPTION	QTY

MFG JR	DRW LJT	CHK LJT	UNLESS STATED OTHERWISE (DIMENSIONS IN PARENTHESIS ARE FOR REFERENCE ONLY!!!) ALL DIMENSIONS ARE IN INCHES DO NOT SCALE DRAWING TOLERANCES: FRACTIONS ±1/4
SLS	QA MD	X° ± 3°	
APR Jesse Sanchez		X.X ± 0.2	
FILE CREATED IN AutoCAD 2002	3 RD		X.XX ± 0.10 X.XXX ± 0.030

The **CARY COMPANY**
Est. 1895

DESCRIPTION
55 GALLON TIGHT HEAD DRUM
1.5 - 1.5 - 1.5 304SS STEEL
1A1/X1.8/550

REL. DATE PART NUM. / FILENAME REV
A1

TARE WEIGHT:
60 lbs