

IF YOU...



MIX IT. FILL IT. PACK IT. SHIP IT.

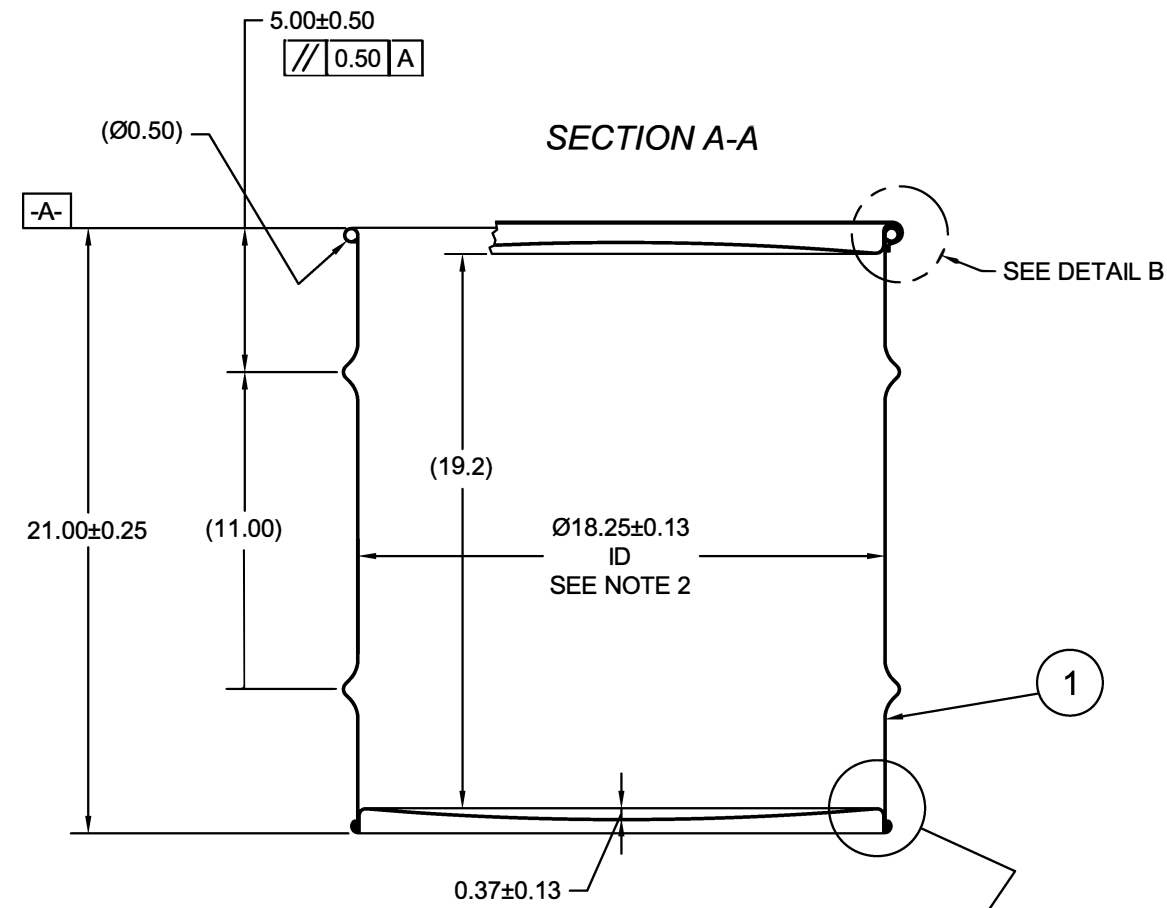
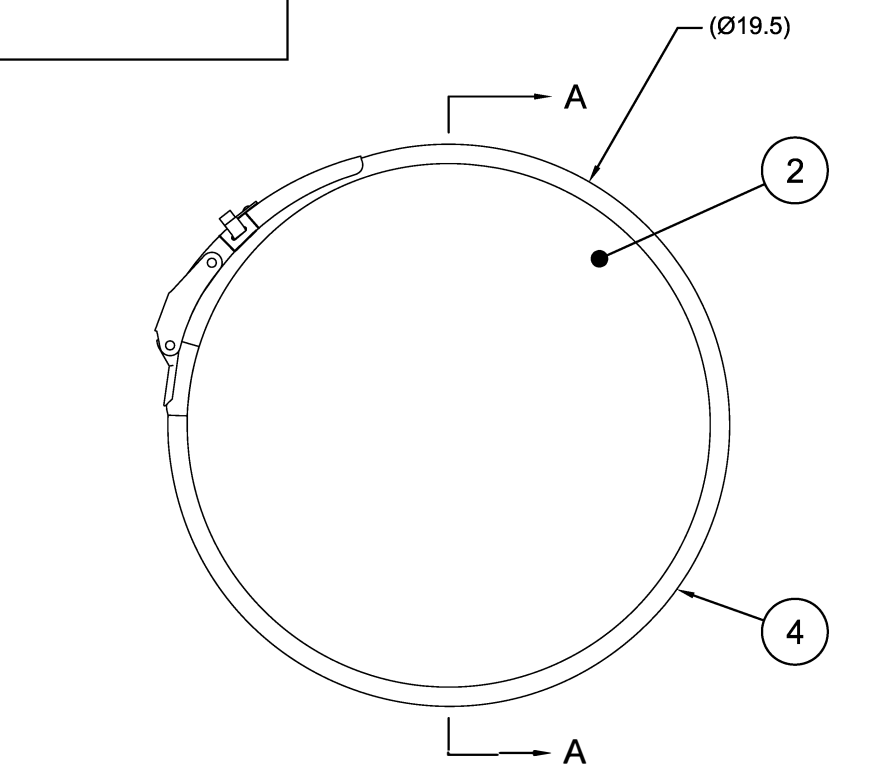
WE HAVE A **PRODUCT** FOR YOU



20 Gallon Steel Salvage Drum, Cover w/
Lever Lock Ring Closure

Part #	26BSV2
Capacity	20 Gal.
Condition	New
Color	Yellow
Material	Carbon Steel
Closure	Cover w/ Lever Lock Ring Closure
Lining	Rust Inhibitor Enamel
Steel Thickness	1.2/1.2/1.2 (Top/Body/Bottom)
Steel Gauge	18/18/18 (Top/Body/Bottom)
Gasket	EPDM Rubber Gasket
Dimensions	18.25" Dia. x 19.2" H (inside) 18.7" Dia. x 21.2" H (outside)
Weight	27 lbs.
UN Rating Solid	UN1A2/X220/S

ECN # or INIT	REV	DESCRIPTION	DATE
OE-005	A1	REDRAWN IN AutoCAD	31-JAN-2013
OE-001	A2	ADDED CHIME VIEW	29-APR-2013
OE-018	A3	WAS MULTI-LINGUAL SALVAGE LOGO	17-OCT-2016
17-001	A4	REMOVED LIQUID RATING	04-APR-2017



NOTES:

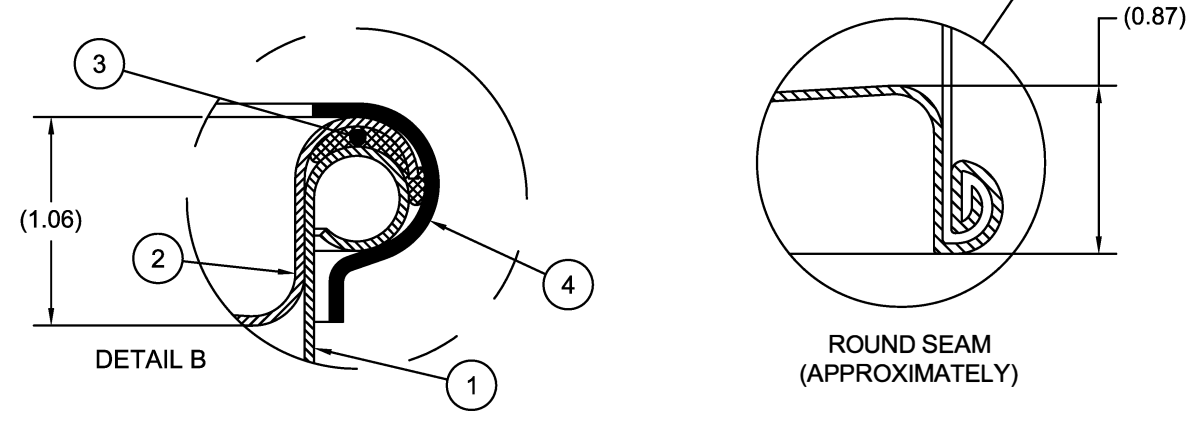
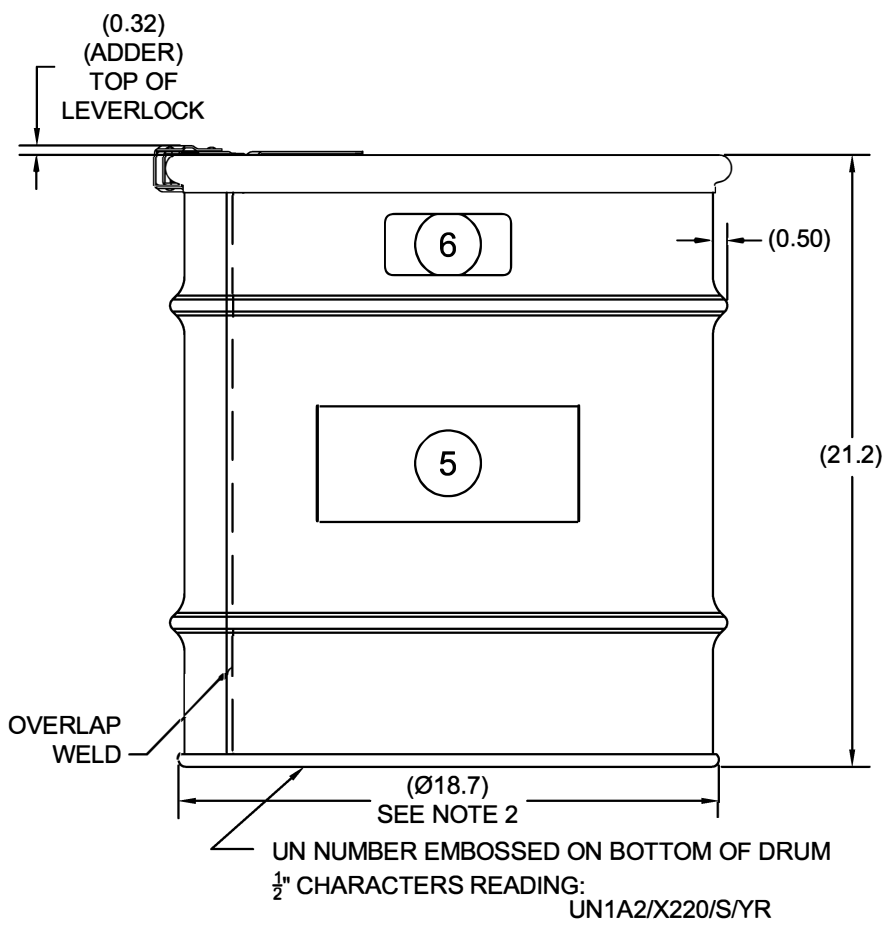
1. THESE DIMENSIONS REPRESENT DRUM AFTER BEING PROPERLY ASSEMBLED AND CLOSED PER CLOSING INSTRUCTIONS
2. TO DETERMINE GREATER ACCURACY OF ANY DIAMETRIC DIMENSION, MEASURING OF CIRCUMFERENCE IS REQUIRED
3. CONSTRUCTION per 49 CFR §178.504 (b)

MATERIAL:

1. DRUM BODY AND COVER CRCQ CARBON STEEL PER ASTM A1008 AND ASTM A568
2. MATERIAL THICKNESS 1.2mm (0.0433 - 0.0480; 18 GAUGE)
3. GASKET MAT'L PER ASTM D1056

FINISH:

1. DRUM BODY/BOTTOM EXTERIOR PAINTED YELLOW (LQ10024)
COVER EXTERIOR PAINTED RED (LQ10017)



ITEM	P/N	DESCRIPTION	QTY
6		UN DURABLE LABEL	1
5	LS1000	LOGO SALVAGE DRUM	1
4	RQ2013	20/30 GAL OUTSIDE LEVERLOCK RING	1
3	GE2000	GASKET EPDM IN-COVER D	1
2	P1812	COVER, Ø18.25 DRUM, CRCQ STEEL	1
1		BODY/BOTTOM 20 GALLON Ø18.25 ID	1

BEST PRINTED ON B-SIZE PAPER

1.2 *
(YR = YEAR OF MANUFACTURE)

TARE WEIGHT:
27 lbs

**APPROVAL
ON FILE**

FILE CREATED IN
AutoCAD

UNLESS STATED OTHERWISE

(DIMENSIONS IN PARENTHESIS ARE FOR REFERENCE ONLY!!!)
ALL DIMENSIONS ARE IN INCHES
DO NOT SCALE DRAWING
TOLERANCES:
FRACTIONS ±1/4
X° ± 3°
X.X ± 0.2
X.XX ± 0.10
X.XXX ± 0.030

The **CARY COMPANY** Est. 1895

DESCRIPTION
20 GALLON OPEN HEAD DRUM
1.2 - 1.2 - 1.2 CRCQ
1A2/X220/S

REL. DATE	PART NUM. / FILENAME	REV
-		A4