

# IF YOU...



MIX IT. FILL IT. PACK IT. SHIP IT.

## WE HAVE A PRODUCT FOR YOU



8 Gallon Steel Salvage Drum, Cover w/Lever Lock Ring Closure

Part #	26BSV9
Capacity	8 gal.
Condition	New
Color	Yellow
Material	Carbon Steel
Closure	Cover w/ Lever Lock Ring Closure
Lining	Rust Inhibitor Enamel
Steel Thickness	0.9/0.9/0.9 (Top/Body/Bottom)
Steel Gauge	20/20/20 (Top/Body/Bottom)
Gasket	EPDM Rubber Gasket
Dimensions	14"Dia. x 14.4"H (inside) 14.3"Dia. x 15.9"H (outside)
Weight	14 lbs.
UN Rating Solid	UN1A2/X96/S

ECN # or INIT	REV	DESCRIPTION	DATE
OE-005	A1	REDRAWN TO AutoCAD	17-DEC-2012
OE-001	A2	CLERICAL ERROR	12-APR-2013
		CORRECTED RING PROFILE & ADDED CHIME VIEW &	
OE-013	A3	REVISED HOOP PROFILE	19-APR-2013
OE-001	A4	CLERICAL ERROR	22-APR-2013
OE-018	A5	WAS MULTI-LINGUAL SALVAGE LOGO	14-OCT-2016
17-001	A6	REMOVED LIQUID RATING	06-APR-2017
17-003	B	COVER WAS 18GA	14-SEP-2017

**NOTES:**

1. THESE DIMENSIONS REPRESENT DRUM AFTER BEING PROPERLY ASSEMBLED AND CLOSED PER CLOSING INSTRUCTIONS.
2. TO DETERMINE GREATER ACCURACY OF ANY DIAMETRIC DIMENSION, MEASURING OF CIRCUMFERENCE IS REQUIRED
3. CONSTRUCTION per 49 CFR § 178.504 (b)

**MATERIAL:**

1. DRUM BODY AND COVER CRCQ CARBON STEEL PER ASTM A1008 AND ASTM A568
2. MATERIAL THICKNESS: 0.9mm (0.0319 - 0.0370, 20 GAUGE)
3. GASKET MAT'L PER ASTM D1056

**FINISH:**

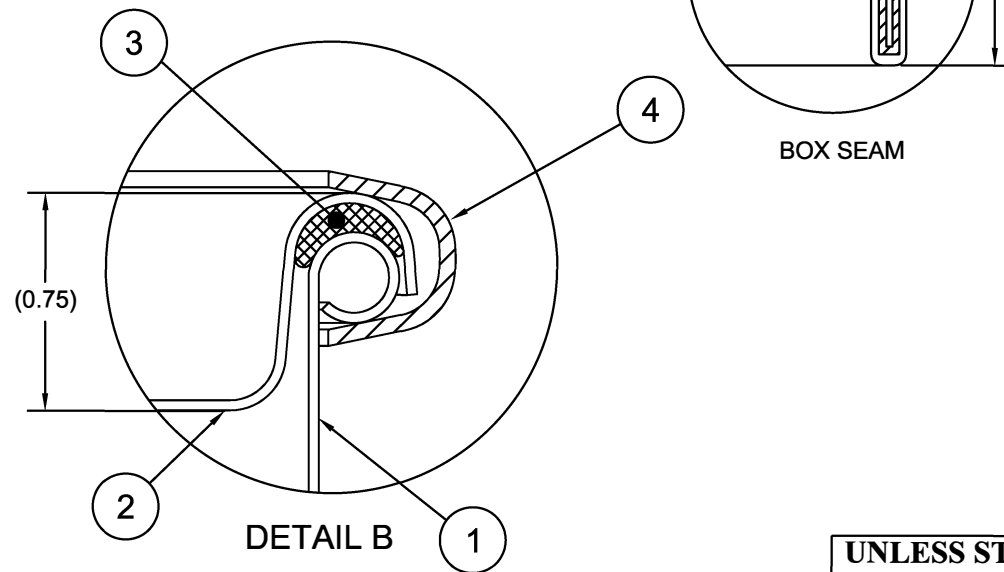
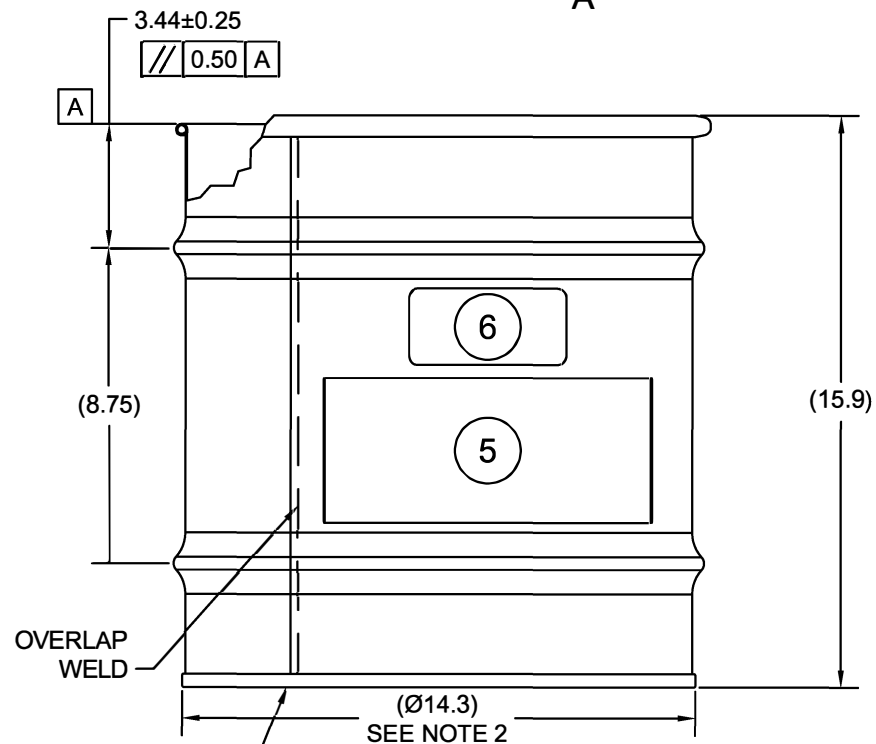
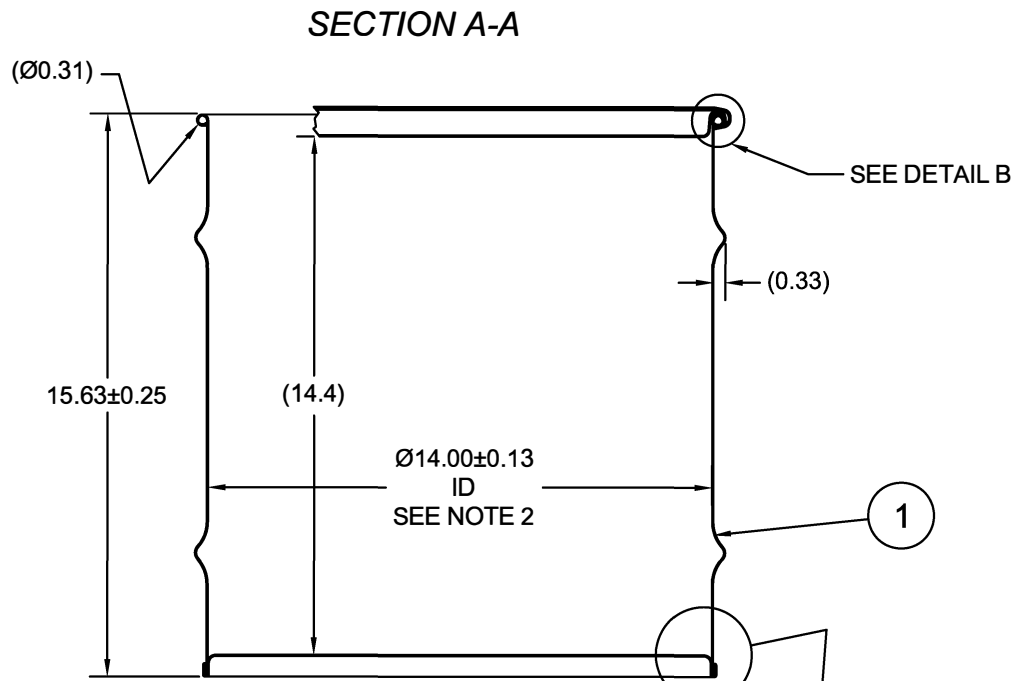
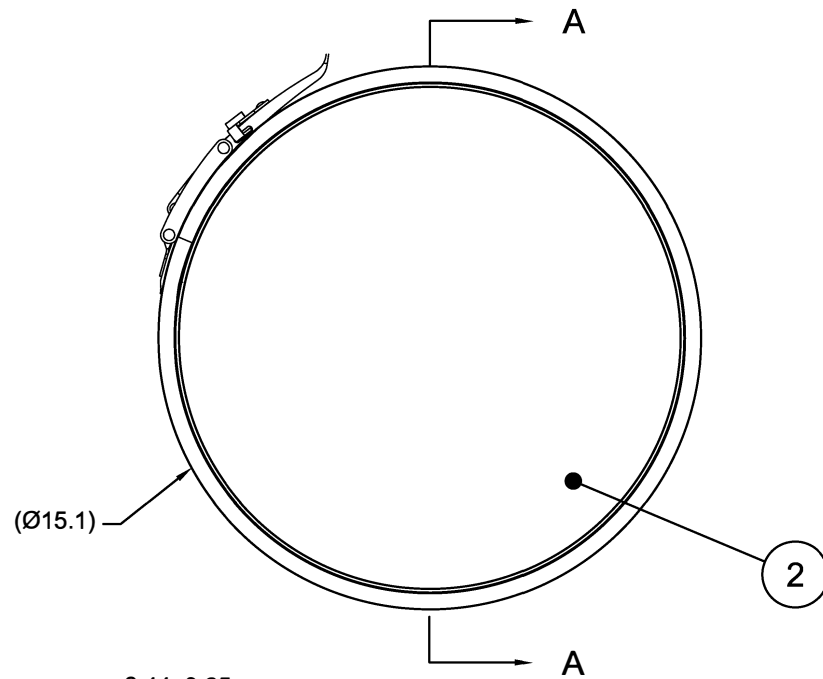
1. COVER EXTERIOR PAINTED RED (LQ10017)
- DRUM BODY/BOTTOM EXTERIOR PAINTED YELLOW (LQ10024)

**REFERENCE:**

1. UN RATING 'UMBRELLA', 49 CFR § 178.601 (g)(3) for HM1002Q

6		UN DURABLE LABEL	1
5	LS1000	LOGO SALVAGE DRUM	1
4	RQ0516	14 DIA QUICK LEVERLOCK RING	1
3	GE0503-01	GASKET, EPDM, Ø3/8	1
2	P1409	COVER, Ø14.00 DRUM, CRCQ STEEL	1
1		BODY/BOTTOM 8 GALLON DRUM 14 ID	1
ITEM	P/N	DESCRIPTION	QTY

B



OVERLAP WELD

UN NUMBER EMBOSSED ON BOTTOM OF DRUM  
 1/2" CHARACTERS :  
 UN/1A2/X96/S/YR

B 0.9 \*

TARE WEIGHT:  
14 lbs

**APPROVAL  
ON FILE**

FILE CREATED IN  
AutoCAD

**UNLESS STATED OTHERWISE**

(DIMENSIONS IN PARENTHESIS ARE FOR  
REFERENCE ONLY!!!)

ALL DIMENSIONS ARE IN INCHES  
DO NOT SCALE DRAWING

TOLERANCES:  
FRACTIONS ±1/4

X° ± 3°  
X.X ± 0.2  
X.XX ± 0.10  
X.XXX ± 0.030

The  
**CARY COMPANY**  
Est. 1895

DESCRIPTION  
8 GALLON OPEN HEAD DRUM  
0.9 - 0.9 - 0.9 CRCQ STEEL  
1A2/X96/S

REL. DATE

PART NUM. / FILENAME

REV

-

HM0802Q

B