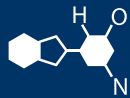


IF YOU...



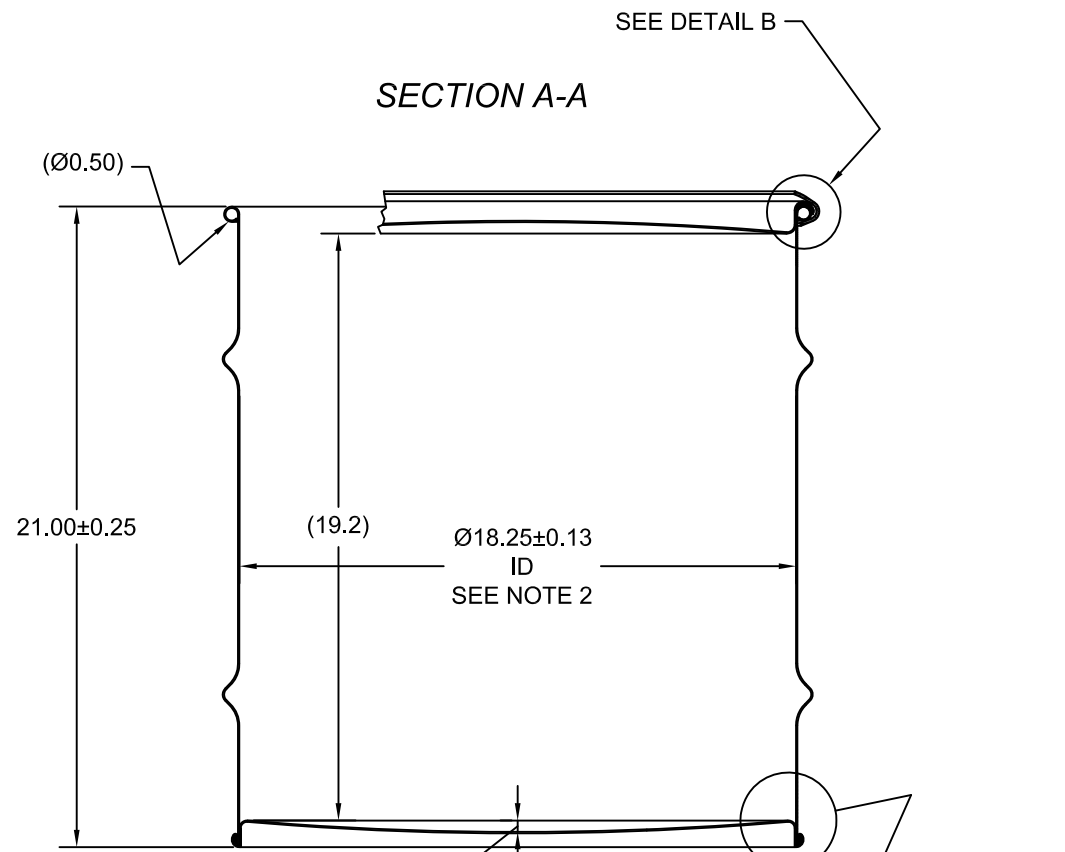
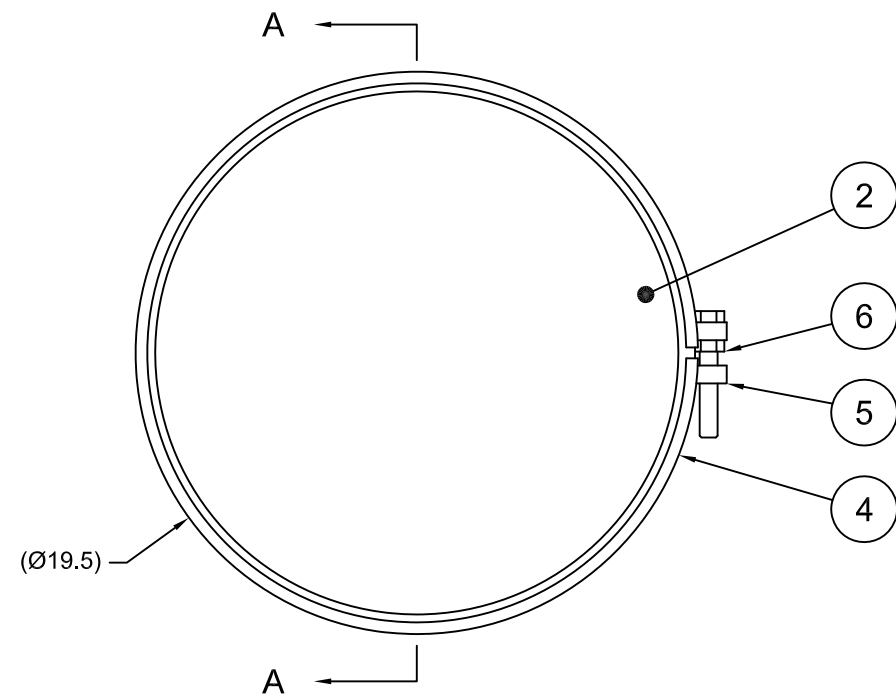
MIX IT. FILL IT. PACK IT. SHIP IT.

WE HAVE A **PRODUCT** FOR YOU

Part # 26BT12



| ECN # or INIT | REV | DESCRIPTION | DATE |
|---------------|-----|---------------------------------------|-------------|
| OE-005 | A1 | REDRAWN TO AutoCAD | 29-MAR-2012 |
| | | CORRECTED EMBOSSEMENT & | |
| OE-001 | A2 | REMOVED LINING NOTE & CORRECTED COLOR | 06-SEP-2012 |
| OE-001 | A3 | ADDED CHIME PROFILE | 24-APR-2013 |



NOTES:

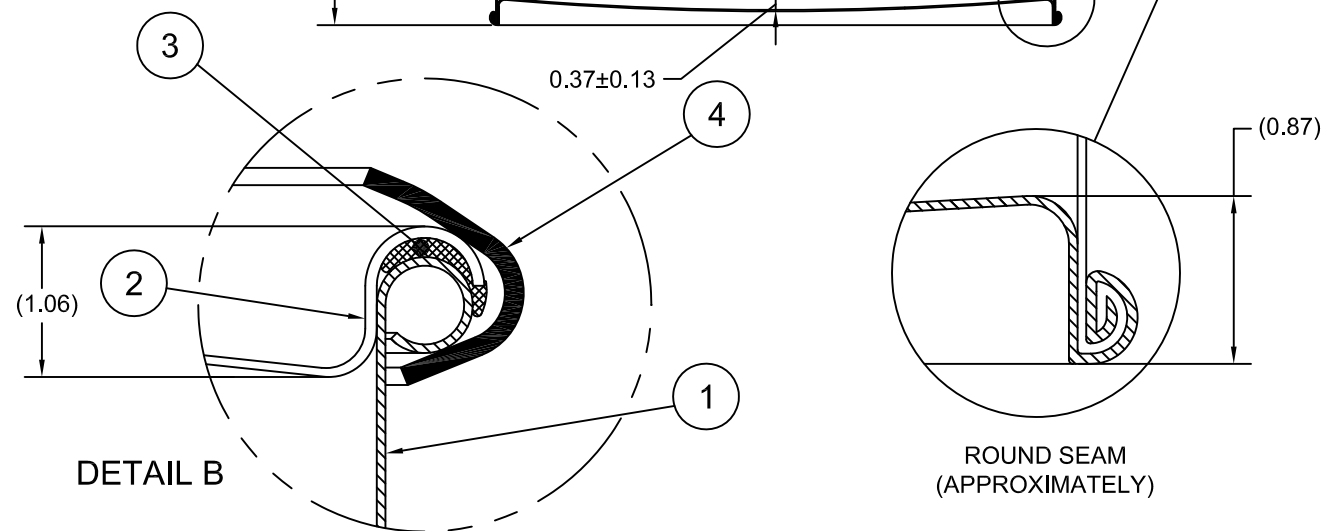
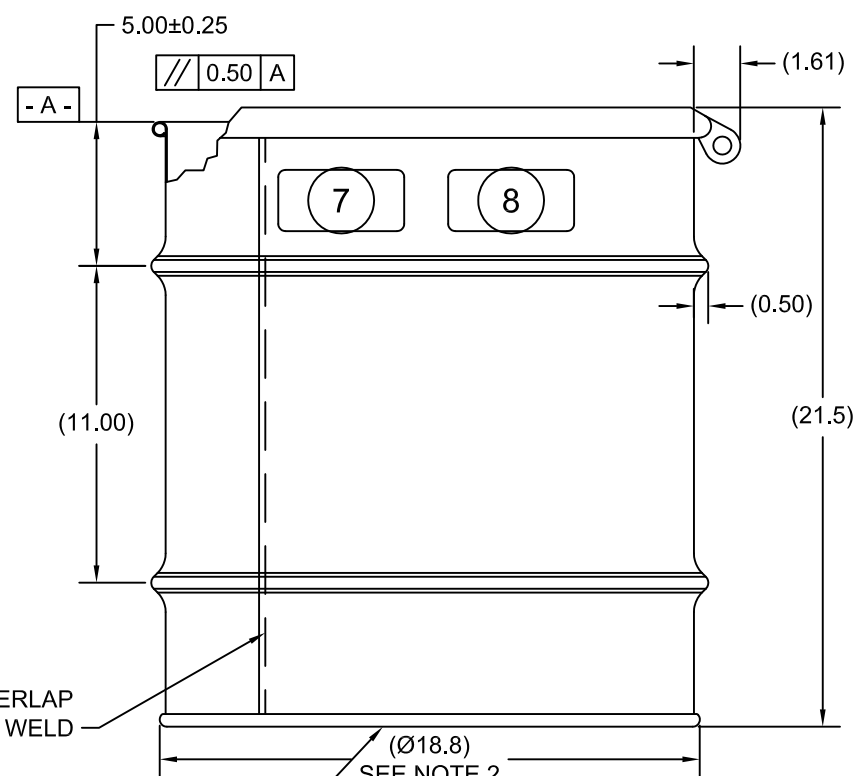
1. THIS DIMENSION REPRESENTS DRUM AFTER BEING PROPERLY ASSEMBLED AND CLOSED PER CLOSING INSTRUCTIONS
2. TO DETERMINE GREATER ACCURACY OF ANY DIAMETRIC DIMENSION, MEASURING OF CIRCUMFERENCE IS REQUIRED
3. CONSTRUCTION per 49 CFR § 178.504 (b)

MATERIAL:

1. CRCQ CARBON STEEL PER ASTM A1008 AND ASTM A568 OR EQUIVALENT
2. MATERIAL THICKNESS: 1.5mm (0.0543 - 0.0590; 16 GAUGE)
3. GASKET MAT'L PER ASTM D1056

FINISH:

1. DRUM EXTERIOR PAINTED BLACK (LQ10003)
- COVER EXTERIOR PAINTED RED (LQ10017)



| ITEM | ITEM | DESCRIPTION | QTY |
|------|---------|------------------------------------|-----|
| 8 | | UN DURABLE LABEL | 1 |
| 7 | | DURABLE LABEL, "+ 15 PSI" | 1 |
| 6 | NT5800 | 5/8-11UNC HEX JAM NUT | 1 |
| 5 | BT5840 | 5/8-11UNC X 4in LONG HEX HEAD BOLT | 1 |
| 4 | RBH1812 | BOLT RING (HP) 20-30G 12GA 5/8 LUG | 1 |
| 3 | GE2000 | GASKET IN-COVER D EPDM | 1 |
| 2 | P1815 | COVER, Ø18.25 ID CRCQ STEEL | 1 |
| 1 | | 20 GALLON DRUM BODY AND BOTTOM | 1 |

UN NUMBER EMBOSSED ON BOTTOM OF DRUM
 ½" CHARACTERS READING:
 UN/1A2/X195/S/YR
 UN/1A2/Y1.5/200/YR
 1.5 *
 (YR = YEAR OF MANUFACTURE)

TARE WEIGHT:
34 lbs

BEST PRINTED ON B-SIZE PAPER

| | | | |
|---------------------------------|-----------------|-----------|--|
| MFG BR | DRW LJT | CHK JG | UNLESS STATED OTHERWISE (DIMENSIONS IN PARENTHESIS ARE FOR REFERENCE ONLY!!!) ALL DIMENSIONS ARE IN INCHES DO NOT SCALE DRAWING TOLERANCES: FRACTIONS ±1/4 X° ± 3° X.X ± 0.2 X.XX ± 0.10 X.XXX ± 0.030 |
| SLS DR | QA MD | | |
| APR G. Petersen | | | |
| FILE CREATED IN AutoCAD 2002 | 3 RD | | |

The
CARY COMPANY
Est. 1895

DESCRIPTION
20 GALLON OPEN HEAD DRUM
1.5 - 1.5 - 1.5 CRCQ
1A2/X195/S & 1A2/Y1.5/200

| | | |
|--------------------------|------------------------------|-----------|
| REL. DATE 29-MAR-2012 | PART NUM./FILENAME PH2001 | REV A3 |
|--------------------------|------------------------------|-----------|