

# IF YOU...



MIX IT. FILL IT. PACK IT. SHIP IT.

# WE HAVE A **PRODUCT** FOR YOU

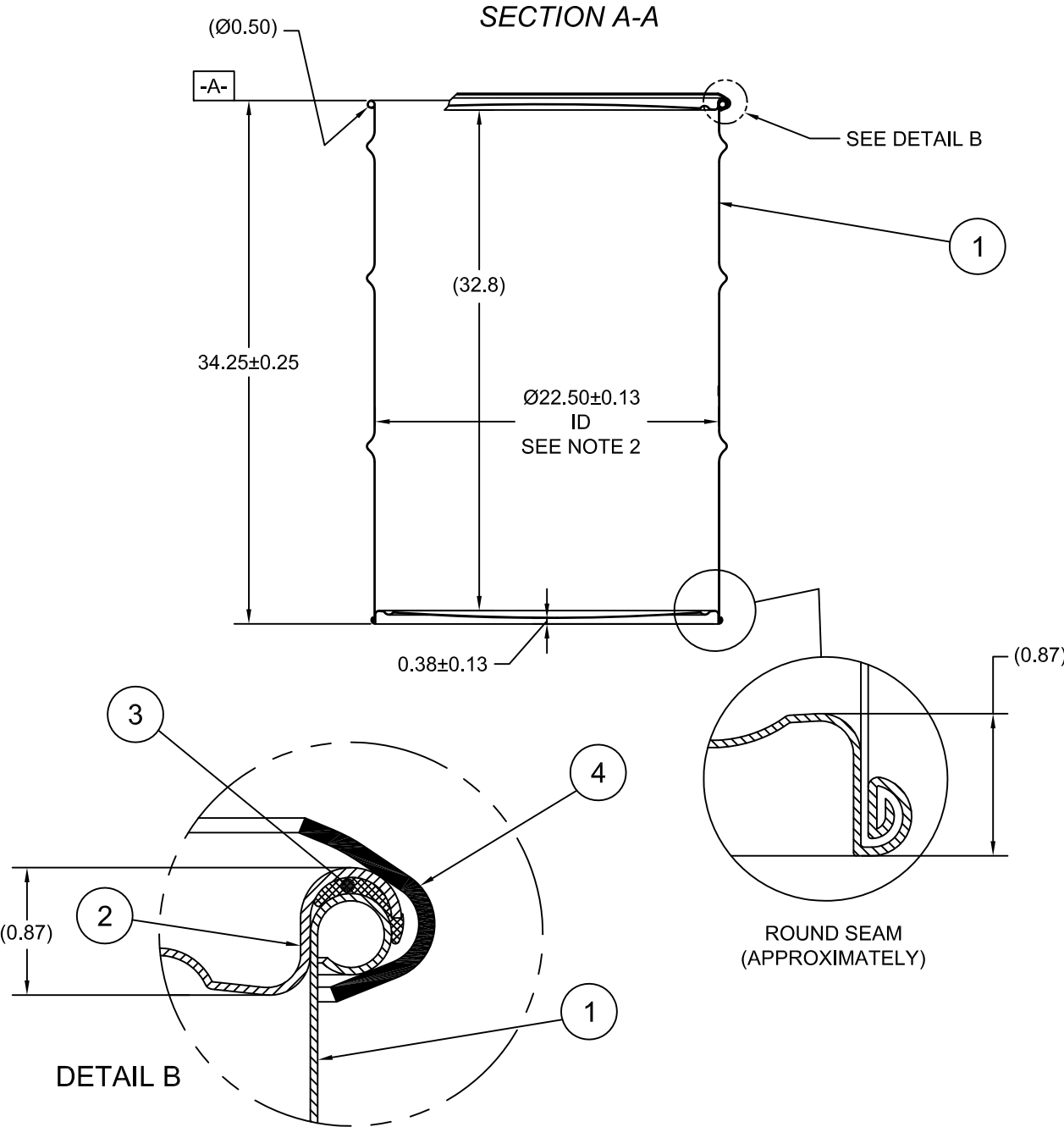
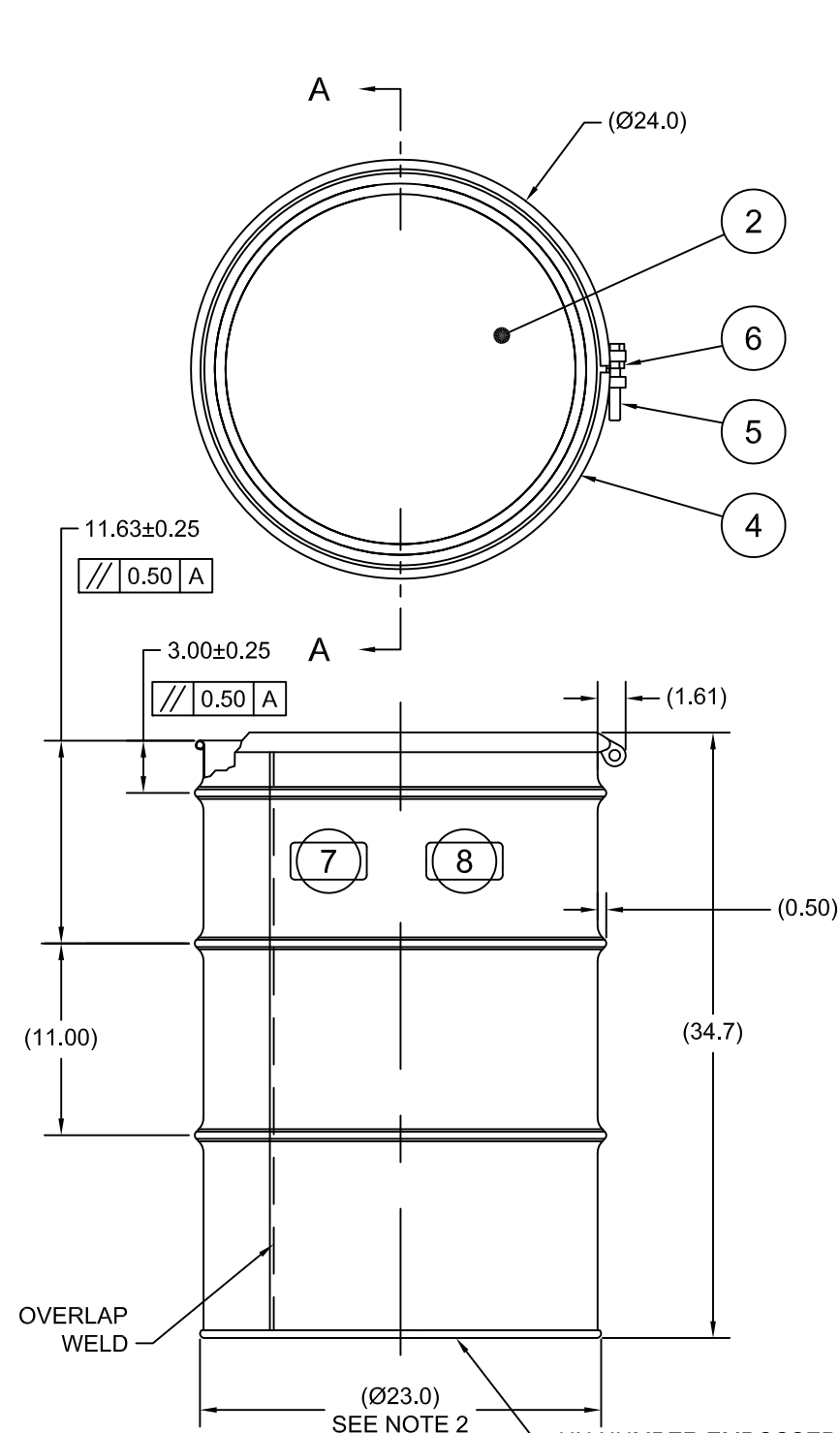
Part # 26BT15

---

---



ECN # or INIT	REV	DESCRIPTION	DATE
OE-005	A1	REDRAWN TO AutoCAD	25-FEB-2013
OE-001	A2	ADDED CHIME PROFILE	26-APR-2013



**NOTES:**

1. THESE DIMENSIONS REPRESENT DRUM AFTER BEING PROPERLY ASSEMBLED AND CLOSED PER CLOSING INSTRUCTIONS
2. TO DETERMINE GREATER ACCURACY OF ANY DIAMETRIC DIMENSION, MEASURING OF CIRCUMFERENCE IS REQUIRED
3. CONSTRUCTION per 49 CFR §178.504 (b)

**MATERIAL:**

1. DRUM BODY AND COVER CRCQ CARBON STEEL PER ASTM A1008 AND ASTM A568 OR EQUIVALENT
2. MATERIAL THICKNESS 1.5mm (0.0543 - 0.0590; 16 GAUGE)
3. GASKET MAT'L PER ASTM D1056

**FINISH:**

1. DRUM BODY/BOTTOM EXTERIOR PAINTED BLACK (LQ10003)  
COVER EXTERIOR PAINTED RED (LQ10017)

ITEM	P/N	DESCRIPTION	QTY
8		UN DURABLE LABEL	1
7		DURABLE LABEL, "+ 15 PSI"	1
6	NT5800	5/8-11UNC HEX JAM NUT	1
5	BT5840	5/8-11 X 4in LONG HEX HEAD BOLT	1
4	RBH2212	BOLT RING (HP) 55G 12GA 5/8 LUG	1
3	GE5500	GASKET D EPDM-BLACK	1
2	P2215	COVER 22.5 ID	1
1		BODY/BOTTOM 55 GALLON DRUM 22.5 ID	1

BEST PRINTED ON B-SIZE PAPER

(YR = YEAR OF MANUFACTURE)

TARE WEIGHT:  
60 lbs

MFG BR	DRW LJT	CHK JG
SLS DR	QA MD	
APR G. Petersen		
FILE CREATED IN AutoCAD 2002		

**UNLESS STATED OTHERWISE**  
(DIMENSIONS IN PARENTHESIS ARE FOR REFERENCE ONLY!!!)  
ALL DIMENSIONS ARE IN INCHES  
DO NOT SCALE DRAWING  
TOLERANCES:  
FRACTIONS  $\pm 1/4$   
 $X^\circ \pm 3^\circ$   
 $X.X \pm 0.2$   
 $X.XX \pm 0.10$   
 $X.XXX \pm 0.030$

The **CARY COMPANY**  
Est. 1895

DESCRIPTION  
55 GALLON OPEN HEAD DRUM  
1.5 - 1.5 - 1.5 CRCQ  
1A2/X430/S & 1A2/Y1.5/175

REL. DATE -	PART NUM. / FILENAME PH5501	REV A2
----------------	--------------------------------	-----------