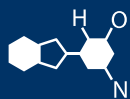


IF YOU...



MIX IT. FILL IT. PACK IT. SHIP IT.

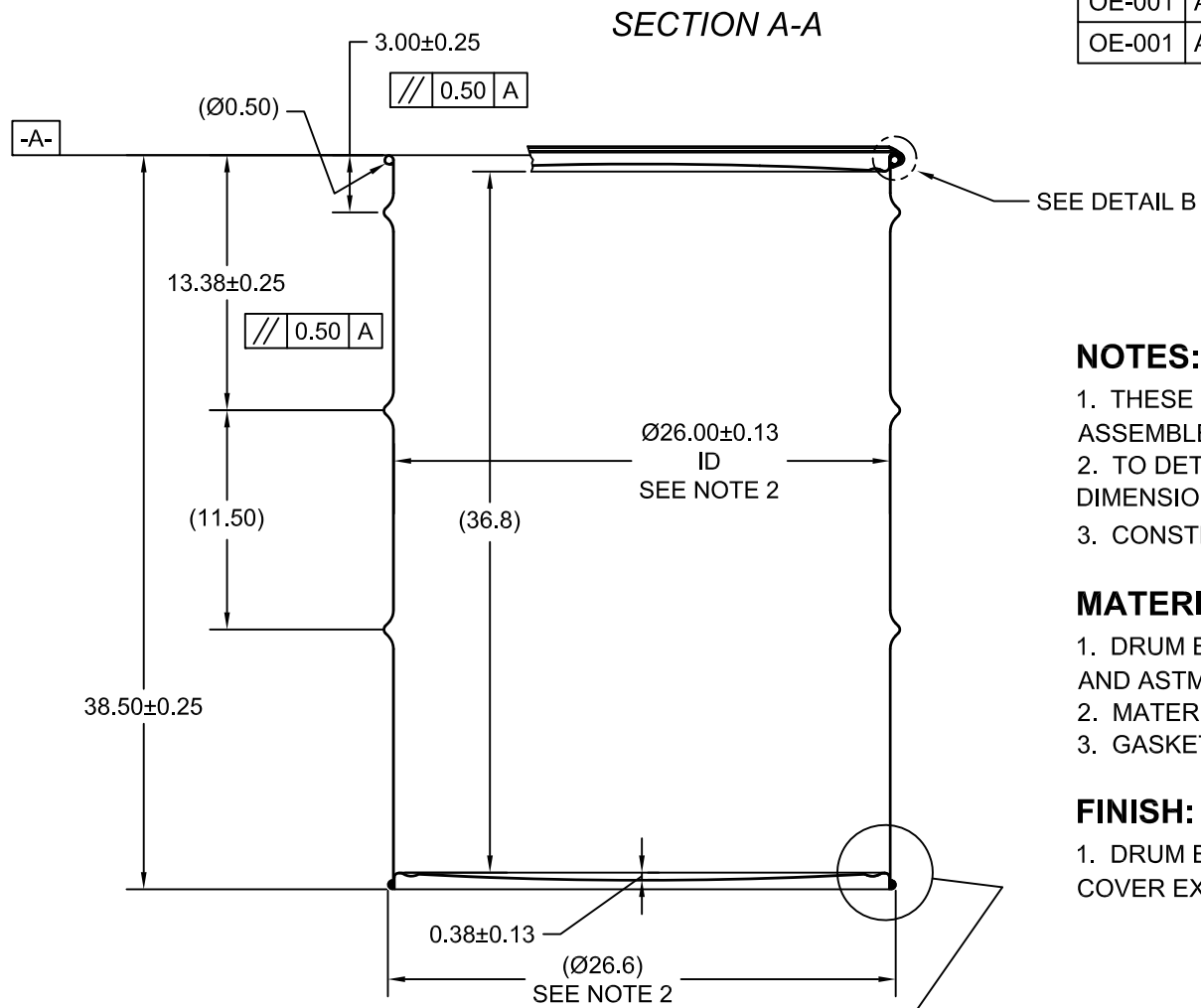
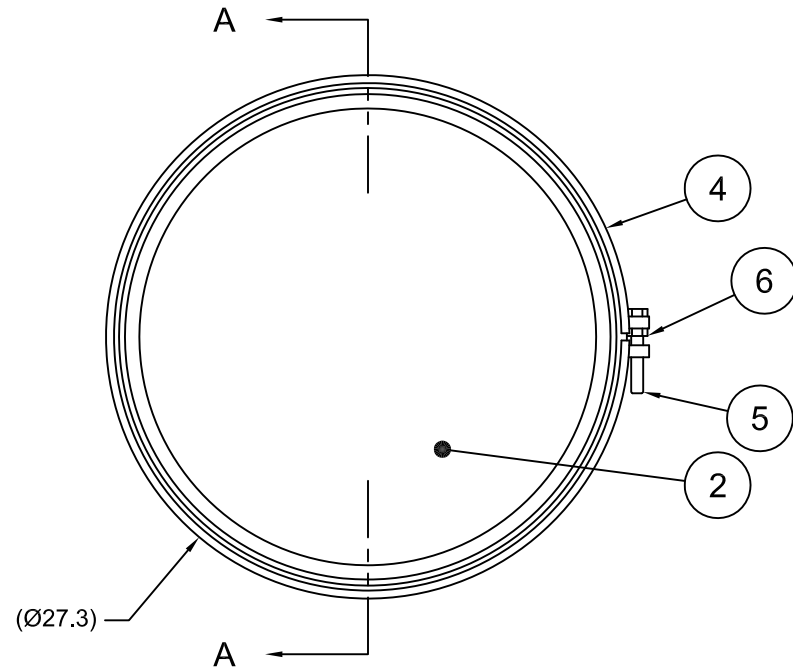
WE HAVE A **PRODUCT** FOR YOU

Part # 26BT18



PH8501

ECN # or INIT	REV	DESCRIPTION	DATE
OE-005	A1	REDRAWN TO AutoCAD	25-FEB-2013
OE-001	A2	ADDED CURL DIMENSION	11-APR-2013
OE-001	A3	ADDED CHIME PROFILE	26-APR-2013



NOTES:

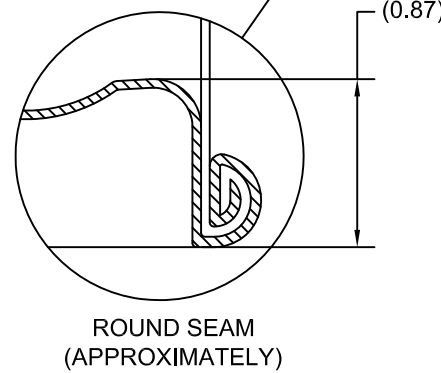
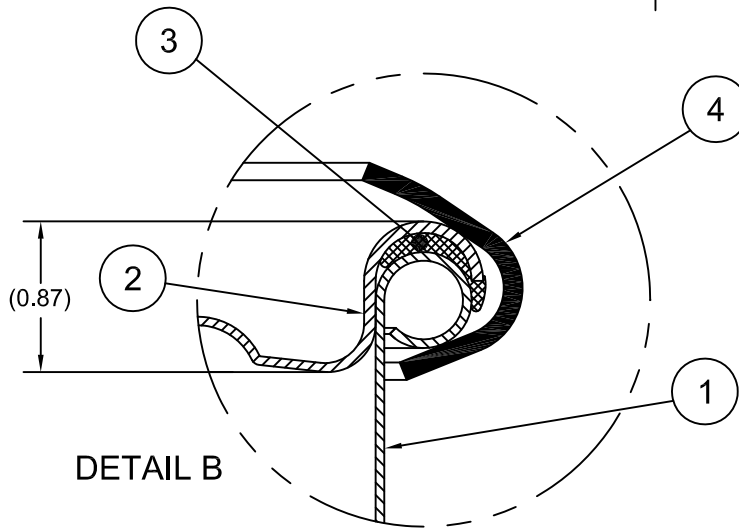
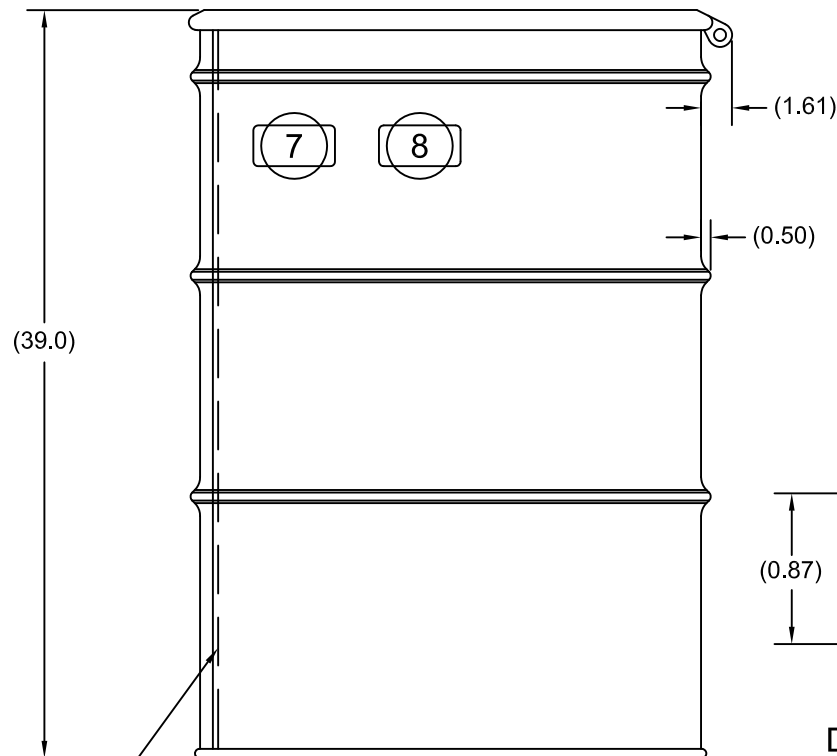
1. THESE DIMENSIONS REPRESENT DRUM AFTER BEING PROPERLY ASSEMBLED AND CLOSED PER CLOSING INSTRUCTIONS
2. TO DETERMINE GREATER ACCURACY OF ANY DIAMETRIC DIMENSION, MEASURING OF CIRCUMFERENCE IS REQUIRED
3. CONSTRUCTION per 49 CFR § 178.504 (b)

MATERIAL:

1. DRUM BODY AND COVER CRCQ CARBON STEEL PER ASTM A1008 AND ASTM A568 OR OR EQUIVALENT
2. MATERIAL THICKNESS 1.5mm (0.0543 - 0.0590; 16 GAUGE).
3. GASKET MAT'L PER ASTM D1056.

FINISH:

1. DRUM BODY EXTERIOR PAINTED BLACK (LQ10003)
COVER EXTERIOR PAINTED RED (LQ10017)



ITEM	P/N	DESCRIPTION	QTY
8		UN DURABLE LABEL	1
7		DURABLE LABEL, "+ 15 PSI"	1
6	NT5800	5/8-11UNC HEX JAM NUT	1
5	BT5840	BOLT 5/8-11UNC X 4 HEX HEAD BOLT	1
4	RBH2612	BOLT RING 79-96G 12 GA 5/8 LUG	1
3	GE8500	GASKET EPDM IN-COVER 'D' BLACK	1
2	P2615	COVER Ø26 ID CRCQ STEEL	1
1		BODY/BOTTOM 85 GALLON DRUM Ø26 ID	1

OVERLAP WELD

UN NUMBER EMBOSSED ON BOTTOM OF DRUM
1/2" CHARACTERS READING:
UN/1A2/X440/S/YR
UN/1A2T/Y320/S/YR
1.5 *

TARE WEIGHT:
82 lbs

BEST PRINTED ON B-SIZE PAPER

(YR = YEAR OF MANUFACTURE)

MFG BR	DRW LJT	CHK JG
SLS DR	QA MD	
APR G. Petersen		
FILE CREATED IN AutoCAD 2002	3 RD	

UNLESS STATED OTHERWISE
(DIMENSIONS IN PARENTHESIS ARE FOR REFERENCE ONLY!!!)
ALL DIMENSIONS ARE IN INCHES
DO NOT SCALE DRAWING
TOLERANCES:
FRACTIONS ±1/4
X° ± 3°
X.X ± 0.2
X.XX ± 0.10
X.XXX ± 0.030

The
CARY COMPANY
Est. 1895

DESCRIPTION
85 GALLON OPEN HEAD DRUM
1.5 - 1.5 - 1.5 CRCQ
1A2/X440/S & 1A2T/Y320/S

REL. DATE -	PART NUM. / FILENAME PH8501	REV A3
----------------	--------------------------------	-----------