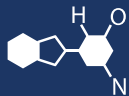


IF YOU...



MIX IT. FILL IT. PACK IT. SHIP IT.

WE HAVE A PRODUCT FOR YOU

Part #: 26BV00

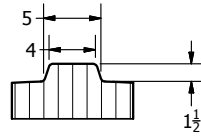
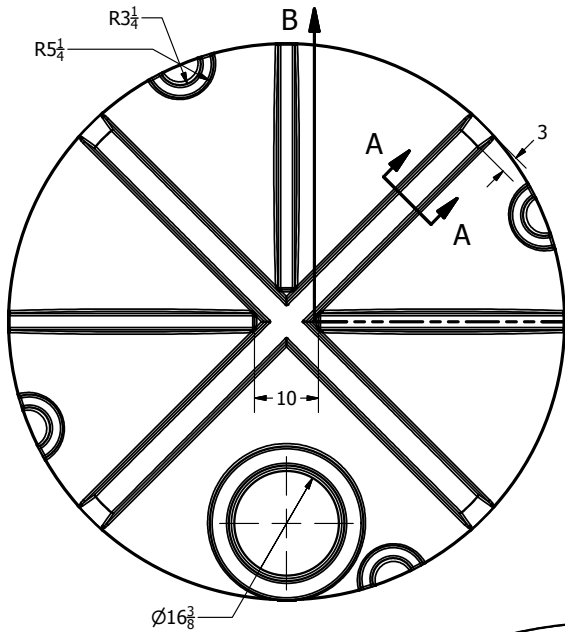
Vertical Storage Tanks

1,550 Gallon White HDPE Vertical Storage Tank

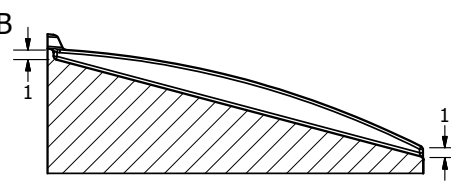


The
CARYCOMPANY
Est. 1895

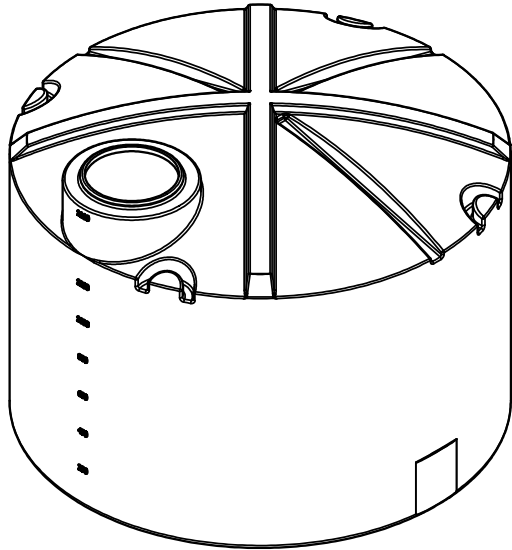
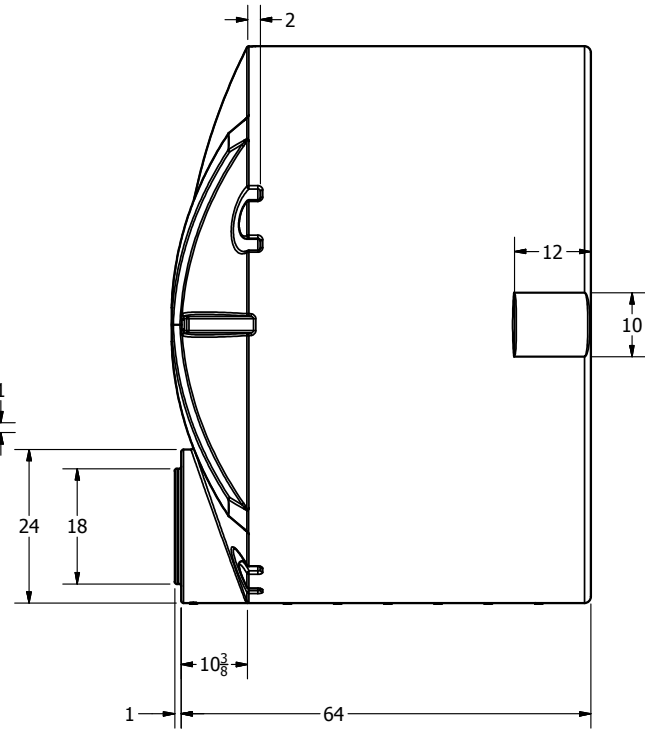
1195 W. Fullerton Ave. | Addison, IL 60101 | T: 630.629.6600 | F: 630.629.3690 |



SECTION A-A
SCALE 1:10



SECTION B-B
SCALE 1:12



REVISION HISTORY			
REV	DESCRIPTION	DATE	AUTHOR
A	REDRAWN	7/9/2013	Michael Holden
DRAWN	Jerry Paulson	11/6/2000	The CARY COMPANY <small>Est. 1895</small>
CHECKED			
QA			
MFG			
APPROVED			
TITLE		1550 GALLON VERTICAL TANK W/ GUSSET DOME	
SIZE	B	DWG NO	REV A
SCALE: 1/16		SHEET 1 OF 1	