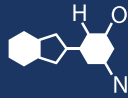


# IF YOU...



MIX IT. FILL IT. PACK IT. SHIP IT.

# WE HAVE A **PRODUCT** FOR YOU

Part #: 26BV07

---

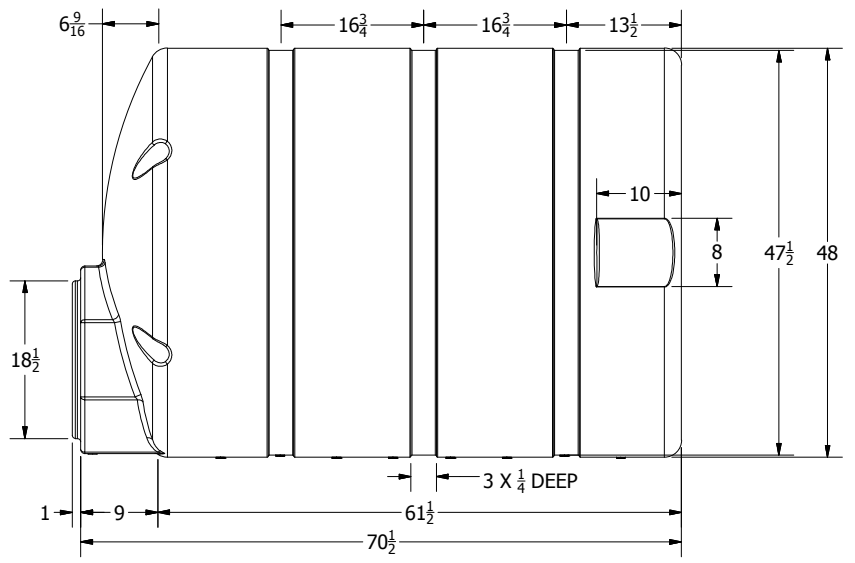
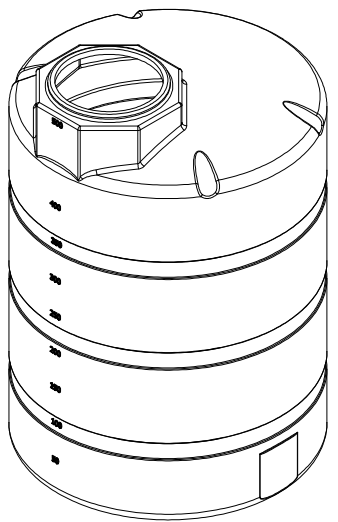
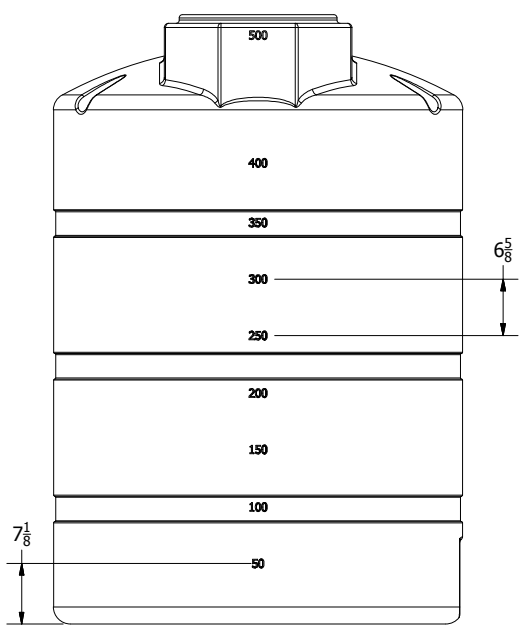
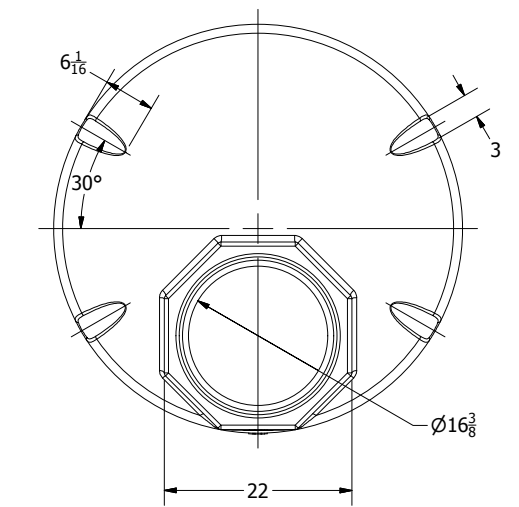
---



---

The  
**CARY**COMPANY  
Est. 1895

1195 W. Fullerton Ave. | Addison, IL 60101 | T: 630.629.6600 | F: 630.629.3690 |



The  
**CARY COMPANY**  
Est. 1895

REVISION HISTORY			
REV	DESCRIPTION	DATE	AUTHOR
A	REDRAWN	1/2/1997	
B	REDRAWN	7/26/2013	Michael Holden

DRAWN Jerry Paulson	1/2/1997	TITLE	
CHECKED		500 GALLON VERTICAL TANK	
QA			
MFG			
APPROVED			
	SIZE B	DWG NO	REV B
SCALE: 1/16		SHEET 1 OF 1	