

# IF YOU...



MIX IT. FILL IT. PACK IT. SHIP IT.

# WE HAVE A PRODUCT FOR YOU

Part #: 26BV08

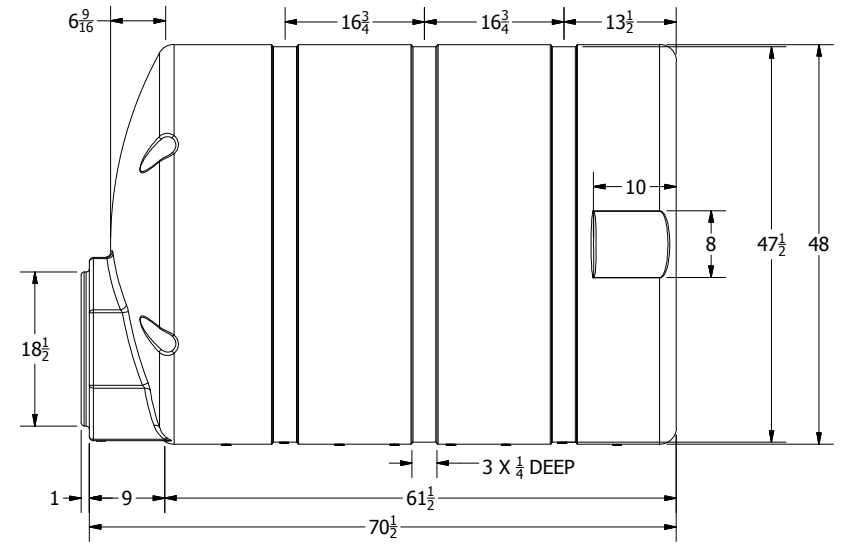
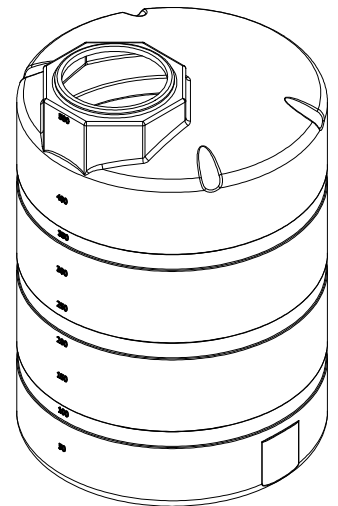
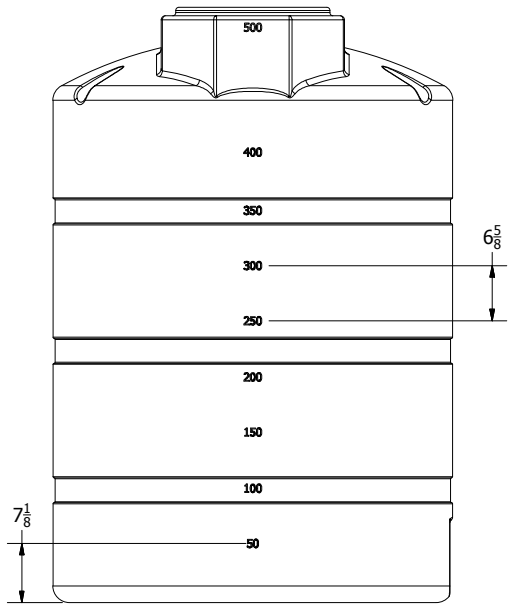
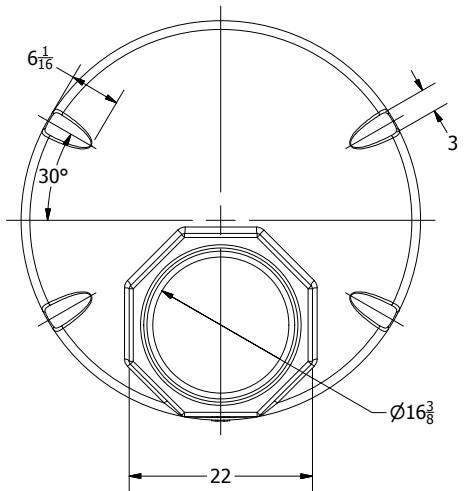
Vertical Storage Tanks

500 Gallon Dark Green HDPE Vertical Water Storage Tank



The  
**CARY**COMPANY  
Est. 1895

1195 W. Fullerton Ave. | Addison, IL 60101 | T: 630.629.6600 | F: 630.629.3690 |



REVISION HISTORY			
REV	DESCRIPTION	DATE	AUTHOR
A	REDRAWN	1/2/1997	
B	REDRAWN	7/26/2013	Michael Holden

DRAWN Jerry Paulson	1/2/1997	<p style="text-align: center;">The <b>CARY COMPANY</b> <small>Est. 1895</small></p>	
CHECKED			
QA		TITLE	
MFG		500 GALLON VERTICAL TANK	
APPROVED		SIZE <b>B</b>	DWG NO
		SCALE: 1/16	REV B
		SHEET 1 OF 1	