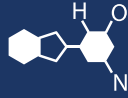


# IF YOU...



MIX IT. FILL IT. PACK IT. SHIP IT.

# WE HAVE A PRODUCT FOR YOU

Part #: 26BV15

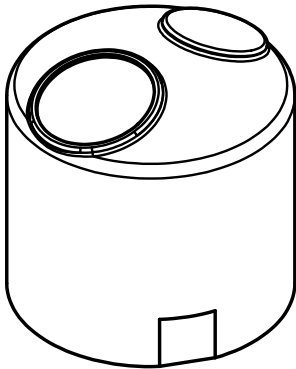
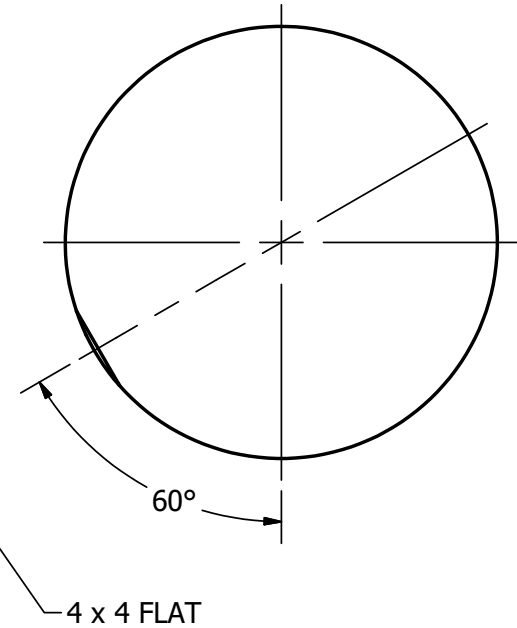
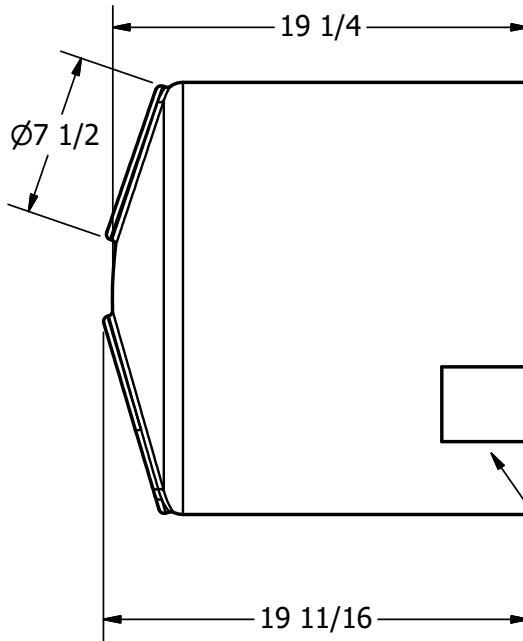
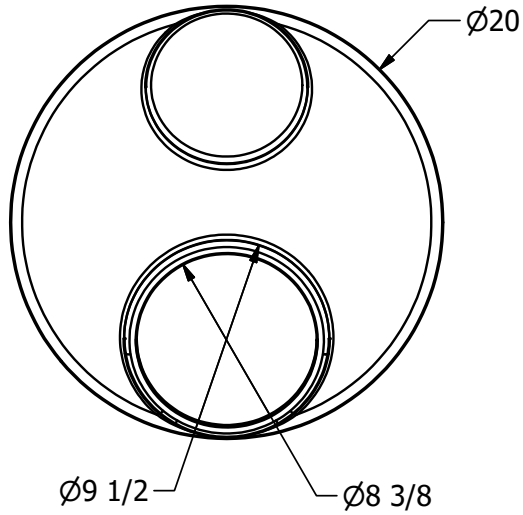
Vertical Storage Tanks

22 Gallon White HDPE Vertical Storage Tank



The  
**CARY**COMPANY  
Est. 1895

1195 W. Fullerton Ave. | Addison, IL 60101 | T: 630.629.6600 | F: 630.629.3690 |



DRAWN Jerry Paulson	12/21/2010	The <b>CARY COMPANY</b> <small>Est. 1895</small>		
CHECKED				
QA		TITLE		
MFG		22 GALLON VERTICAL TANK		
APPROVED		SIZE	DWG NO	REV
		A		
		SCALE: 1/16		SHEET 1 OF 1