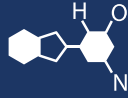


IF YOU...



MIX IT. FILL IT. PACK IT. SHIP IT.

WE HAVE A **PRODUCT** FOR YOU

Part #: 26BV18

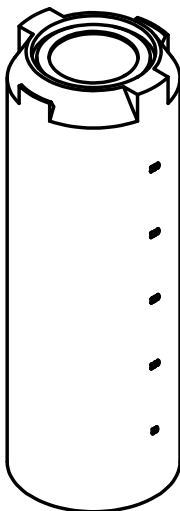
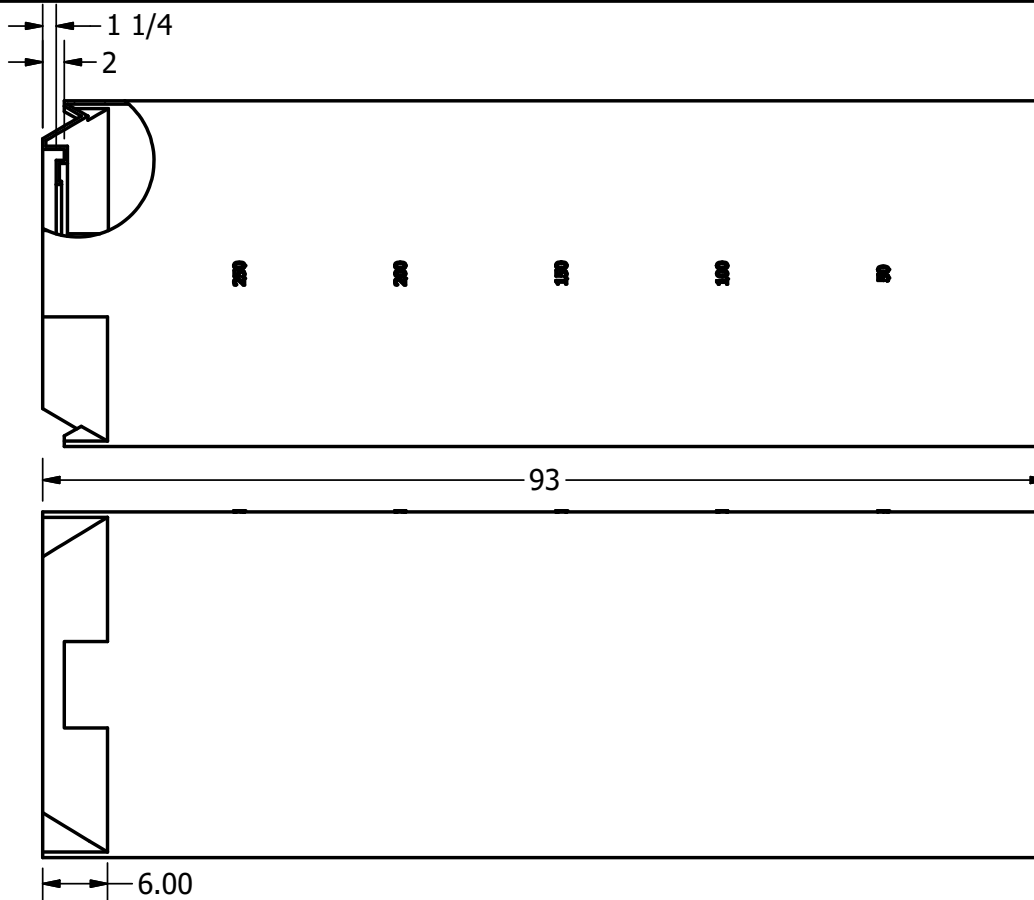
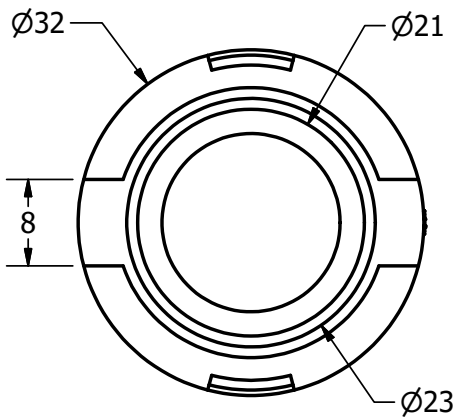
Vertical Storage Tanks

310 Gallon White HDPE Vertical Storage Tank



The
CARYCOMPANY
Est. 1895

1195 W. Fullerton Ave. | Addison, IL 60101 | T: 630.629.6600 | F: 630.629.3690 |



DRAWN Jerry Paulson	1/11/2011	The CARYCOMPANY <small>Est. 1895</small>		
CHECKED				
QA		TITLE		
MFG		VERTICAL TANK, 310 GALLONS X 32 DIAMETER		
APPROVED		SIZE	DWG NO	REV
		A		
		SCALE: 1/16		SHEET 1 OF 1