

# IF YOU...



MIX IT. FILL IT. PACK IT. SHIP IT.

# WE HAVE A **PRODUCT** FOR YOU

Part #: 26BV19

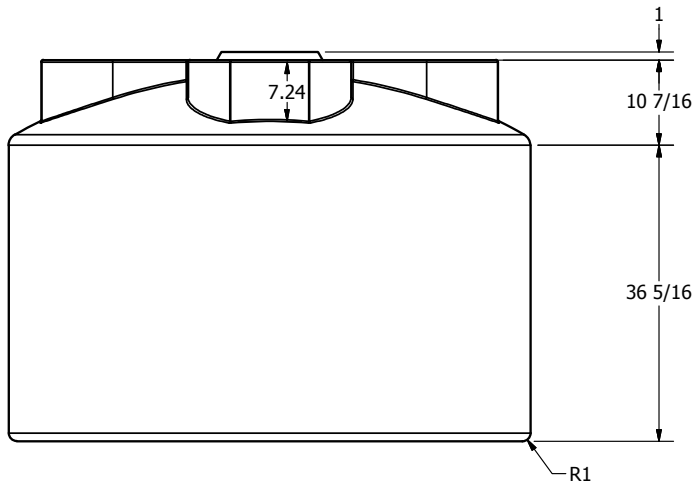
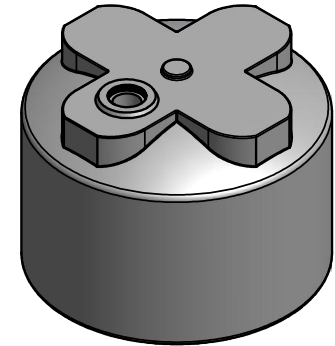
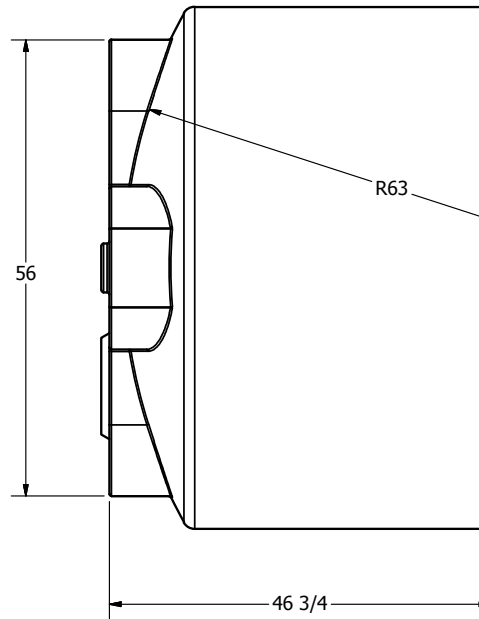
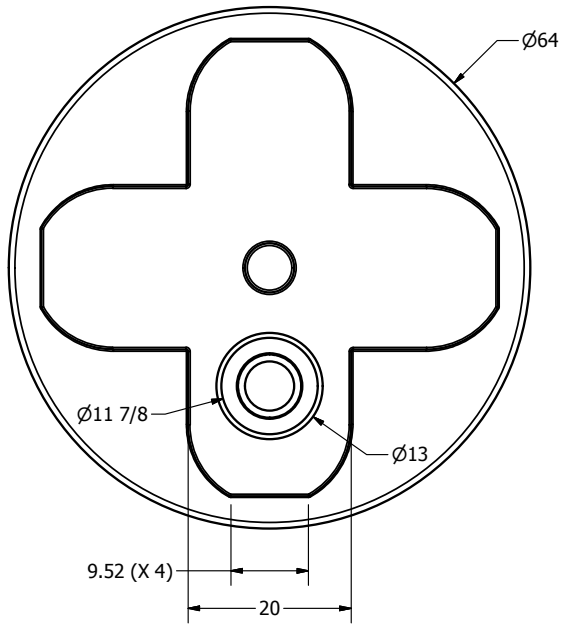
Vertical Storage Tanks

600 Gallon Black HDPE Vertical Water Storage Tank



The  
**CARY**COMPANY  
Est. 1895

1195 W. Fullerton Ave. | Addison, IL 60101 | T: 630.629.6600 | F: 630.629.3690 |



DRAWN Liv Oltean		The <b>CARY</b> COMPANY <small>Est. 1895</small>	
CHECKED			
QA		TITLE 600 GALLON VERTICAL TANK, 64" DIA, CLOVER LEAF W/4 FLATS	
MFG		SIZE <b>B</b>	DWG NO
APPROVED			REV <b>B</b>
		SCALE: 1/16	SHEET 1 OF 1