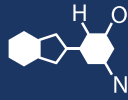


IF YOU...



MIX IT. FILL IT. PACK IT. SHIP IT.

WE HAVE A PRODUCT FOR YOU

Part #: 26BV21

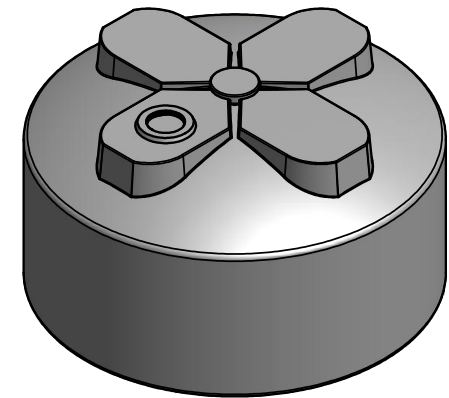
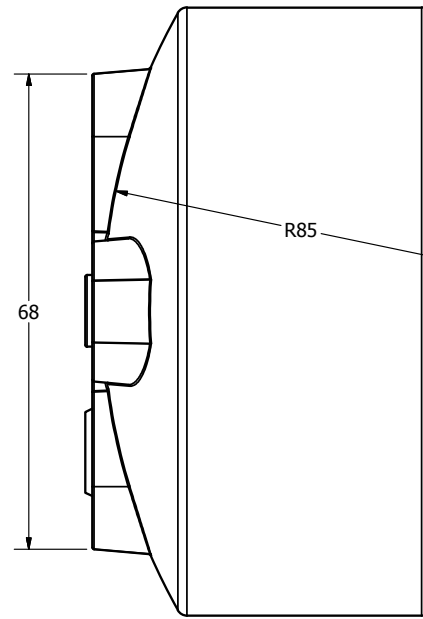
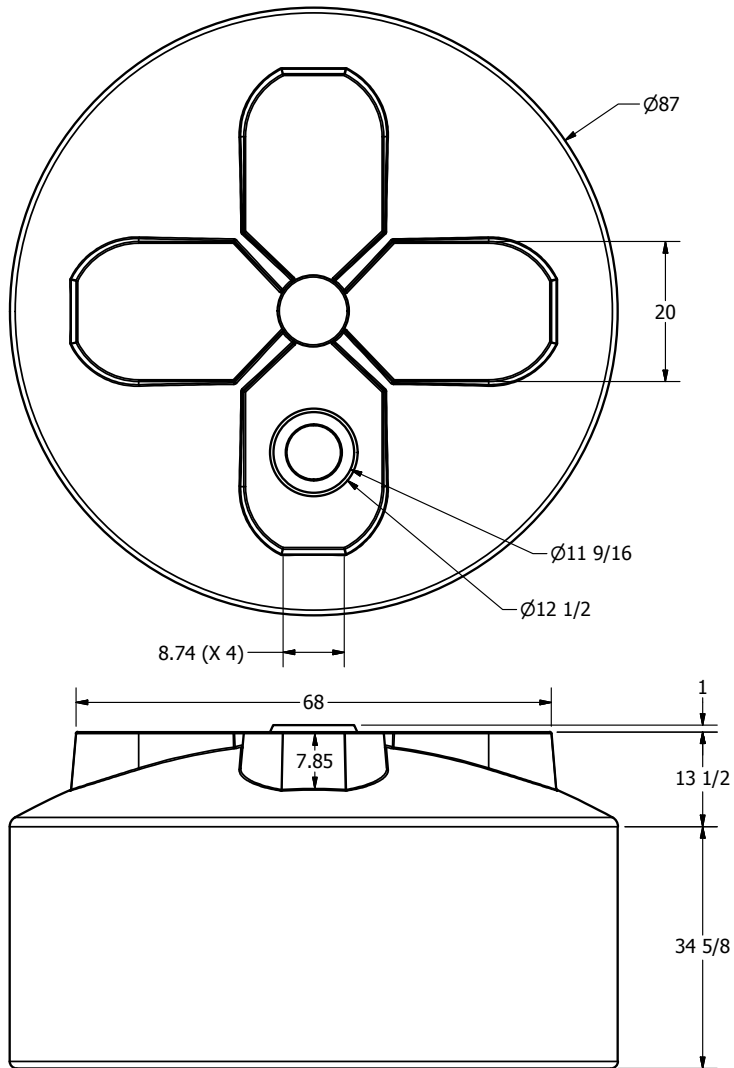
Vertical Storage Tanks

1,075 Gallon Black HDPE Vertical Water Storage Tank



The
CARYCOMPANY
Est. 1895

1195 W. Fullerton Ave. | Addison, IL 60101 | T: 630.629.6600 | F: 630.629.3690 |



DRAWN Liv Oltean			
CHECKED			
QA	TITLE 1075 GALLON VERTICAL TANK, 87" DIA, CLOVER W/4 FLATS		
MFG			
APPROVED			
	SIZE B	DWG NO	REV B
	SCALE: 1/16	SHEET 1 OF 1	