

IF YOU...



MIX IT. FILL IT. PACK IT. SHIP IT.

WE HAVE A PRODUCT FOR YOU

Part #: 26BV23

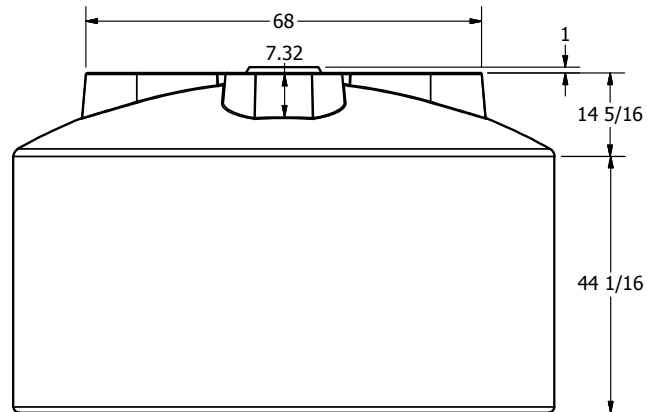
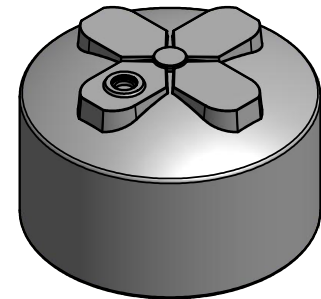
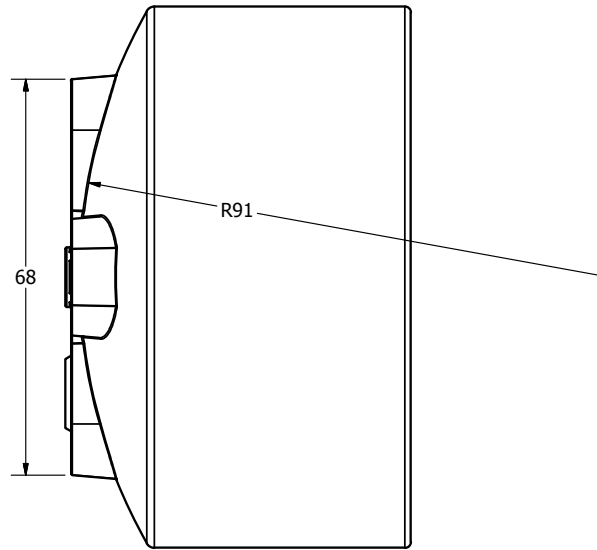
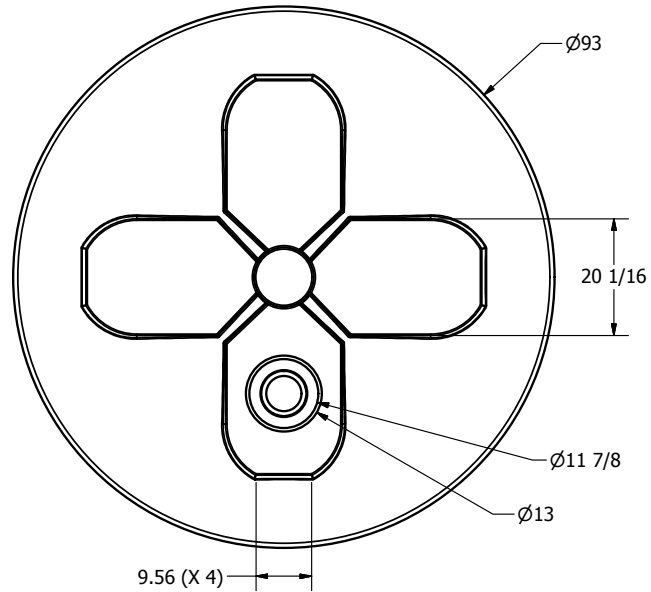
Vertical Storage Tanks

1,525 Gallon Black HDPE Vertical Water Storage Tank



The
CARYCOMPANY
Est. 1895

1195 W. Fullerton Ave. | Addison, IL 60101 | T: 630.629.6600 | F: 630.629.3690 |



DRAWN Liv Oltean		The CARY COMPANY Est. 1895	
CHECKED			
QA		TITLE	
MFG		1525 GALLON VERTICAL TANK, 93" DIA, CLOVER LEAF W/4 FLATS	
APPROVED		SIZE	DWG NO
		B	
		SCALE: 1/16	REV B
			SHEET 1 OF 1