

# IF YOU...



MIX IT. FILL IT. PACK IT. SHIP IT.

# WE HAVE A **PRODUCT** FOR YOU

Part #: 26BV48

Vertical Storage Tanks

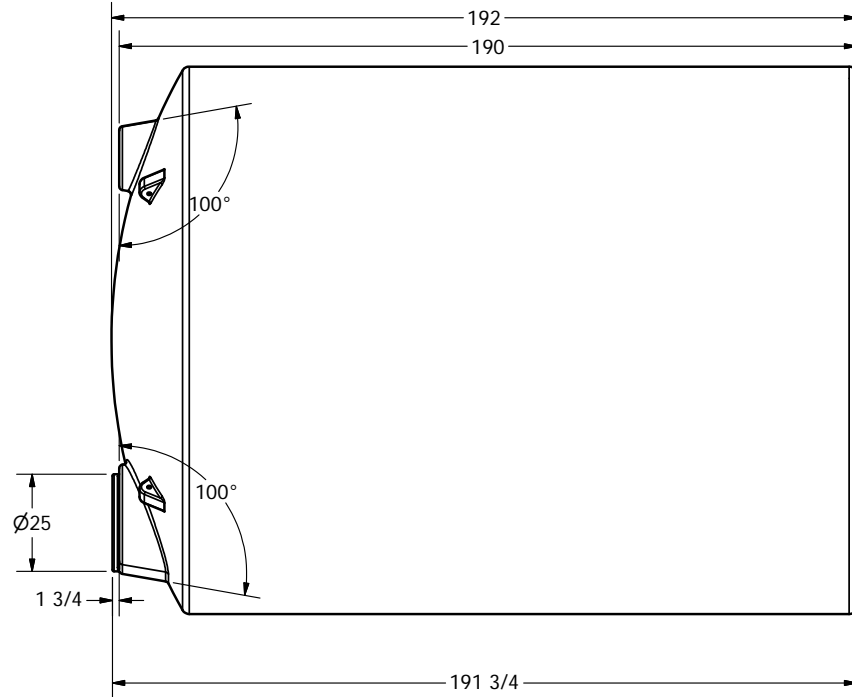
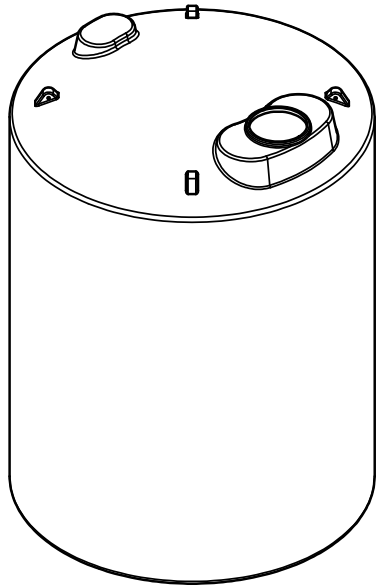
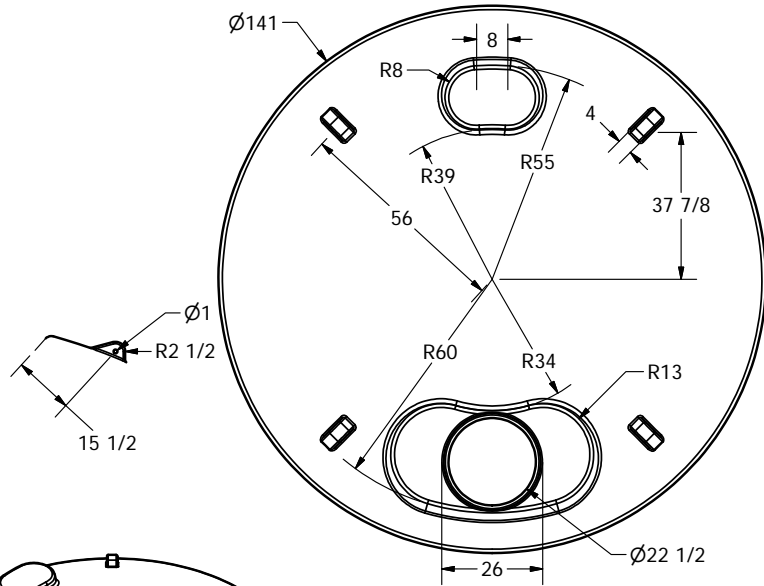
12,000 Gallon Blue HDPE Vertical Storage Tank (Heavy Weight)




The  
**CARY**COMPANY  
Est. 1895

1195 W. Fullerton Ave. | Addison, IL 60101 | T: 630.629.6600 | F: 630.629.3690 |

REV	DESCRIPTION	DATE	AUTHOR
A	LID REVISED TO 22"	3/5/2013	Jerry Paulson



FOB:  
 WASHINGTON COURT HOUSE, OH  
 SAINT BONIFACIUS, MN

DRAWN Jerry Paulson	4/19/2011	 Est. 1895	
CHECKED			
QA		TITLE	
MFG		12,000 GALLON VERTICAL INDUSTRIAL TANK	
APPROVED		SIZE	DWG NO
		B	
		SCALE: 1/16	REV
			A
			SHEET 1 OF 1