

IF YOU...



MIX IT. FILL IT. PACK IT. SHIP IT.

WE HAVE A **PRODUCT** FOR YOU

Part #: 26BV54

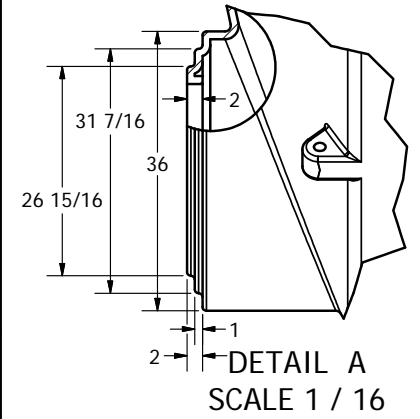
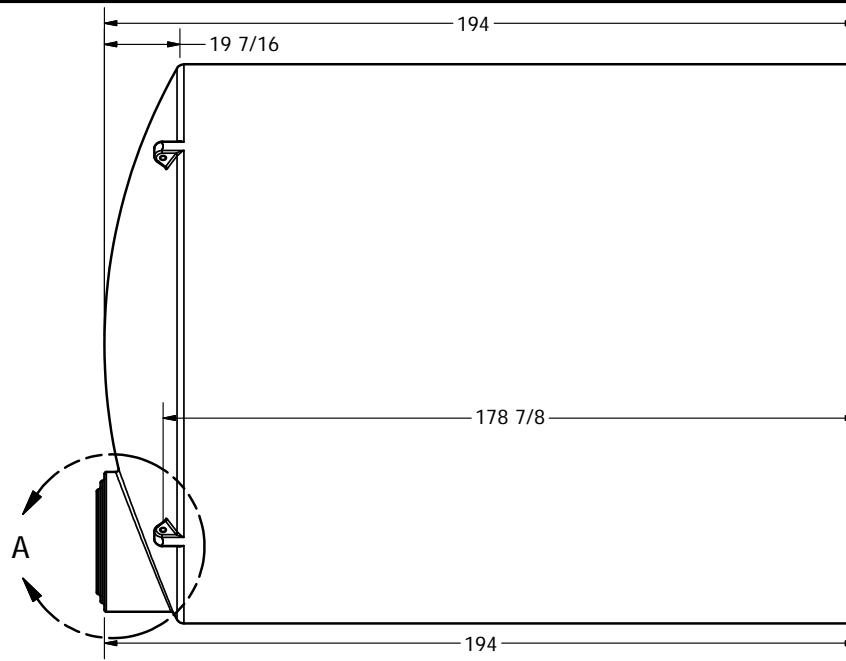
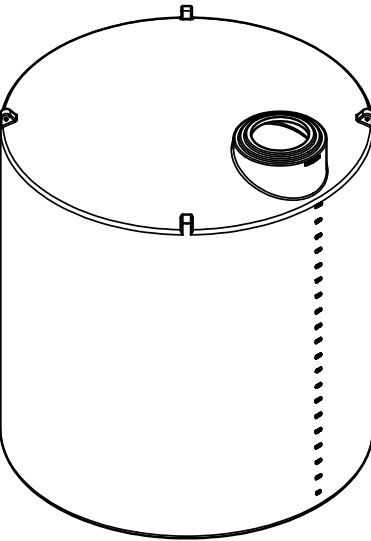
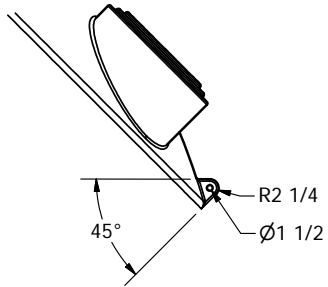
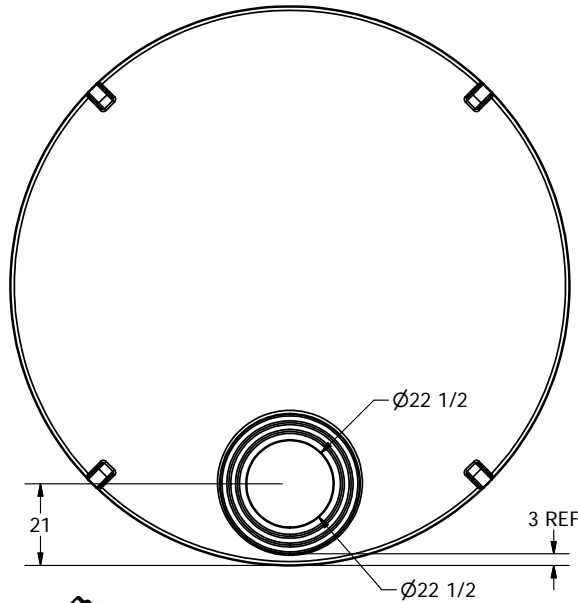
Vertical Storage Tanks

13,000 Gallon White HDPE Vertical Storage Tank



The
CARYCOMPANY
Est. 1895

1195 W. Fullerton Ave. | Addison, IL 60101 | T: 630.629.6600 | F: 630.629.3690 |



DRAWN Jerry Paulson	6/15/2012			
CHECKED				
QA		TITLE		
MFG		13,000 GALLON VERTICAL TANK X 144 DIAMETER		
APPROVED		SIZE	DWG NO	REV
		B		
		SCALE: 1/32	SHEET 1 OF 1	