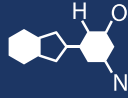


IF YOU...



MIX IT. FILL IT. PACK IT. SHIP IT.

WE HAVE A **PRODUCT** FOR YOU

Part #: 26BV64

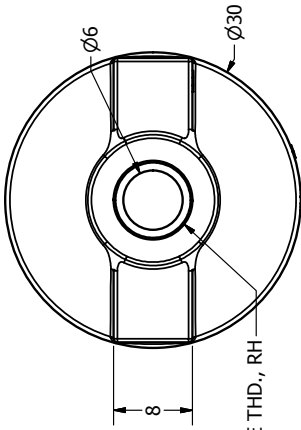
Vertical Storage Tanks

200 Gallon Dark Green HDPE Vertical Water Storage Tank
(California Version)

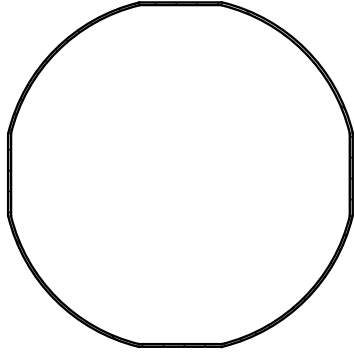
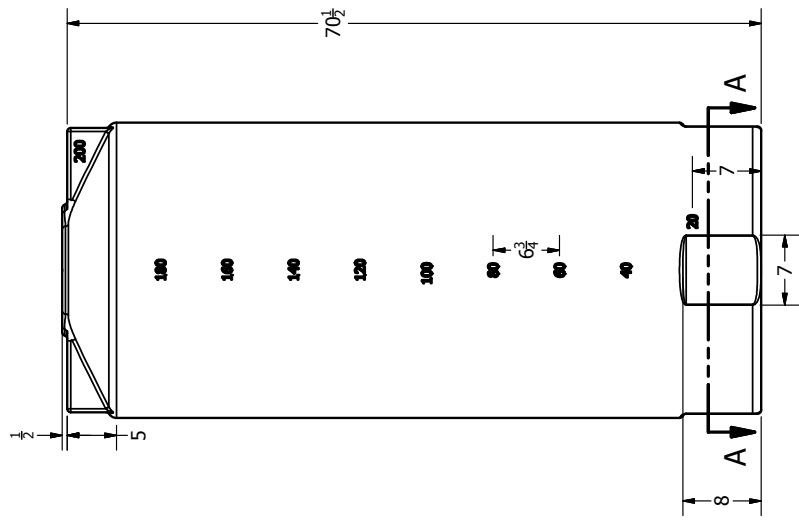


The
CARYCOMPANY
Est. 1895

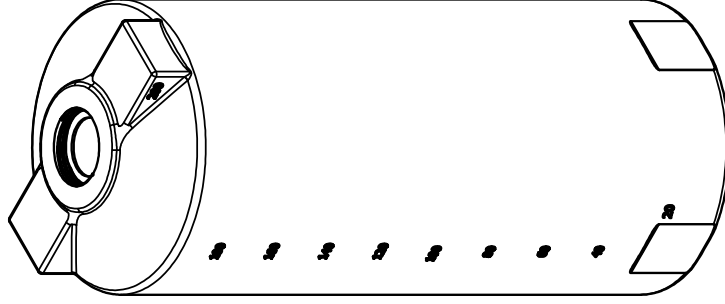
1195 W. Fullerton Ave. | Addison, IL 60101 | T: 630.629.6600 | F: 630.629.3690 |



8-1/4 ACME THD., RH



SECTION A-A
SCALE 1:10



REVISION HISTORY			
REV	DESCRIPTION	DATE	AUTHOR
A	REDRAWN	7/1/2013	Michael Holden
DRAWN Jerry Paulson		7/11/2003	
CHECKED			
QA			
MFG			
APPROVED			
TITLE		The CARY COMPANY Est. 1895	
TITLE		200 GALLON VERTICAL TANK X 30 DIAMETER	
SIZE	DWG NO	REV	
B		A	
SCALE: 1/16		SHEET 1 OF 1	