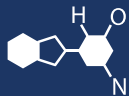


IF YOU...



MIX IT. FILL IT. PACK IT. SHIP IT.

WE HAVE A PRODUCT FOR YOU

Part #: 26BV65

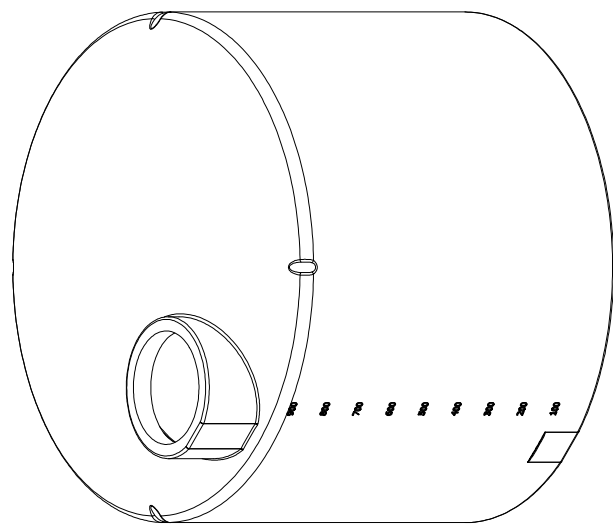
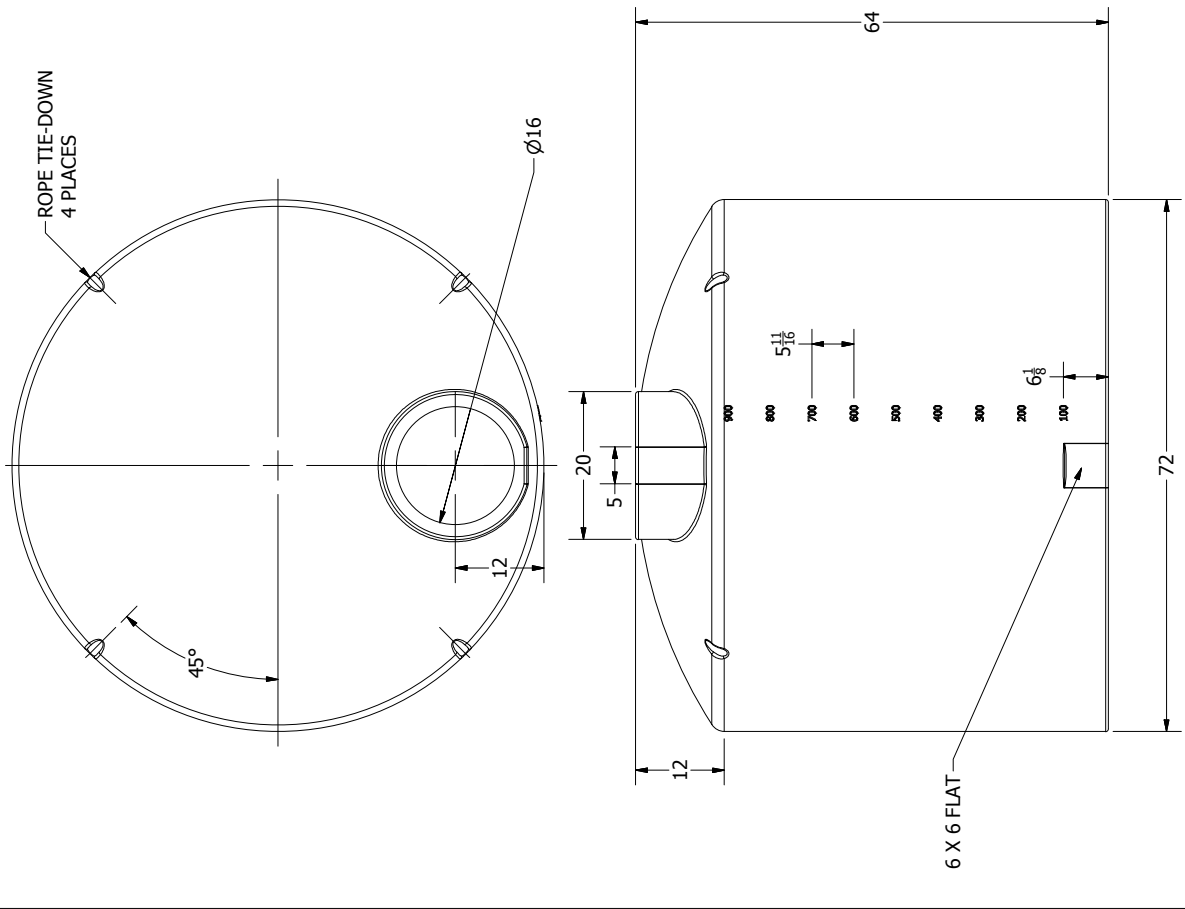
Vertical Storage Tanks

1,000 Gallon White HDPE
Vertical Storage Tank, 72" x 66"



The
CARYCOMPANY
Est. 1895

1195 W. Fullerton Ave. | Addison, IL 60101 | T: 630.629.6600 | F: 630.629.3690 |



DRAWN		7/17/2013		The CARY COMPANY Est. 1895	
Michael Holden				TITLE	
CHECKED				1000 GALLON X 72 VERTICAL TANK	
QA				SIZE	DWG NO
MFG				B	
APPROVED				SCALE:	1/16
				REV	
				SHEET 1 OF 1	