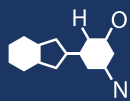


# IF YOU...



MIX IT. FILL IT. PACK IT. SHIP IT.

# WE HAVE A **PRODUCT** FOR YOU

Part #: 26BV65

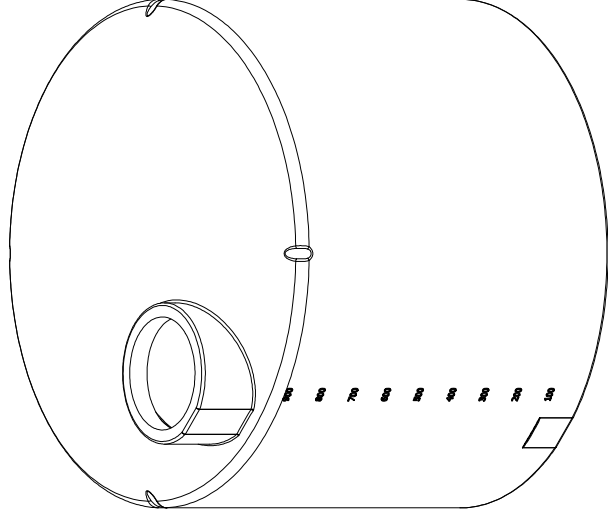
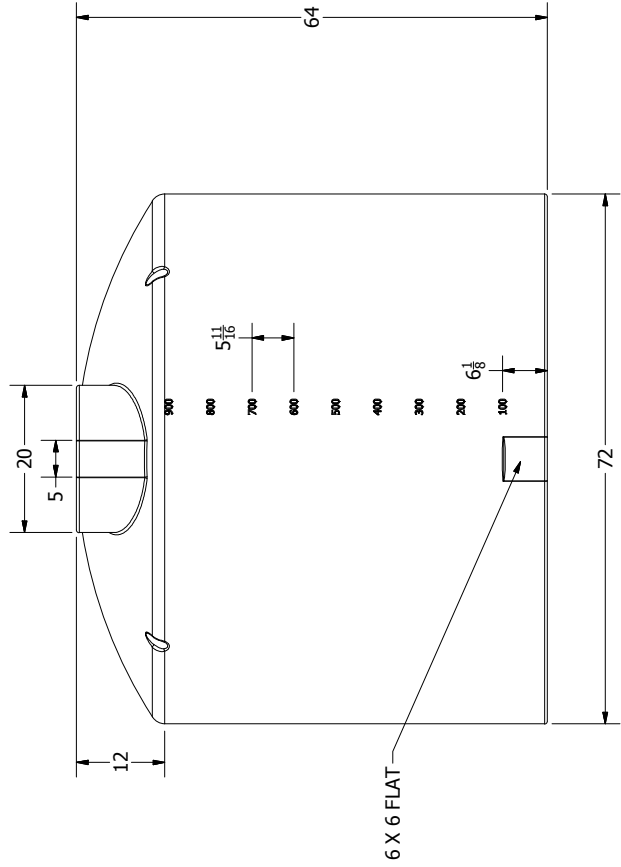
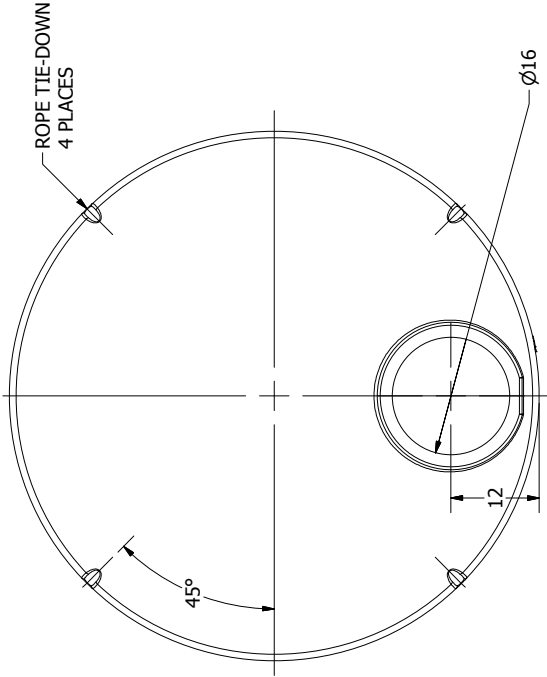
Vertical Storage Tanks

1,000 Gallon White HDPE  
Vertical Storage Tank, 72" x 66"



The  
**CARY**COMPANY  
Est. 1895

1195 W. Fullerton Ave. | Addison, IL 60101 | T: 630.629.6600 | F: 630.629.3690 |



DRAWN Michael Holden	7/17/2013	The <b>CARYCOMPANY</b> Est. 1895	
CHECKED		TITLE	
QA		1000 GALLON X 72 VERTICAL TANK	
MFG		SIZE	DWG NO
APPROVED		B	
		SCALE: 1/16	REV
			SHEET 1 OF 1