

IF YOU...



MIX IT. FILL IT. PACK IT. SHIP IT.

WE HAVE A PRODUCT FOR YOU

Part #: 26BV73

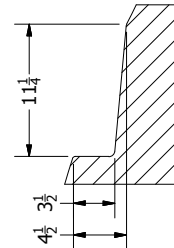
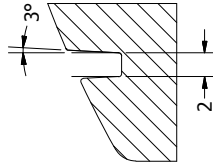
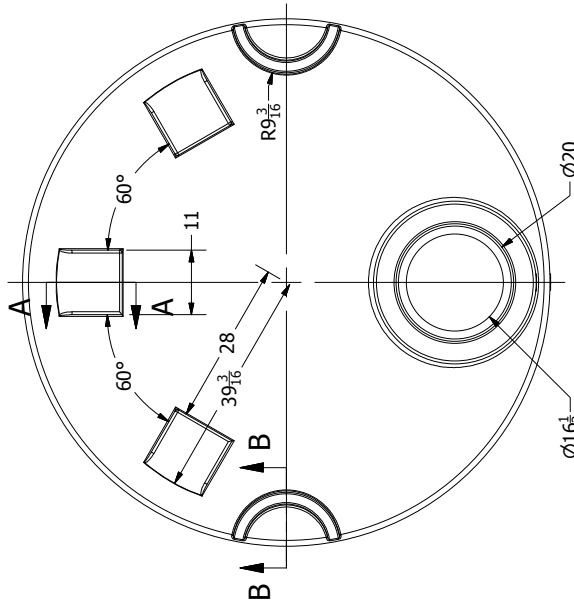
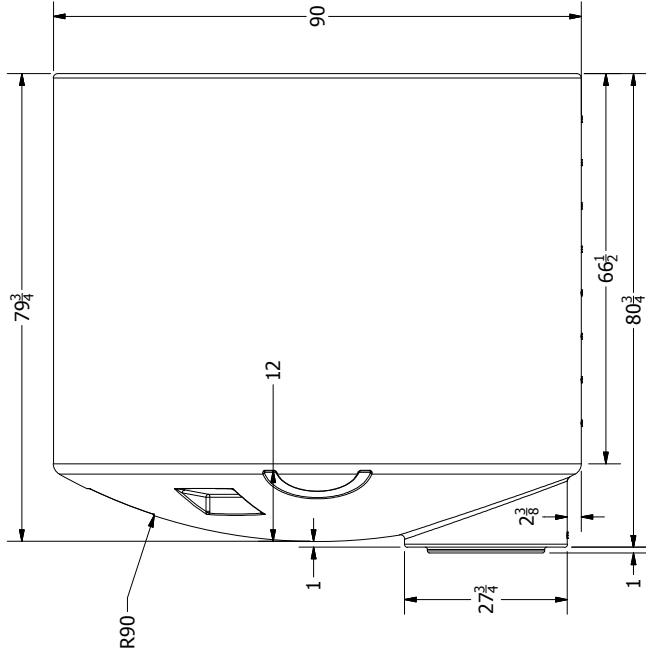
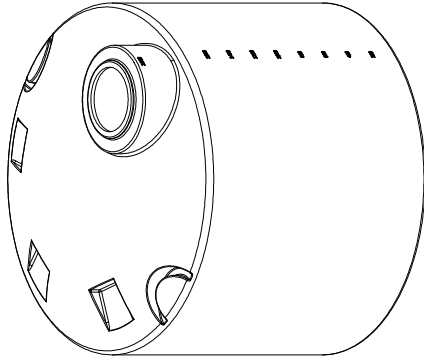
Vertical Storage Tanks

2,000 Gallon Black HDPE Vertical
Water Storage Tank



The
CARYCOMPANY
Est. 1895

1195 W. Fullerton Ave. | Addison, IL 60101 | T: 630.629.6600 | F: 630.629.3690 |



SECTION B-B
SCALE 1:10

SECTION A-A
SCALE 1:10

DRAWN		6/7/2013		The CARY COMPANY Est. 1895	
CHECKED				TITLE	
QA				2000 GALLON X 90 VERTICAL TANK	
MFG				SIZE	
APPROVED				B	
				DWG NO	
				SCALE: 1/16	
				REV	
				SHEET 1 OF 2	