

IF YOU...



MIX IT. FILL IT. PACK IT. SHIP IT.

WE HAVE A **PRODUCT** FOR YOU

Part #: 26BV84

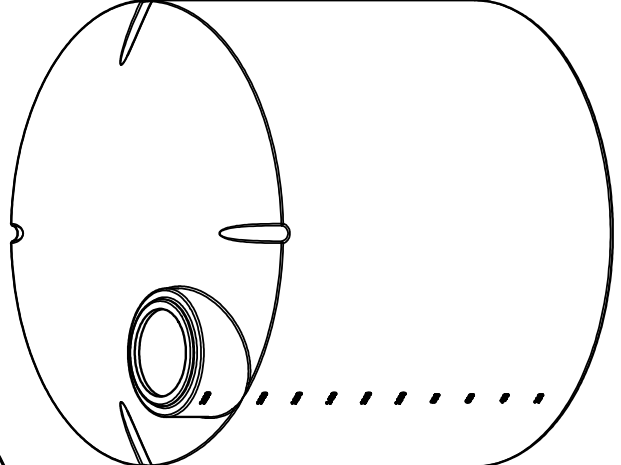
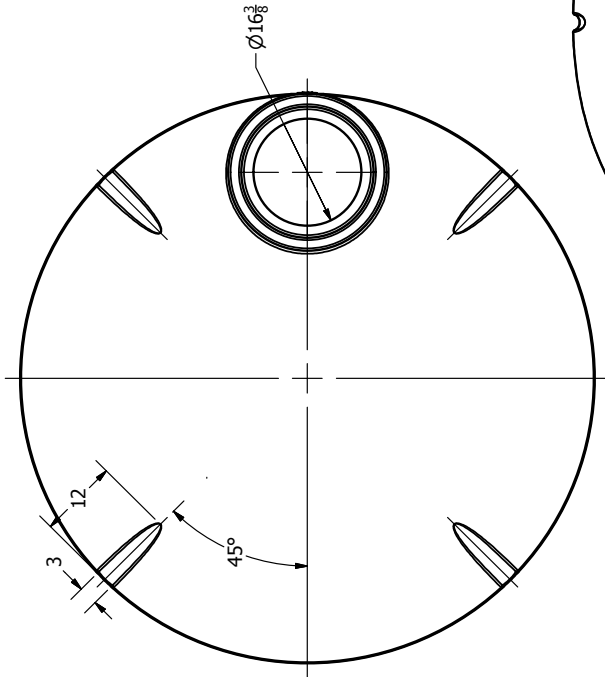
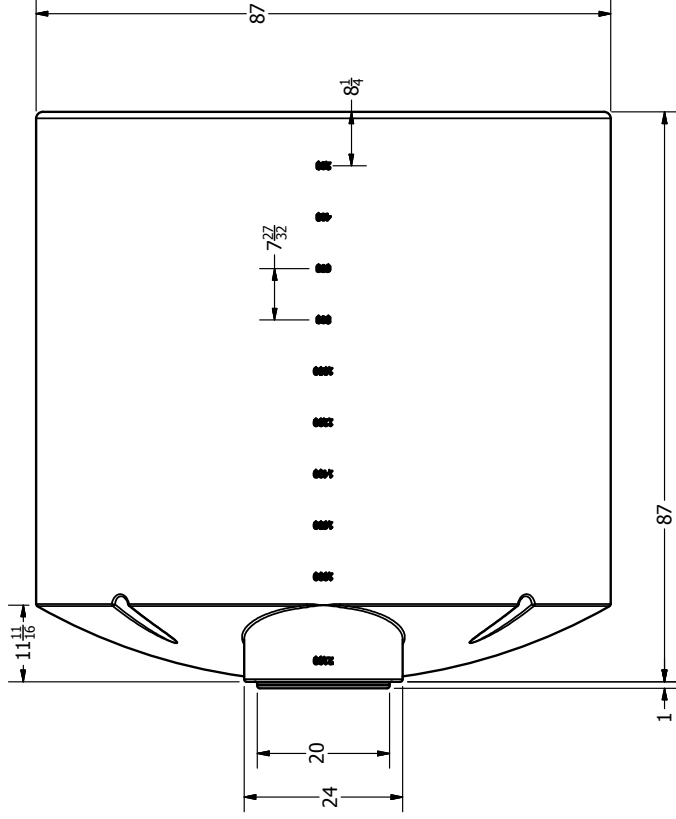
Vertical Storage Tanks

2,100 Gallon Dark Green HDPE
Vertical Water Storage Tank



The
CARYCOMPANY
Est. 1895

1195 W. Fullerton Ave. | Addison, IL 60101 | T: 630.629.6600 | F: 630.629.3690 |



REVISION HISTORY			
REV	DESCRIPTION	DATE	AUTHOR
A	REDRAWN	1/2/1997	
B	REDRAWN	7/9/2013	Michael Holden
DRAWN Jerry Paulson		8/19/1997	
CHECKED			
QA			
MFG			
APPROVED			
TITLE		The CARY COMPANY EST. 1895	
TITLE		2100 GALLON VERTICAL TANK	
SIZE		DWG NO	
B			
SCALE: 1/16		REV B	
		SHEET 1 OF 1	