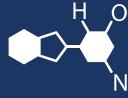


IF YOU...



MIX IT. FILL IT. PACK IT. SHIP IT.

WE HAVE A **PRODUCT** FOR YOU

Part #: 26BV87

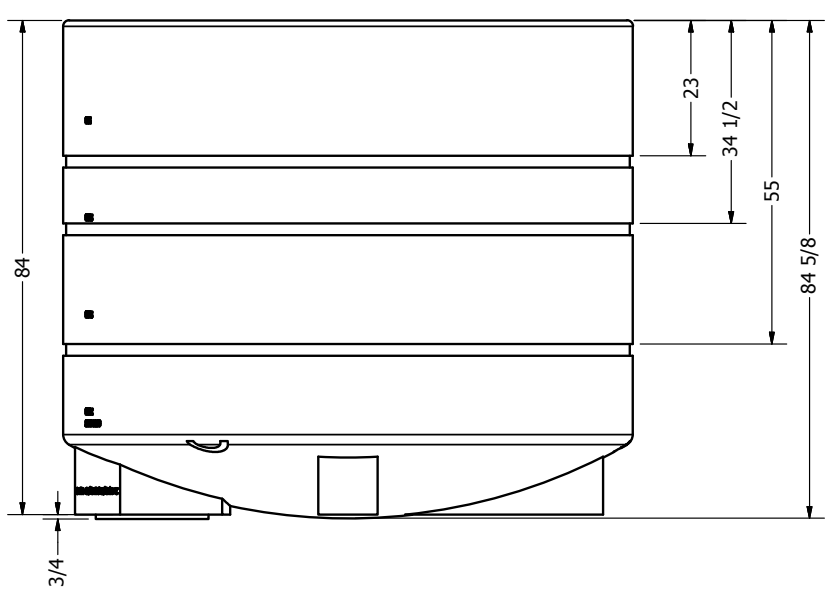
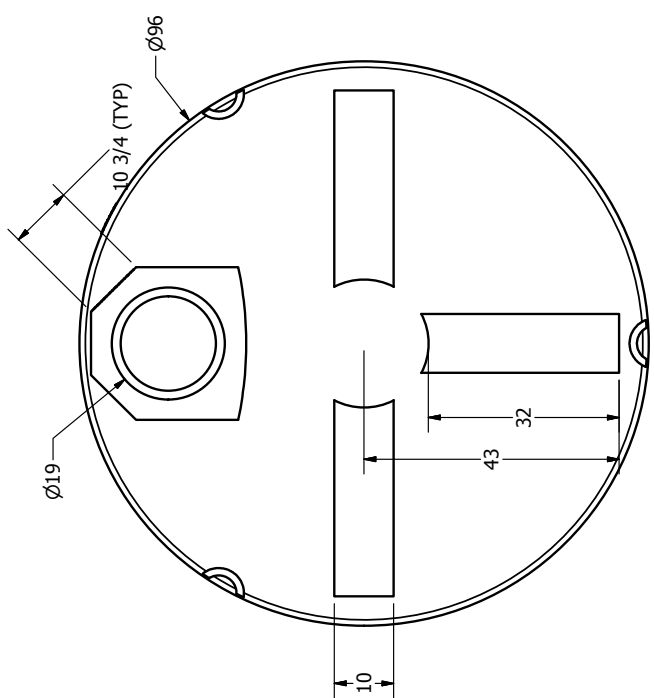
Vertical Storage Tanks

2,450 Gallon Black HDPE
Vertical Water Storage Tank



The
CARYCOMPANY
Est. 1895

1195 W. Fullerton Ave. | Addison, IL 60101 | T: 630.629.6600 | F: 630.629.3690 |



DRAWN Liv Oltean	6-22-2016	The CARY COMPANY — Est. 1895	
CHECKED		TITLE	
QA		2450 GALLON VERTICAL TANK WATER ONLY	
MFG		SIZE	DWG NO
APPROVED		B	
		SCALE: 1/16	REV A
			SHEET 1 OF 1