

IF YOU...



MIX IT. FILL IT. PACK IT. SHIP IT.

WE HAVE A **PRODUCT** FOR YOU

Part #: 26BV96

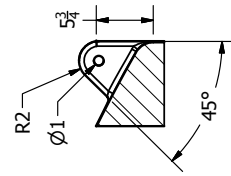
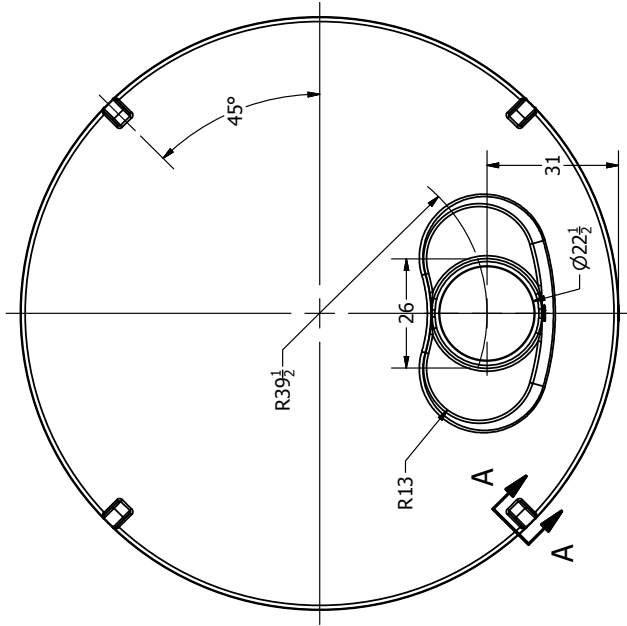
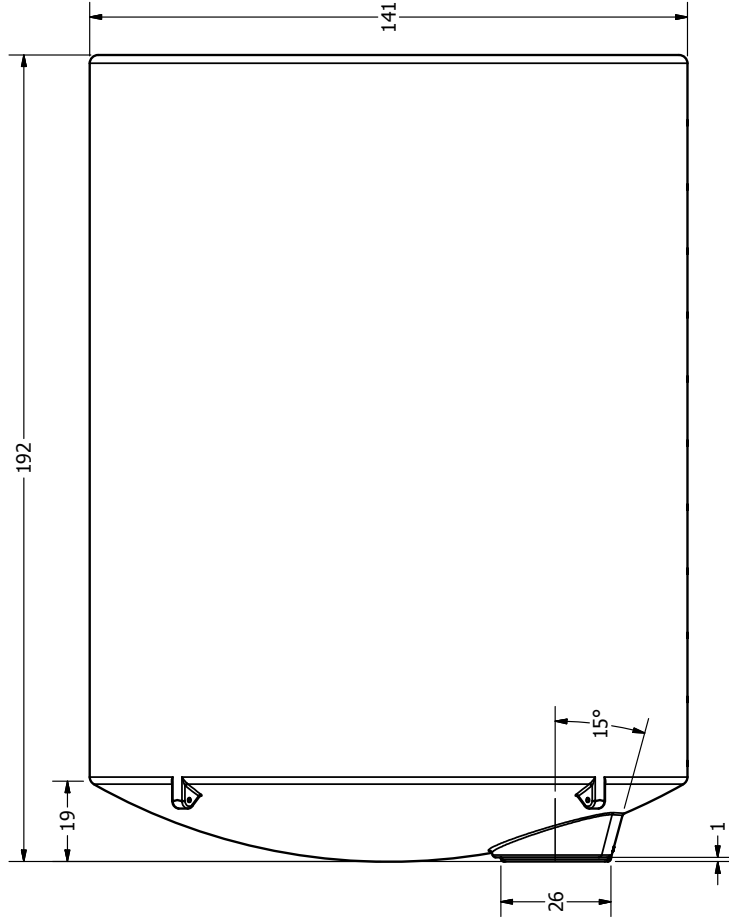
Vertical Storage Tanks

12,000 Gallon Black HDPE
Vertical Water Storage Tank



The
CARYCOMPANY
Est. 1895

1195 W. Fullerton Ave. | Addison, IL 60101 | T: 630.629.6600 | F: 630.629.3690 |



SECTION A-A
SCALE 1:12

REVISION HISTORY			
REV	DESCRIPTION	DATE	AUTHOR
A	REVISED FOR 22" LID	7/11/2013	Michael Holden
DRAWN Jerry Paulson		4/28/1993	
CHECKED			
QA			
MFG			
APPROVED			
TITLE			
The CARY COMPANY Est. 1895			
12000 GALLON VERTICAL TANK			
SIZE	DWG NO	REV	A
B			
SCALE: 1/16		SHEET 1 OF 2	