

IF YOU...



MIX IT. FILL IT. PACK IT. SHIP IT.

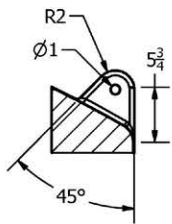
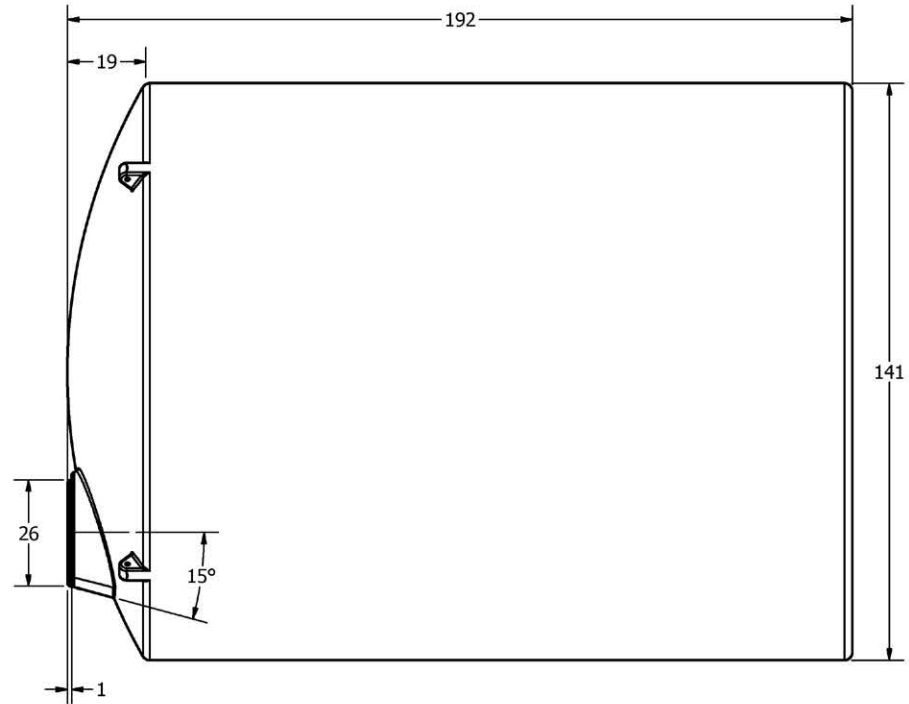
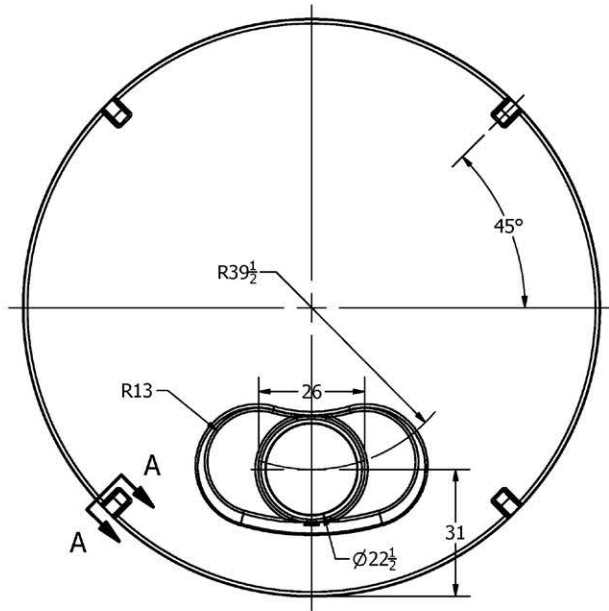
WE HAVE A **PRODUCT** FOR YOU

Part #: 26BV97



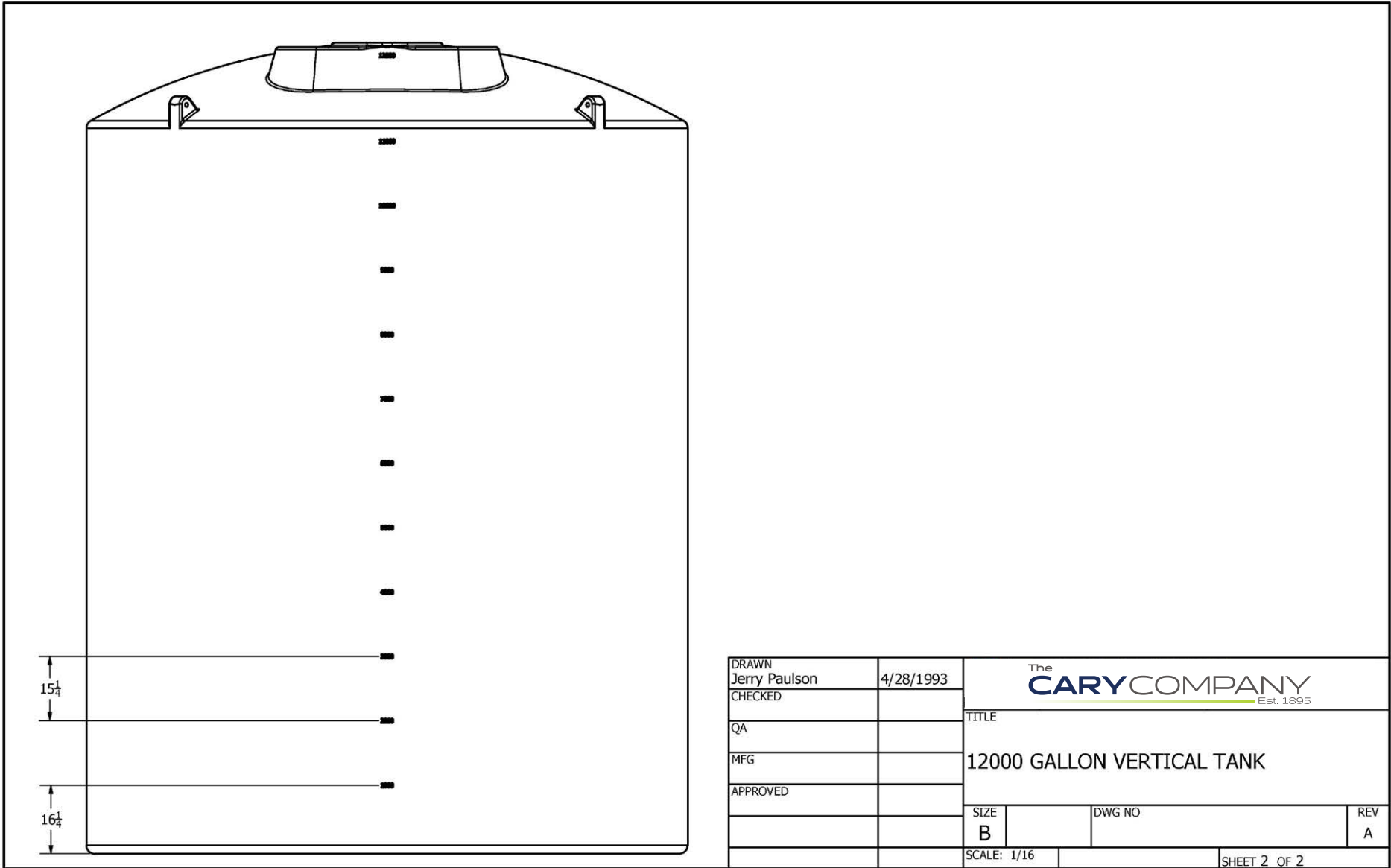
The
CARYCOMPANY
Est. 1895

1195 W. Fullerton Ave. | Addison, IL 60101 | T: 630.629.6600 | F: 630.629.3690 |



SECTION A-A
SCALE 1:12

REVISION HISTORY			
REV	DESCRIPTION	DATE	AUTHOR
A	REVISED FOR 22" LID	7/11/2013	Michael Holden
DRAWN	Jerry Paulson	4/28/1993	
CHECKED			
QA			
MFG			
APPROVED			
		TITLE	
		12000 GALLON VERTICAL TANK	
		SIZE	REV
		B	A
		DWG NO	
		SCALE: 1/16	SHEET 1 OF 2



DRAWN Jerry Paulson	4/28/1993	The CARY COMPANY <small>Est. 1895</small>		
CHECKED				
QA		TITLE		
MFG		12000 GALLON VERTICAL TANK		
APPROVED		SIZE	DWG NO	REV
		B		A
		SCALE: 1/16	SHEET 2 OF 2	