

# IF YOU...



MIX IT. FILL IT. PACK IT. SHIP IT.

# WE HAVE A **PRODUCT** FOR YOU

Part #: 26BV99

---

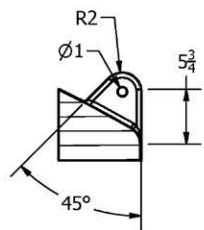
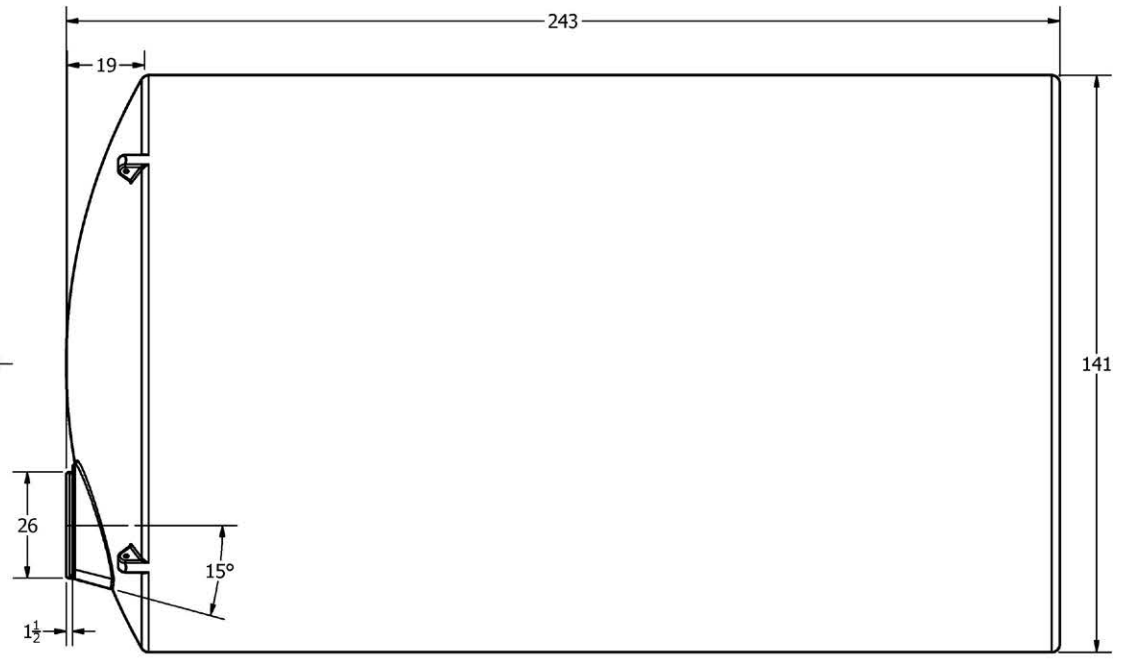
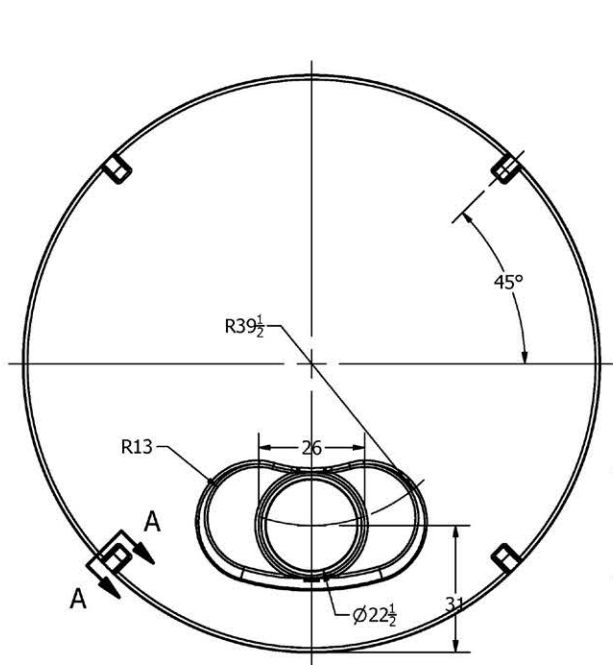
---



---

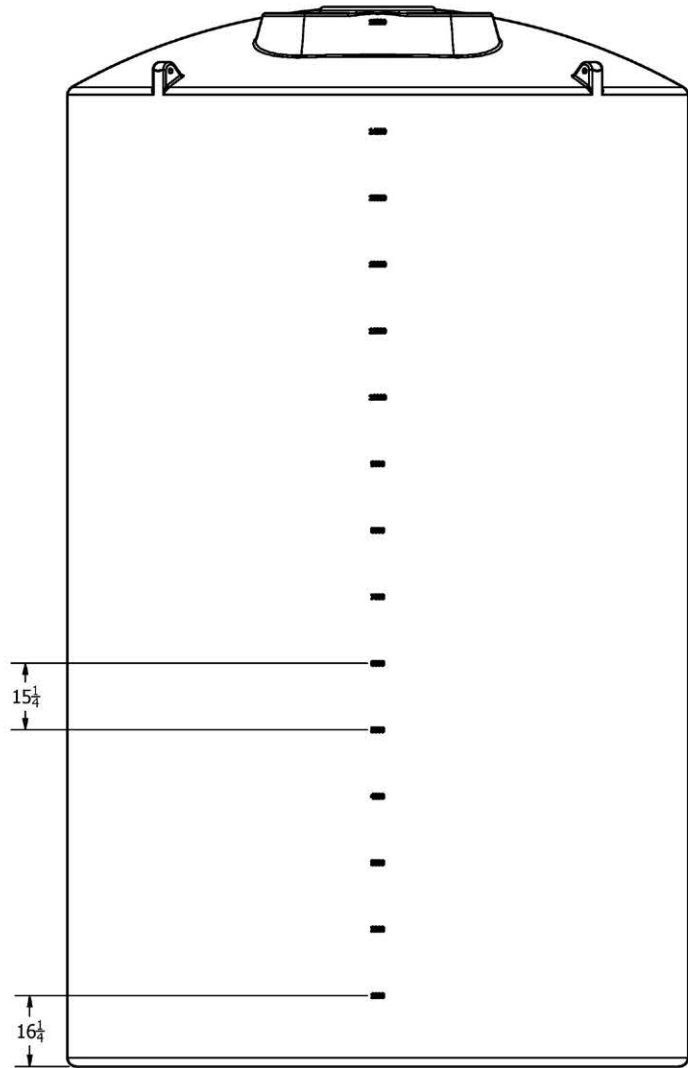
The  
**CARY**COMPANY  
Est. 1895

1195 W. Fullerton Ave. | Addison, IL 60101 | T: 630.629.6600 | F: 630.629.3690 |



SECTION A-A  
SCALE 1:12

REVISION HISTORY			
REV	DESCRIPTION	DATE	AUTHOR
A	REVISED FOR 22" LID	6/21/2013	
B	REDRAWN	7/11/2013	Michael Holden
DRAWN	Jerry Paulson	1/10/2000	
CHECKED			
QA			
MFG			
APPROVED			
		TITLE	
		15500 GALLON VERTICAL TANK	
		SIZE	DWG NO
		B	B
		SCALE: 1/16	SHEET 1 OF 2



DRAWN Jerry Paulson	1/10/2000	The <b>CARY COMPANY</b> <small>Est. 1895</small>		
CHECKED		TITLE		
QA		15500 GALLON VERTICAL TANK		
MFG				
APPROVED				
		SIZE B	DWG NO	REV B
		SCALE: 1/16	SHEET 2 OF 2	