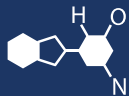


# IF YOU...



MIX IT. FILL IT. PACK IT. SHIP IT.

# WE HAVE A **PRODUCT** FOR YOU

Part #: 26BW02

---

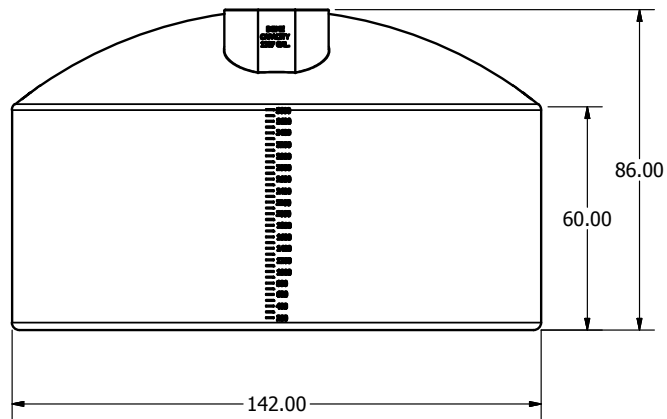
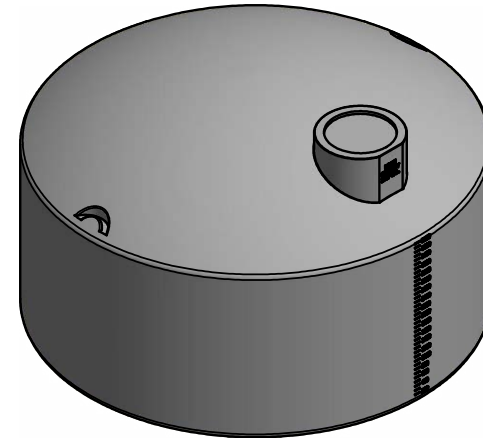
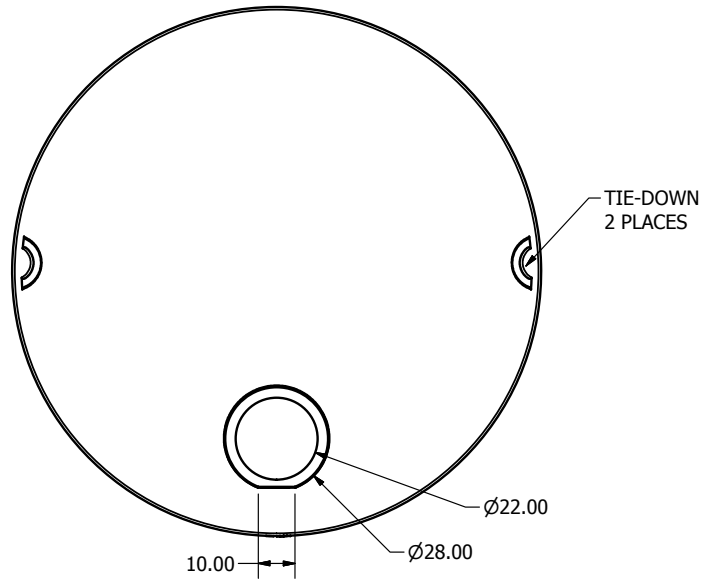
---



---

The  
**CARY**COMPANY  
Est. 1895

1195 W. Fullerton Ave. | Addison, IL 60101 | T: 630.629.6600 | F: 630.629.3690 |



DRAWN Liv Oltean				
CHECKED				
QA		TITLE		
MFG		4995 GALLON VERTICAL TANK		
APPROVED		SIZE	DWG NO	REV
		B		
		SCALE: 1/16	SHEET 1 OF 1	