

IF YOU...



MIX IT. FILL IT. PACK IT. SHIP IT.

WE HAVE A **PRODUCT** FOR YOU

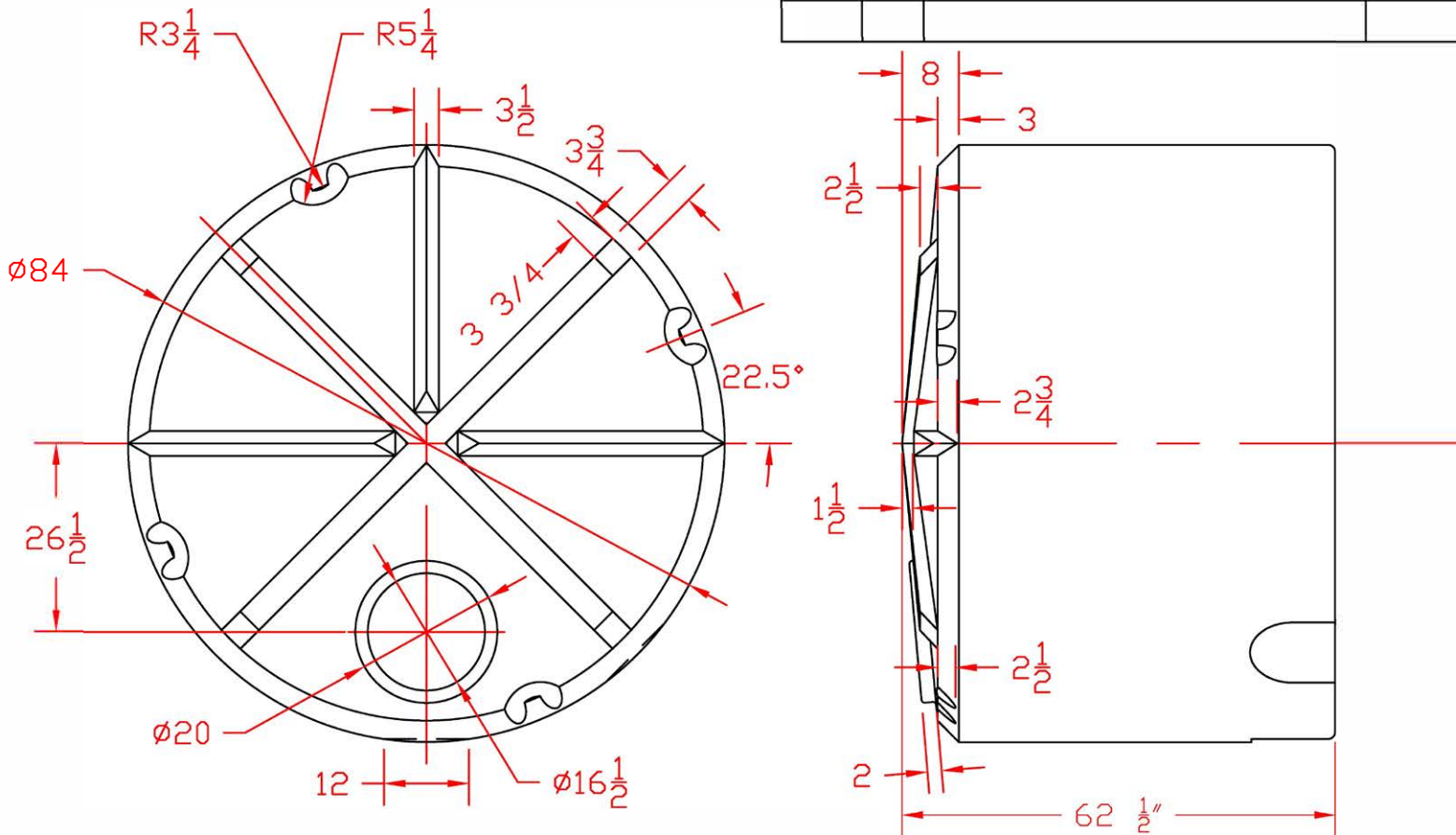
Part #: 26BW11



The
CARYCOMPANY
Est. 1895

1195 W. Fullerton Ave. | Addison, IL 60101 | T: 630.629.6600 | F: 630.629.3690 |

REVISIONS				
ZONE	REV	DESCRIPTION	DATE	APPROVED



JTP 26SEP17		The CARY COMPANY Est. 1895		
		1295 GALLON VERTICAL TANK		
SIZE A	FSCM NO.	DWG NO.	REV	
SCALE 1/24		SHEET		