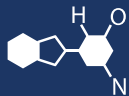


IF YOU...



MIX IT. FILL IT. PACK IT. SHIP IT.

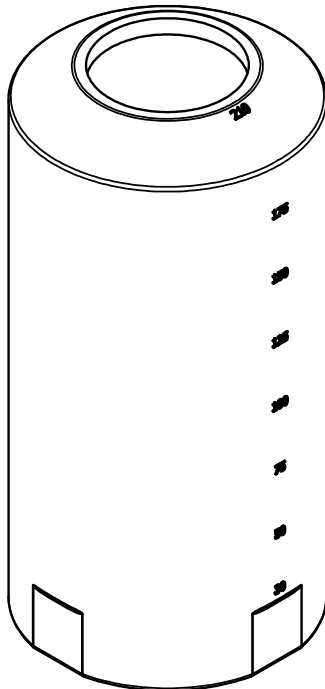
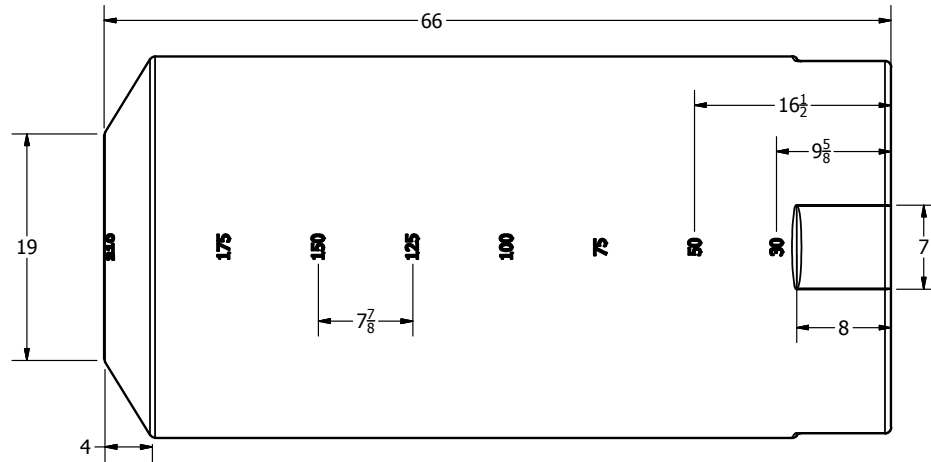
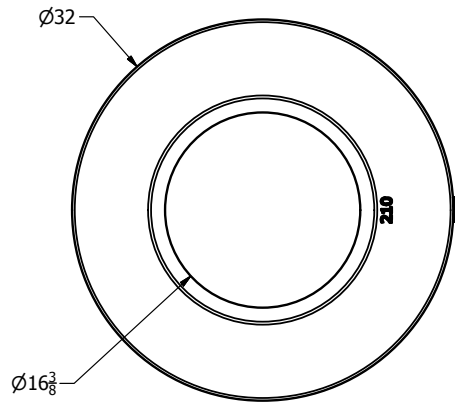
WE HAVE A **PRODUCT** FOR YOU

Part #: 26BW20



The
CARYCOMPANY
Est. 1895

1195 W. Fullerton Ave. | Addison, IL 60101 | T: 630.629.6600 | F: 630.629.3690 |



REVISION HISTORY			
REV	DESCRIPTION	DATE	AUTHOR
A	WAS 200 GAL X 31 DIA	7/31/2003	
B	REDRAWN	7/1/2013	Michael Holden
DRAWN Jerry Paulson		9/21/2001	
CHECKED			
QA			
MFG			
APPROVED			
TITLE			
210 GALLON VERTICAL TANK			
SIZE B		DWG NO	REV B
SCALE: 1/16		SHEET 1 OF 1	