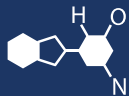


# IF YOU...



MIX IT. FILL IT. PACK IT. SHIP IT.

# WE HAVE A PRODUCT FOR YOU

Part #: 26BW21

---

---

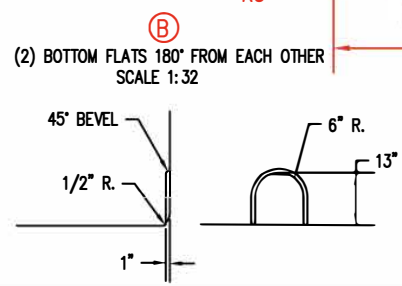
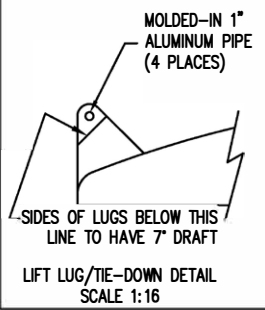
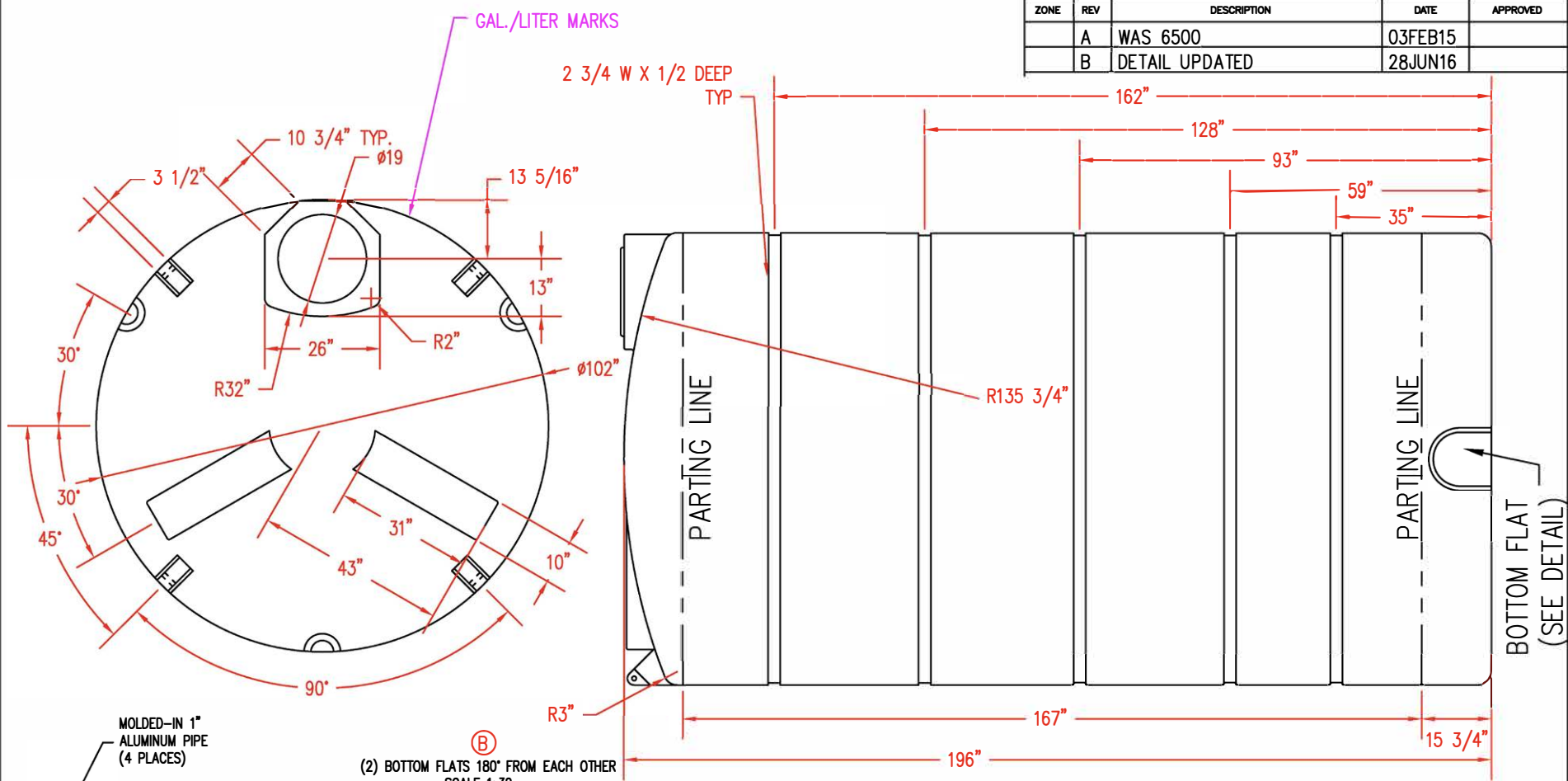


---

The  
**CARY**COMPANY  
Est. 1895

1195 W. Fullerton Ave. | Addison, IL 60101 | T: 630.629.6600 | F: 630.629.3690 |

REVISIONS				
ZONE	REV	DESCRIPTION	DATE	APPROVED
	A	WAS 6500	03FEB15	
	B	DETAIL UPDATED	28JUN16	



The  
**CARY COMPANY**  
Est. 1895

(A) 6502 GALLON VERTICAL STORAGE TANK

JTP	24JUL03	SIZE B	FSCM NO.	DWG NO.	REV B
SCALE 1/24				SHEET	