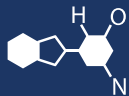


# IF YOU...



MIX IT. FILL IT. PACK IT. SHIP IT.

# WE HAVE A **PRODUCT** FOR YOU

Part #: 26BW23

---

---

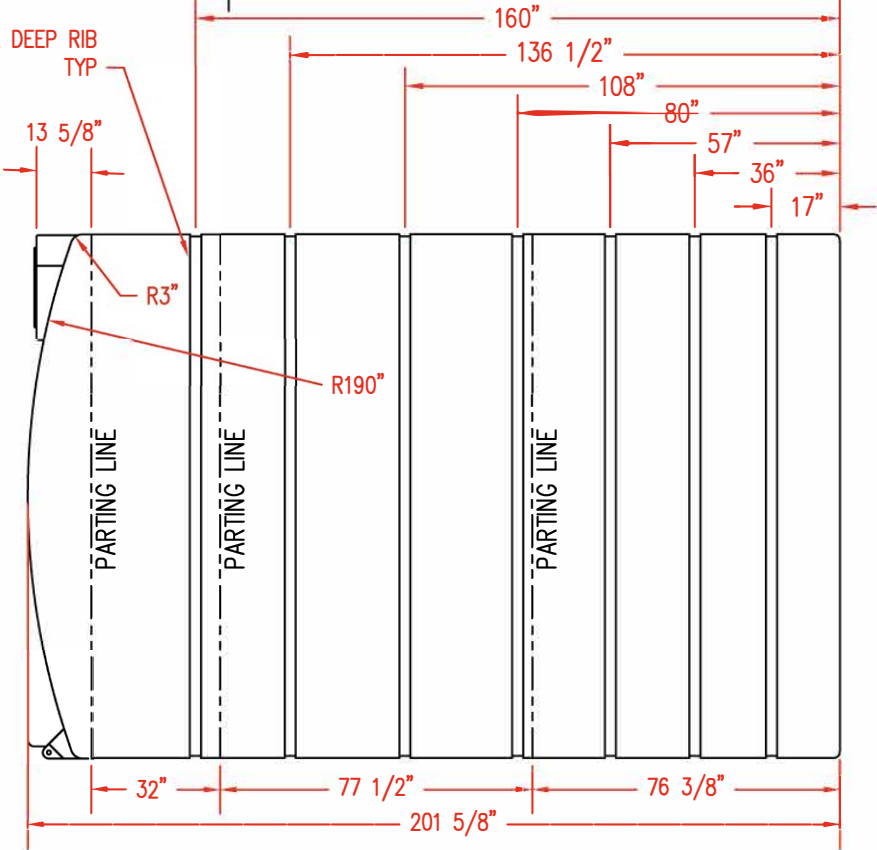
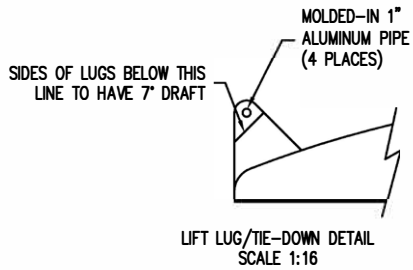
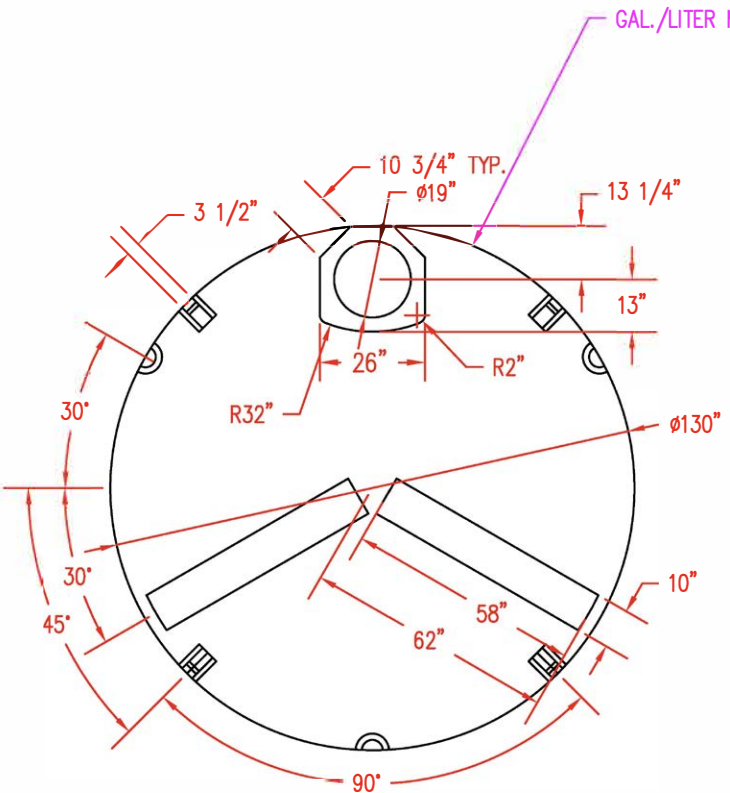


---

The  
**CARY**COMPANY  
Est. 1895

1195 W. Fullerton Ave. | Addison, IL 60101 | T: 630.629.6600 | F: 630.629.3690 |

REVISIONS				
ZONE	REV	DESCRIPTION	DATE	APPROVED



The CARY COMPANY Est. 1895				
3,000 GALLON VERTICAL STORAGE TANK				
JTP	24JUL03	SIZE B	FSCM NO.	DWG NO.
SCALE 1/32			SHEET	