

# IF YOU...



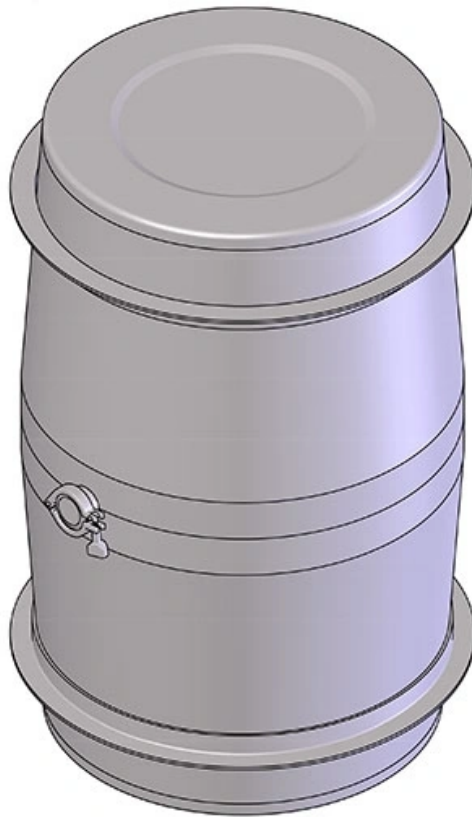
MIX IT. FILL IT. PACK IT. SHIP IT.

# WE HAVE A **PRODUCT** FOR YOU

Part #26BWB8

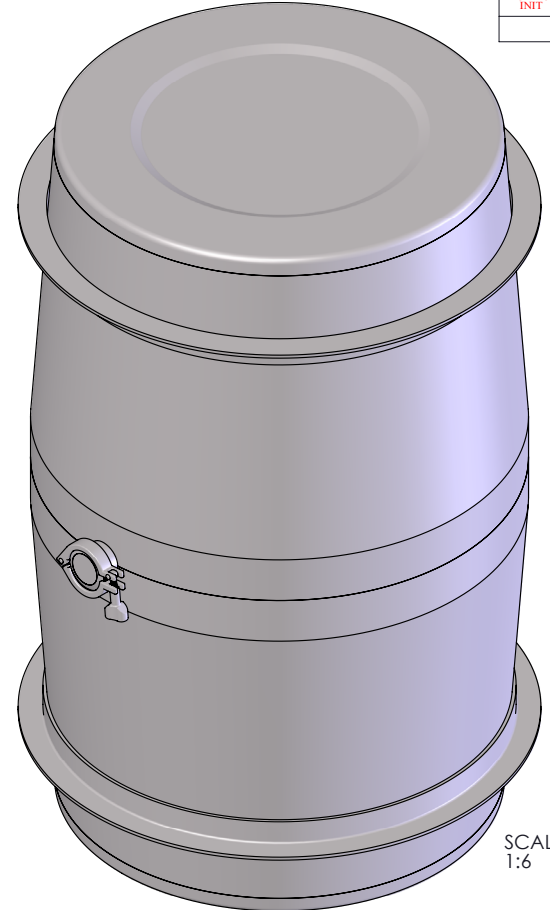
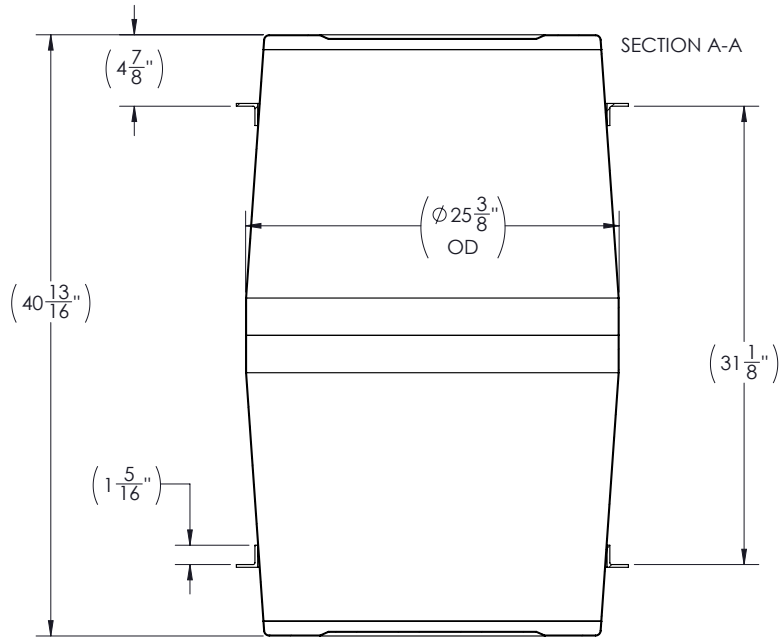
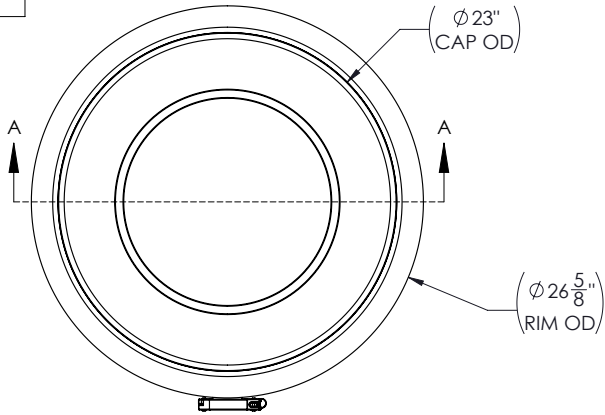
Stainless Steel Wine Barrels

**80 Gallon Stainless Steel Wine Barrel w/2 Tri-Clover**



The  
**CARY**COMPANY  
Est. 1895

IW80TB



ECN # of INIT	REV	DESCRIPTION	DATE
	A1	REDRAWN TO CAD	13-JUL-2015

MATL <b>DRUM: 16GA 304SS-2B</b>	DRW <b>LJT</b>	CHK <b>DZ</b>	<b>UNLESS STATED OTHERWISE</b> (DIMENSIONS IN PARENTHESIS ARE FOR REFERENCE ONLY!!!) <b>ALL DIMENSIONS ARE IN INCHES</b> DO NOT SCALE DRAWING (SCALE = 1:8) <b>TOLERANCES:</b> <b>FRACTIONS ±1/4</b>
FITTING: <b>304SS</b>	SLS <b>DR</b>	QA <b>SB</b>	
APR <b>RT</b>		FILE CREATED IN <b>SolidWorks</b>	3 <sup>RD</sup>

TARE WEIGHT:  
95 lbs

DESCRIPTION  
80 GALLON TIGHT HEAD DRUM  
2in TRI-CLOVER FITTING IN BODY CENTER  
STAINLESS STEEL

REL DATE 13-JUL-2015	PART NUM. / FILENAME <b>IW80TB</b>	REV <b>A</b>
-------------------------	---------------------------------------	-----------------

BEST PRINTED ON B-SIZE PAPER