

IF YOU...



MIX IT. FILL IT. PACK IT. SHIP IT.

WE HAVE A PRODUCT FOR YOU

Part #26BX55

Pressure and Vacuum Relief Vents

2" NPS New Low Profile Pressure/Vacuum Relief Vent,
EPDM O-Ring, Pressure 4.0-7.0 PSI, Vacuum 0.5 PSI, PE



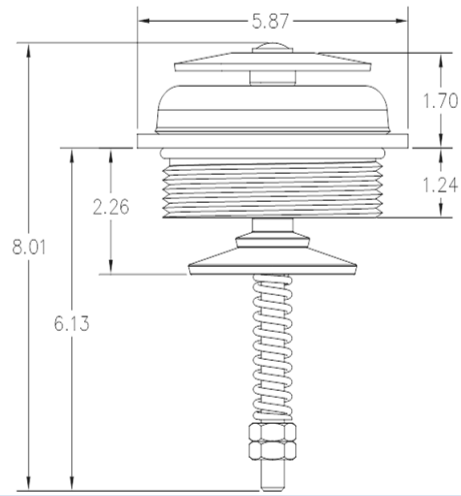
The
CARYCOMPANY
Est. 1895

Pressure/Vacuum Vent 2"NPS

P/N: 1656-200806

Pressure/Vacuum Vent

Parameter	Value	
Vent Type	Pressure / Vacuum	
Attachment	2- 11 1/2" NPSM	
Housing and Component Mat'l	HDPE	
Vent Seal Material	EPDM	
Spring Material	316SS	
Baffle	EPDM	
Filter	None	
*Available Relief Setting (psig)	Max	7.0
	Min	4.0
Available Vacuum Setting (-psig)	Max	0.5
	Min	0.5
Max Temperature (°F)	250	
Min Temperature (°F)	-60	
**Recommended Torque (ft-lb)	30	
Fusible Solder Material	NA	
Release Temperature (°F)	NA	



Requirement	Compliant
UN31A	Yes
REACH	No, Contains Nickel
RoHS	Yes
CA Prop 65	No, Contains Nickel



WARNING

This product can expose you to chemicals including nickel, which is known to the State of California to cause cancer. For more information see www.p65warnings.ca.gov.

*Setting to be specified at time of purchase

**Always follow tank manufacturer guidelines

