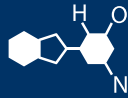


IF YOU...



MIX IT. FILL IT. PACK IT. SHIP IT.

WE HAVE A **PRODUCT** FOR YOU

Part #26W05T

Tight Head Steel Drums

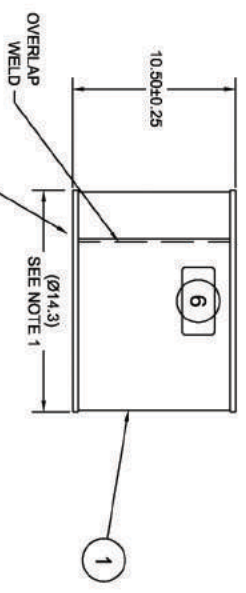
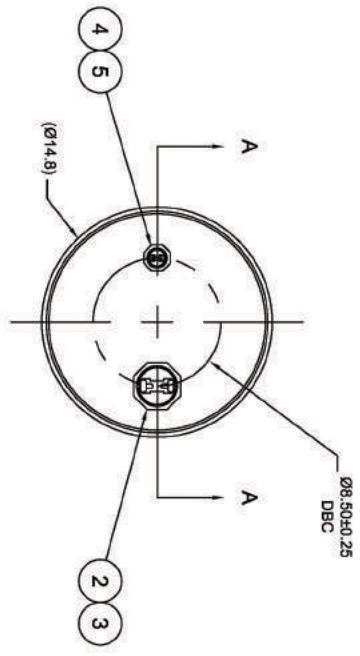
5 Gallon Tight Head Steel Drum, UN Rated, 2" & 3/4"
Fittings, Unlined



The
CARYCOMPANY
Est. 1895

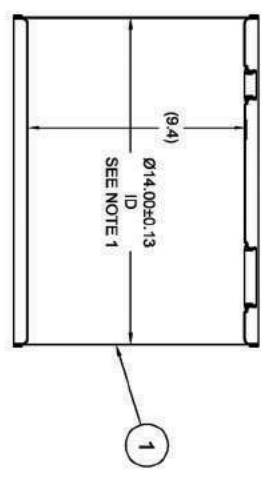
1195 W. Fullerton Ave. | Addison, IL 60101 | T: 630.629.6600 | F: 630.629.3690 | TheCaryCompany.com

ICON #	REV	DESCRIPTION	DATE
OE-005	A1	REDRAWN TO AutoCAD	28-MAR-2012



UN NUMBER EMBOSSED ON BOTTOM OF DRUM
 1/2 CHARACTERS
 UN/1A1/X1.6/250
 0.9"
 (YR = YEAR OF MANUFACTURE)

SECTION A-A
SHOWN WITH PLUGS
REMOVED



- NOTES:**
- TO DETERMINE GREATER ACCURACY OF ANY DIAMETRIC DIMENSION, MEASURING OF CIRCUMFERENCE IS REQUIRED
 - CONSTRUCTION per 49 CFR § 178.504 (b)

MATERIAL:
 1. DRUM BODY AND COVER CRCC CARBON STEEL PER ASTM A1008 OR ASTM A568 OR EQUIVALENT
 2. MATERIAL THICKNESS 0.9mm (0.0319 - 0.0370, 20 GAUGE)

FINISH:
 1. DRUM BODY/BOTTOM EXTERIOR PAINTED BLACK (LQ10003)
 TOP PAINTED WHITE (LQ10022)

ITEM	P/N	DESCRIPTION	QTY
6		UN DURABLE LABEL	1
5	PT3000	PLUG 3/4 TS BUNA GASKET	1
4	FT3000	FLANGE 3/4 TS BUNA GASKET	1
3	PT2000	PLUG 2 TS BUNA GASKET	1
2	FT2000	FLANGE 2 TS BUNA GASKET	1
1		5 GALLON TIGHT HEAD DRUM	1

UNLESS STATED OTHERWISE (DIMENSIONS IN PARENTHESES ARE FOR REFERENCE ONLY)		DRAWN		CHKD		FILED	
		BR	LIT	JG	QA	DATE	BY
			DR	MD		28-MAR-2012	
		G. Petersen		MD		AutoCAD 2002	
		3 RD		ALL DIMENSIONS ARE IN INCHES DO NOT SCALE DRAWING TOLERANCES: FRACTIONS 1/16		X.XX ± 0.2 X.XXX ± 0.10 X.XXXX ± 0.030	
		TARE WEIGHT: 10 lbs		DESCRIPTION		PART NO./FILENAME	
				5 GALLON TIGHT HEAD DRUM 0.9 - 0.9 - 0.9 CRCC 1A1/X1.6/250		28-MAR-2012	
				REVISION		REV	
				A1		A1	

BEST PRINTED ON B-SIZE PAPER