

# IF YOU...



MIX IT. FILL IT. PACK IT. SHIP IT.

# WE HAVE A PRODUCT FOR YOU



10 Gallon Steel Drum, UN Rated, Cover w/  
Bolt Ring Closure, 2" & 3/4" Fittings

*Product Category: Open Head Steel Drums*

|                  |  |
|------------------|--|
| Part #           | 26W10D   |
| Capacity         | 10 gal.  |
| Condition        | New  |
| Color            | Black w/ White Cover                                       |
| Material         | Carbon Steel   |
| Closure          | Cover w/ Bolt Ring Closure                                 |
| Lining           | Rust Inhibitor Enamel                                      |
| Steel Thickness  | 0.9/0.9/0.9 (Top/Body/Bottom)                              |
| Steel Gauge      | 20/20/20 (Top/Body/Bottom)                                 |
| Fittings         | 2" NPT & 3/4" NPT  |
| Gasket           | EPDM Rubber Gasket   |
| Dimensions       | 14"Dia. X 18.63"H (inside)<br>14.3"Dia. x 18.9"H (outside) |
| UN Rating Liquid | UN1A2/Y1.8/150   |
| UN Rating Solid  | UN1A2/X120/S   |

200100

| ECN # or INIT | REV | DESCRIPTION               | DATE        |
|---------------|-----|---------------------------|-------------|
|               | A   | RELEASE                   | 06-FEB-2008 |
| LJT           | A1  | CORRECTED CLERICAL ERRORS | 28-AUG-2008 |
| LJT           | B   | WAS GE0503                | 22-JUL-2010 |
| OE-001        | B1  | CLERICAL ERROR            | 01-APR-2013 |
| OE-013        | B2  | CORRECTED HOOP GEOMETRY   | 16-APR-2013 |
| OE-001        | B3  | CLERICAL ERROR            | 19-APR-2013 |

**NOTES:**

1. THIS DIMENSION REPRESENTS DRUM AFTER BEING PROPERLY ASSEMBLED AND CLOSED PER CLOSING INSTRUCTIONS
2. TO DETERMINE GREATER ACCURACY OF ANY DIAMETRIC DIMENSION, MEASURING OF CIRCUMFERENCE IS REQUIRED
3. CONSTRUCTION per 49 CFR §178.504 (b)

**MATERIAL:**

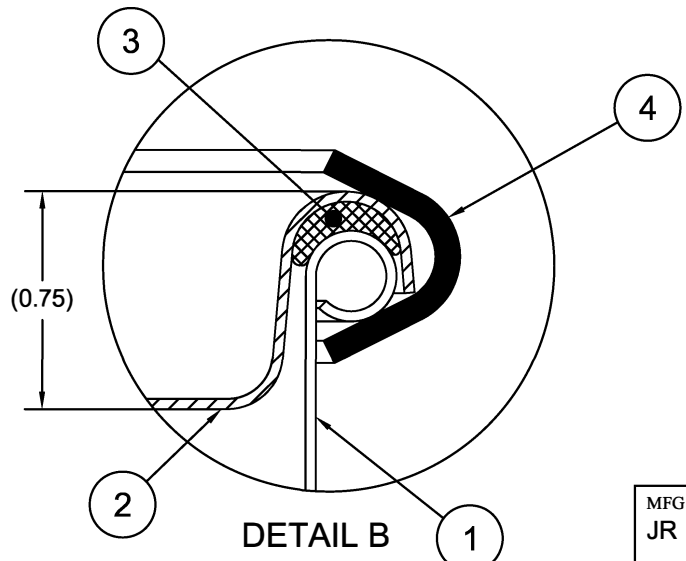
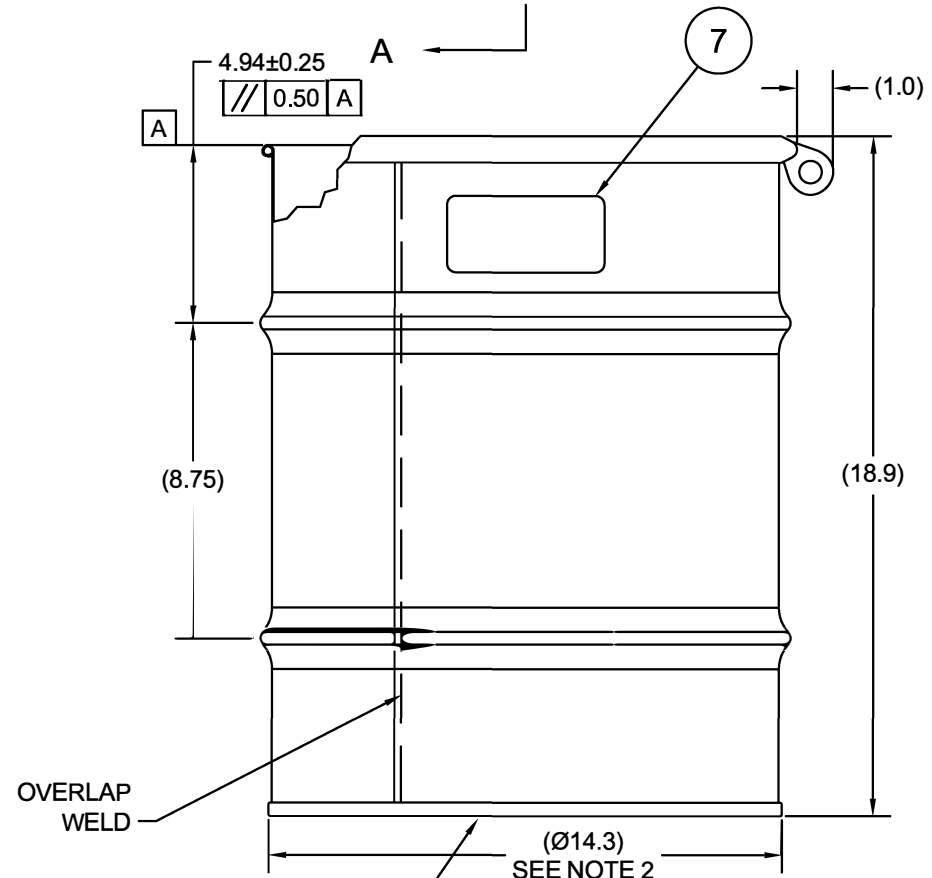
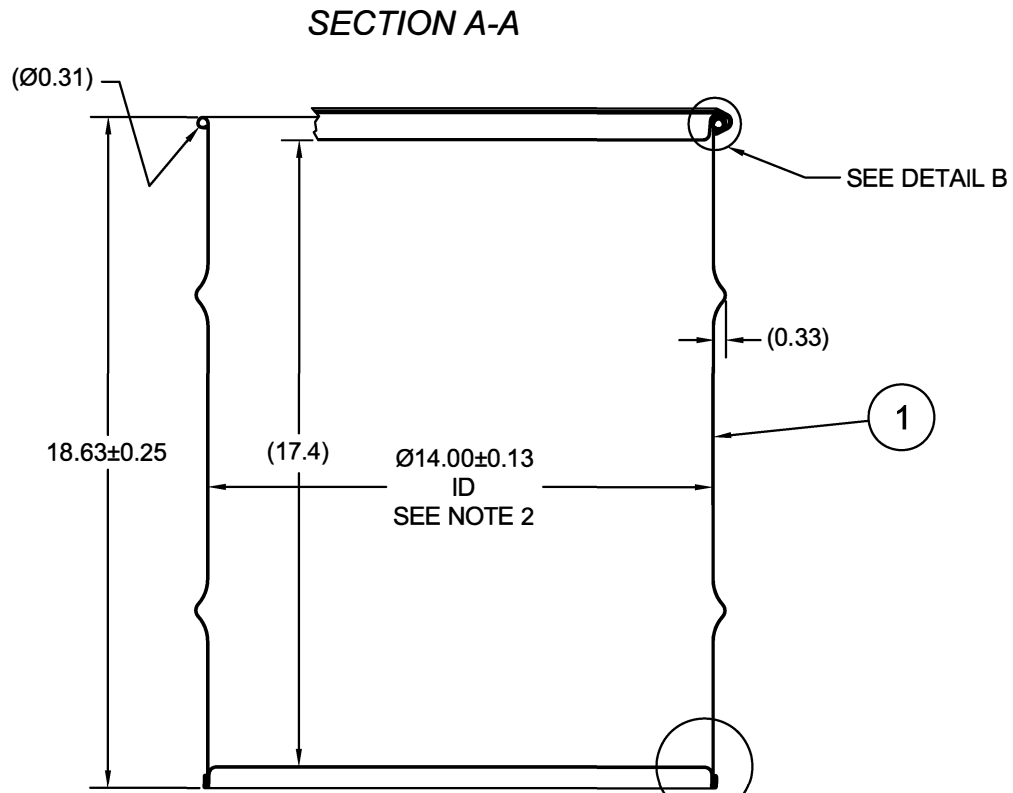
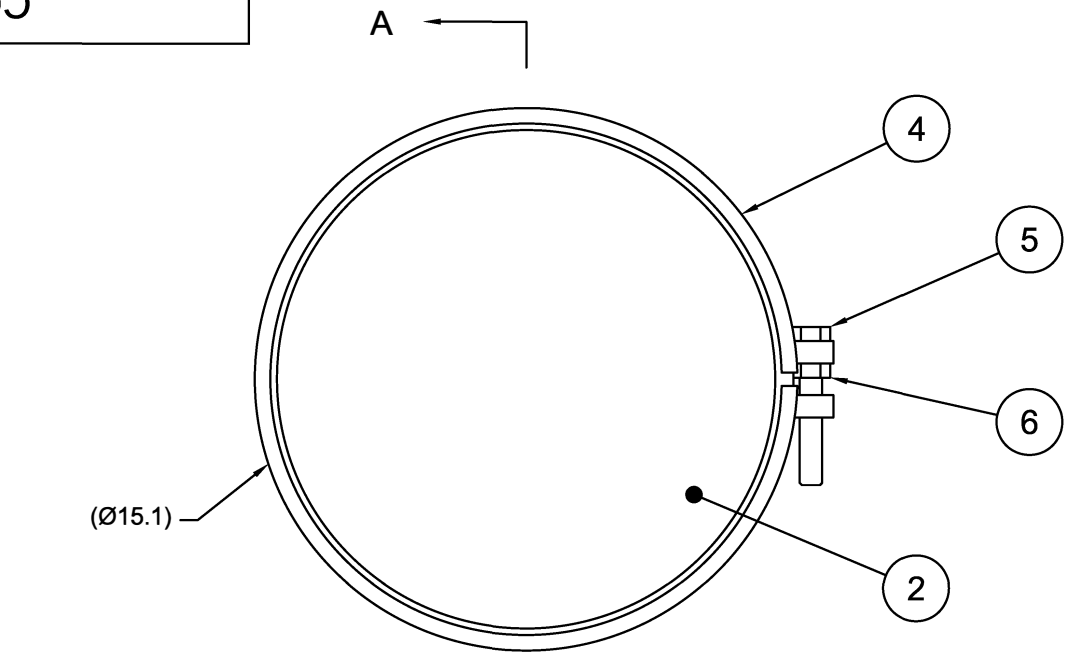
1. CRCQ CARBON STEEL PER ASTM A1008 AND ASTM A568 OR EQUIVALENT
2. MATERIAL THICKNESS: 0.9mm (0.0319 - 0.0370, 20 GAUGE)
3. GASKET MAT'L PER ASTM D1056

**FINISH:**

1. COVER EXTERIOR PAINTED WHITE (LQ10020)
- BODY/BOTTOM EXTERIOR PAINTED BLACK (LQ10003)

| ITEM | P/N       | DESCRIPTION                        | QTY |
|------|-----------|------------------------------------|-----|
| 7    |           | UN DURABLE LABEL                   | 1   |
| 6    | NT5800    | 5/8-11UNC HEX JAM NUT              | 1   |
| 5    | BT5840    | 5/8-11UNC X 4in LONG HEX HEAD BOLT | 1   |
| 4    | RBH1413   | BOLT RING (MOD A) 14 ID DRUM 13GA  | 1   |
| 3    | GE0503-01 | GASKET 3/8 DIA RD EPDM             | 1   |
| 2    | P1409     | COVER 14 ID                        | 1   |
| 1    |           | BODY/BOTTOM 5 GALLON DRUM 14 ID    | 1   |

|                                 |  |   |   |  |  |  |
|---------------------------------|--|---|---|--|--|--|
| MFG<br>JR                       |  | DRW<br>LJT  | CHK<br>BG   | <p><b>UNLESS STATED OTHERWISE</b><br/>         (DIMENSIONS IN PARENTHESIS ARE FOR REFERENCE ONLY!!!)<br/>         ALL DIMENSIONS ARE IN INCHES<br/>         DO NOT SCALE DRAWING<br/>         TOLERANCES:<br/>         FRACTIONS ±1/4      X° ± 3°<br/>            X.X ± 0.2<br/>            X.XX ± 0.10<br/>            X.XXX ± 0.030</p> | <p>The<br/> <b>CARY COMPANY</b><br/>         Est. 1895</p> |  |
| SLS                             |  | QA<br>MD  | <p>DESCRIPTION<br/>         10 GALLON OPEN HEAD DRUM<br/>         0.9 - 0.9 - 0.9 CRCQ STEEL<br/>         1A2/X120/S &amp; 1A2/Y1.8/150</p> |  |  |  |
| APR<br>Jesse Sanchez            |  | <p>REL. DATE      PART NUM. / FILENAME      REV</p> |   |  |  |  |
| FILE CREATED IN<br>AutoCAD 2002 |  | <p>04-FEB-2008      CQ1002      B3</p>              |   |  |  |  |



UN NUMBER EMBOSSED ON BOTTOM OF DRUM  
 ½" CHARACTERS READING:  
 UN/1A2/X120/S/YR  
 UN/1A2/Y1.8/150/YR  
 0.9 \*

(YR = YEAR OF MANUFACTURE)

TARE WEIGHT:  
15 lbs