

IF YOU...



MIX IT. FILL IT. PACK IT. SHIP IT.

WE HAVE A PRODUCT FOR YOU

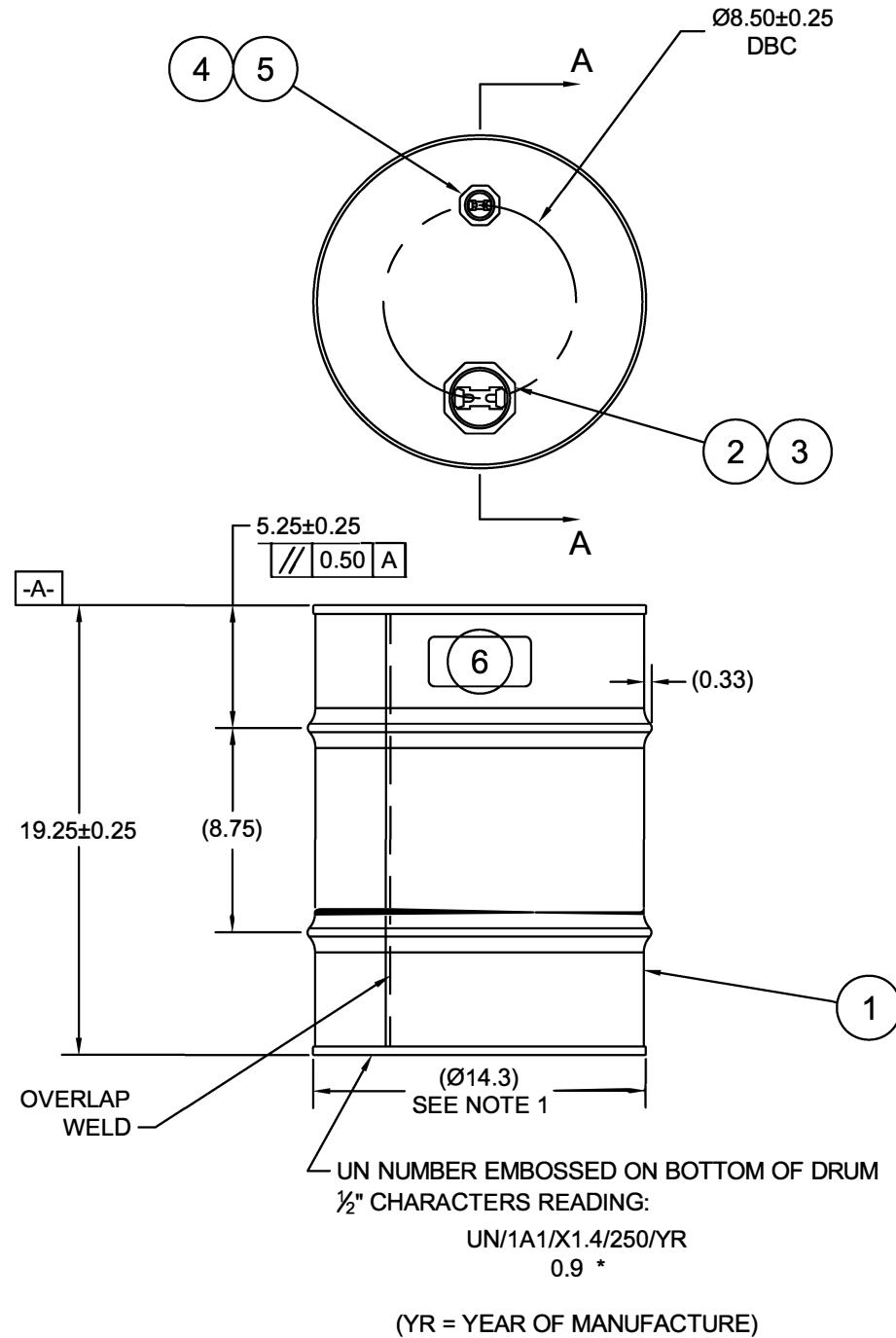


Part #	26W10T
Capacity	10 gal.
Condition	New
Color	Black w/ White Cover
Material	Carbon Steel
Closure	Tight Head (Closed)
Lining	Rust Inhibitor Enamel
Steel Thickness	0.9/0.9/0.9 (Top/Body/Bottom)
Steel Gauge	20/20/20 (Top/Body/Bottom)
Fittings	2" NPT & 3.4" NPT
Gasket	Buna Gasket
Dimensions	14"Dia. X 18.1"H (inside) 14.3"Dia. x 19.25"H (outside)
UN Rating Liquid	UN1A1/X1.4/250

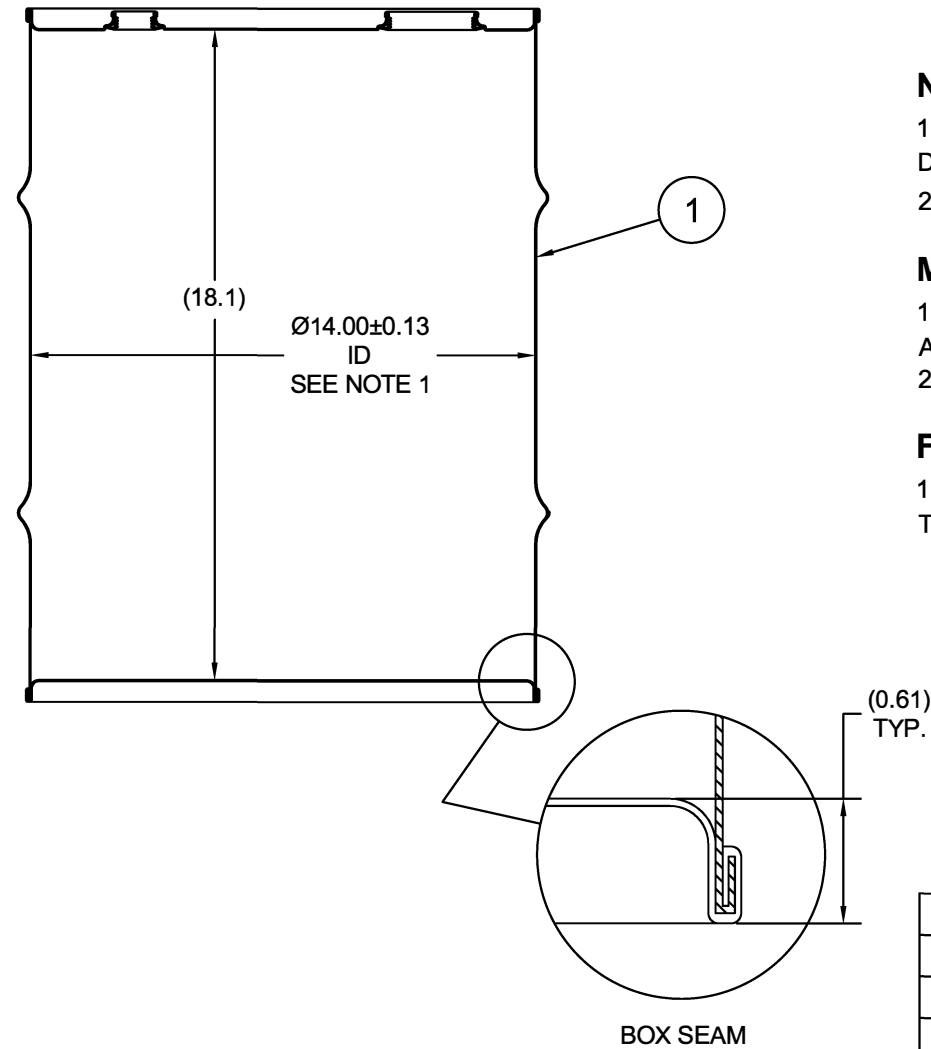


00100

ECN # or INIT	REV	DESCRIPTION	DATE
OE-005	A1	REDRAWN TO AutoCAD	05-DEC-2012
OE-001	A2	ADDED VIEW & CLERICAL ERROR	16-APR-2013
OE-013	A3	REVISED HOOP PROFILE	19-APR-2013



SECTION A-A
SHOWN W/ PLUGS REMOVED



NOTES:

1. TO DETERMINE GREATER ACCURACY OF ANY DIAMETRIC DIMENSION, MEASURING OF CIRCUMFERENCE IS REQUIRED
2. CONSTRUCTION per 49 CFR §178.504 (b)

MATERIAL:

1. DRUM BODY AND COVER CRCQ CARBON STEEL PER ASTM A1008 AND ASTM A568 OR EQUIVALENT
2. MATERIAL THICKNESS 0.9mm (0.0319 - 0.0370, 20 GAUGE)

FINISH:

1. DRUM BODY/BOTTOM EXTERIOR PAINTED BLACK (LQ10003) TOP PAINTED WHITE (LQ10020)

ITEM	P/N	DESCRIPTION	QTY
6		UN DURABLE LABEL	1
5	PT3000	PLUG 3/4 TS BUNA GASKET	1
4	FT3000	FLANGE 3/4 TS BUNA GASKET	1
3	PT2000	PLUG 2 TS BUNA GASKET	1
2	FT2000	FLANGE 2 TS BUNA GASKET	1
1		10 GALLON TIGHT HEAD DRUM	1

TARE WEIGHT:
14 lbs

MFG BR	DRW LJT	CHK JG	UNLESS STATED OTHERWISE (DIMENSIONS IN PARENTHESIS ARE FOR REFERENCE ONLY!!!) ALL DIMENSIONS ARE IN INCHES DO NOT SCALE DRAWING TOLERANCES: FRACTIONS ±1/4
	SLS	QA MD	
	Petersen		
	FILE CREATED IN AutoCAD 2002	3 RD	X° ± 3° X.X ± 0.2 X.XX ± 0.10 X.XXX ± 0.030

The CARY COMPANY <small>Est. 1895</small>		
DESCRIPTION 10 GALLON TIGHT HEAD DRUM 0.9 - 0.9 - 0.9 CRCQ 1A1/X1.4/250		
REL. DATE	PART NUM. / FILENAME	REV
-	CQ1003	A3