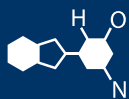


IF YOU...



MIX IT. FILL IT. PACK IT. SHIP IT.

WE HAVE A **PRODUCT** FOR YOU



Part #

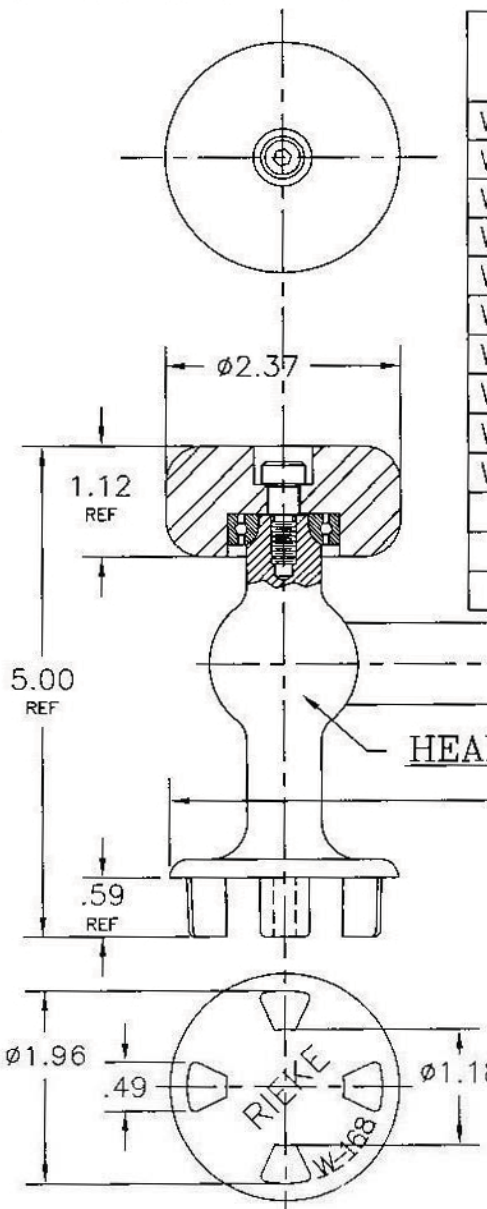
26W126

Color

Green

Material

Cast Iron



DETAIL #	COLOR	HEAD MATERIAL	HANDLE	TORQUE +15%/-10% (FT-LBS)	"A" ±.25
W0126	GREEN	CAST IRON	PIPE	----	13.75
W0126PT01	YELLOW	CAST IRON	PRESET TORQUE W/RUBBER	20	14.50
W0126PT02	RED	CAST IRON	PRESET TORQUE W/RUBBER	30	14.50
W0126PT03	BLUE	CAST IRON	PRESET TORQUE W/RUBBER	40	14.50
W0126PT04	PURPLE	CAST IRON	PRESET TORQUE W/RUBBER	25	14.50
W0126S	BRONZE/BLACK	BRONZE SPARKLESS	PIPE, TAPED	----	13.50
W0126SPT01	BRONZE/YELLOW	BRONZE SPARKLESS	PRESET TORQUE TAPED W/RUBBER	20	14.25
W0126SPT02	BRONZE/RED	BRONZE SPARKLESS	PRESET TORQUE TAPED W/RUBBER	30	14.25
W0126SPT03	BRONZE/BLUE	BRONZE SPARKLESS	PRESET TORQUE TAPED W/RUBBER	40	14.25
W0126SPT04	BRONZE/BLACK	BRONZE SPARKLESS	PRESET TORQUE TAPED W/RUBBER	25	14.25

2" PLUGS		
PPA-51	PPA-57-B-5	S-220-2 VGII
PPA-53	PPA-71	S-250 VGII
PPA-53-B-5	PPA-81	T250
PPA-55	PPN-61	
PPA-56	PPN-71	
PPA-57	PPN-81	

CUSTOMER DRAWING

DETAIL NAME		WRENCH	
TOOL ASSY. NAME		PRONG/SPINNER STYLE WRENCH	
PRODUCT	2" PLUGS	TOOL ASS'Y NUMBER	W0126
DRAWING NUMBER	24000147	DETAIL NUMBER	SEE CHART
FOR			
MATERIAL	SEE CHART	TEMPER	

BREAK ALL SHARP EDGES WITH 1/64" RADIUS, UNLESS OTHERWISE SPECIFIED		DATE	DRAWN BY
THE FOLLOWING TOLERANCES APPLY UNLESS OTHERWISE SPECIFIED:		7-3-07	J. HESS
ANGLES	±1/4"	SCALE	CHECKED
HUNDRETH	±.015	NTS	KEH
THOUSANDTH	±.002		APPROVED

Supplied By: **The Cary Company**
 Ph: 630-629-6600
 www.thecarycompany.com

