

# IF YOU...



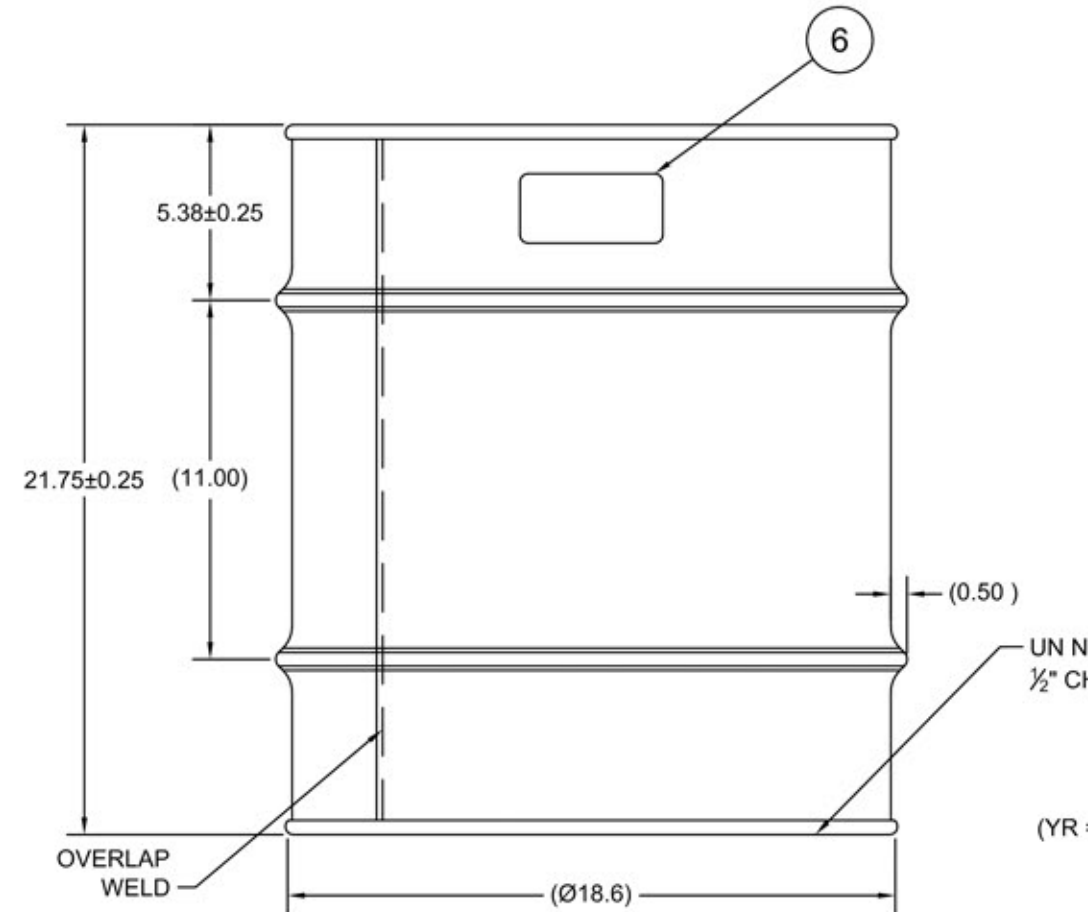
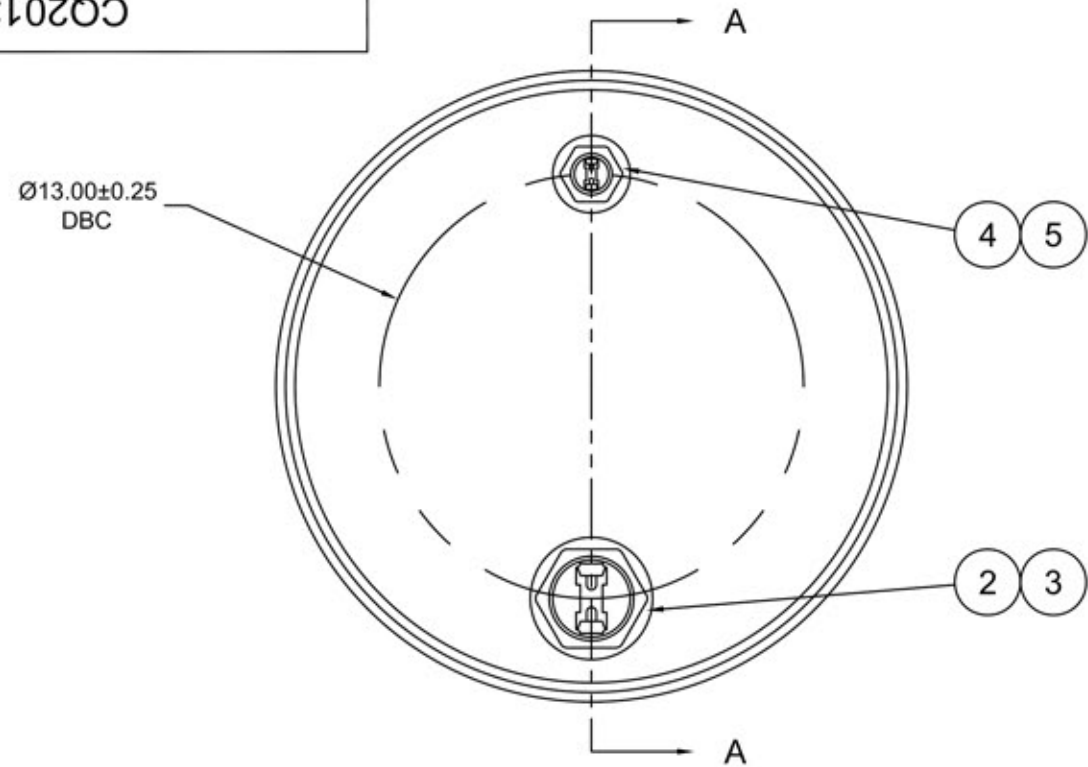
MIX IT. FILL IT. PACK IT. SHIP IT.

# WE HAVE A PRODUCT FOR YOU

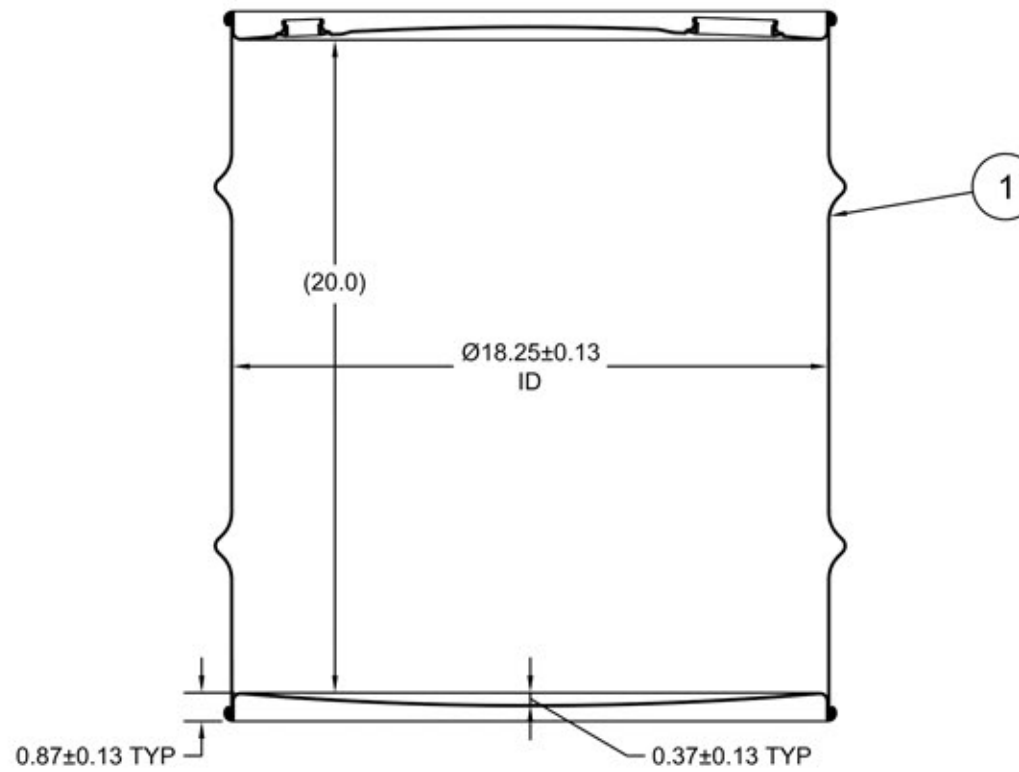


Part #	26W20T
Capacity	20 gal.
Condition	New
Color	Black w/ White Cover
Material	Carbon Steel
Closure	Tight Head (Closed)
Lining	Rust Inhibitor Enamel
Steel Thickness	1.5/0.9/1.5 (Top/Body/Bottom)
Steel Gauge	16/20/16 (Top/Body/Bottom)
Fittings	2" NPT & 3.4" NPT
Gasket	Buna Gasket
Dimensions	18.25" Dia. x 20" H (inside) 18.6" Dia. x 21.75" H (outside)
UN Rating Liquid	UN1A1/X1.2/300

CQ2013



SECTION A-A  
(SHOWN W/ PLUGS REMOVED)



ECN #	REV	DESCRIPTION	DATE
	A	RELEASED	12-MAY-2008
07-021	A1	WAS BOX CHIME (DRAWING UPDATE ONLY)	19-JAN-2012
OE-001	A2	CLERICAL ERROR	01-APR-2013

NOTES:

1. TO DETERMINE GREATER ACCURACY OF ANY DIAMETRIC DIMENSION, MEASURING OF CIRCUMFERENCE IS REQUIRED
3. CONSTRUCTION per 49 CFR §178.504 (b)

MATERIAL:

1. DRUM BODY AND COVER CRCQ CARBON STEEL PER ASTM A1008 OR ASTM A568 OR EQUIVALENT
2. MATERIAL THICKNESS: TOP & BOTTOM 1.5mm (0.0543 - 0.0590; 16 GAUGE), BODY 0.9mm (0.0319 - 0.0370; 20 GAUGE)

FINISH:

1. BODY/BOTTOM EXTERIOR PAINTED BLACK (LQ10003)  
TOP EXTERIOR PAINTED WHITE (LQ10020)

6		UN DURABLE LABEL	1
5	PT3000	PLUG 3/4 TS BUNA GASKET	1
4	FT3000	FLANGE 3/4 TS BUNA GASKET	1
3	PT2000	PLUG 2 TS BUNA GASKET	1
2	FT2000	FLANGE 2 TS BUNA GASKET	1
1		20 GALLON TIGHT HEAD	1
ITEM	P/N	DESCRIPTION	QTY

UN NUMBER EMBOSSED ON BOTTOM OF DRUM  
1/2" CHARACTERS READING:  
UN/1A1/X1.2/300/YR  
1.5 - 0.9 - 1.5 \*  
(YR = YEAR OF MANUFACTURE)

TARE WEIGHT:  
26 lbs

MFG	DRW	CHK
JR	LJT	JM
SLS	DR	QA
MD	MD	
APR	Bora Rasic	
FILE CREATED IN	AutoCAD 2002	

UNLESS STATED OTHERWISE  
(DIMENSIONS IN PARENTHESIS ARE FOR REFERENCE ONLY!!!)  
ALL DIMENSIONS ARE IN INCHES  
DO NOT SCALE DRAWING  
TOLERANCES:  
FRACTIONS ±1/4  
X° ± 3°  
X.X ± 0.2  
X.XX ± 0.10  
X.XXX ± 0.030

The **CARY COMPANY** Est. 1895

DESCRIPTION  
20 GALLON TIGHT HEAD DRUM  
1.5 - 0.9 - 1.5 CRCQ STEEL  
1A1/X1.2/300

REL. DATE	PART NUM. / FILENAME	REV
12-MAY-2008	CQ2013	A2