

IF YOU...



MIX IT. FILL IT. PACK IT. SHIP IT.

WE HAVE A **PRODUCT** FOR YOU

Part #26W50L

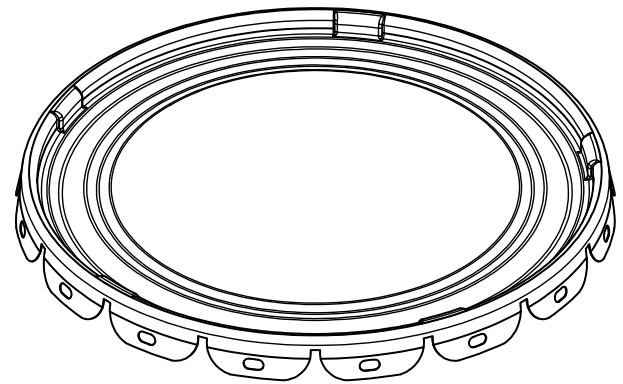
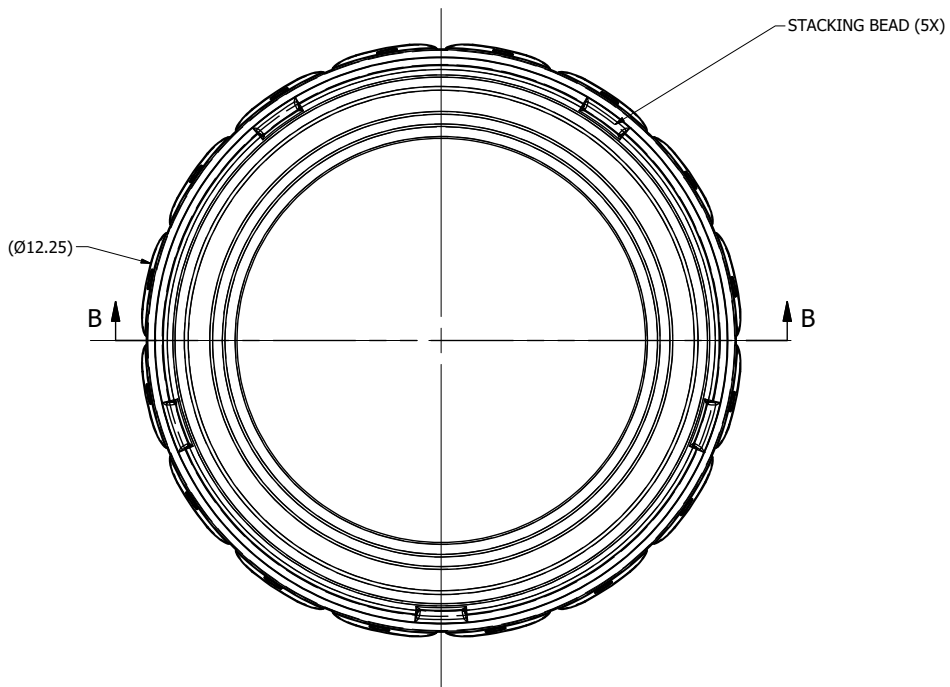
Steel Pail Lids

24 Gauge Steel Lug Cover, UN Rated, Gold Phenolic Lined
(S3 Series)

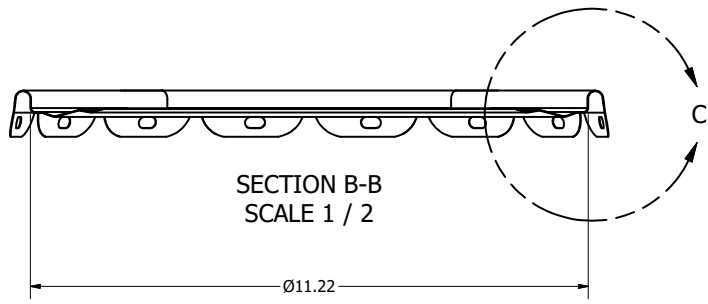
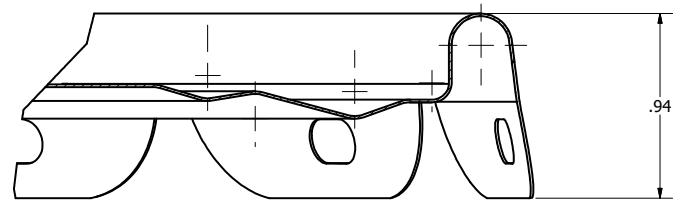


The
CARYCOMPANY
Est. 1895

1195 W. Fullerton Ave. | Addison, IL 60101 | T: 630.629.6600 | F: 630.629.3690 | TheCaryCompany.com



DETAIL C
SCALE 2 : 1



SECTION B-B
SCALE 1 / 2

"NON" UN LUG COVER

ROUND EDGES = 1/64" R U.O.S. TOLERANCES U.O.S.		DRAWN BY uan zavala	4/3/2013		
ANGLES	+/- 1/4"	CHECKED			
HUNDRETHS	+/- 0.01	APPROVED		TITLE: NON UN LUG COVER 2 OPERATION 11.25 DIAMETER PAIL	
THOUSANDTHS	+/- 0.002	MATERIAL:		SIZE C	DWG NO PD000-5-017
FINISH	☑	N/A		SCALE	REV
				SUPERCEDES:	