

IF YOU...

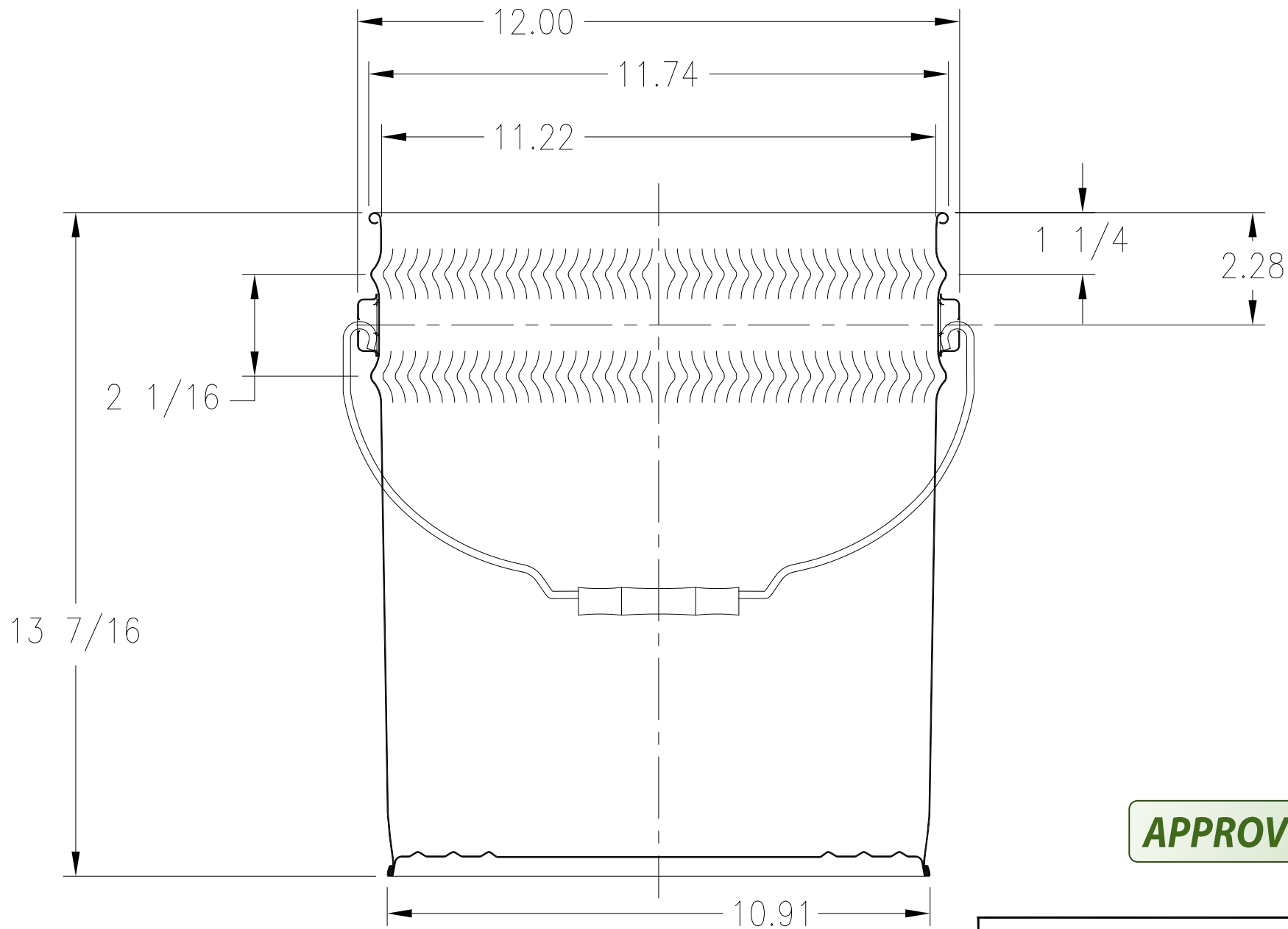


MIX IT. FILL IT. PACK IT. SHIP IT.

WE HAVE A PRODUCT FOR YOU

Part # 26W70N





APPROVED

NOTE
PAILS ARE AVAILABLE IN STANDARD AND U.N. CERTIFIED.

The
CARY COMPANY
Est. 1895

11-1/4" DIAMETER - 5 GALLON
OPEN HEAD 2-1/16" DOUBLE BEAD
TAPERED PAIL

DRAWN BY:	SCALE	REV. BY	NO.	DATE	REVISION DESCRIPTION
J.Z	~				
CHECKED BY:	DATE				
	2-07-13				
APPROVED BY:					

LOCATION	SUPERCEDES	MATERIAL	PRINT NO.	REV.
HMVL, CHGO, NB			PD500-5-026	A