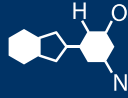


IF YOU...



MIX IT. FILL IT. PACK IT. SHIP IT.

WE HAVE A **PRODUCT** FOR YOU

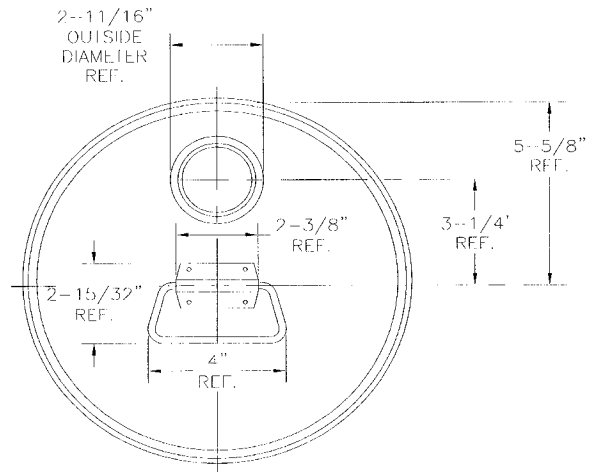
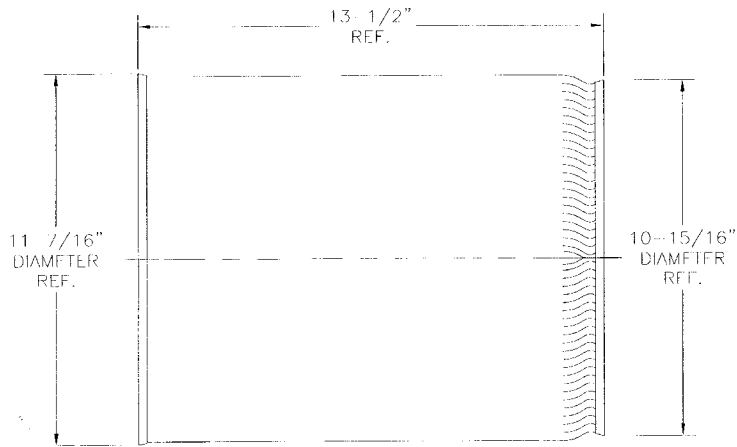
Part #26W88B

Tight Head Steel Pails

**5 Gallon Black Tight Head Steel Pail, Rieke
Opening, Unlined**



The
CARYCOMPANY
Est. 1895



DRAWN BY:	SCALE	REV. BY	NO.	DATE	REVISION DESCRIPTION
JZ	NONE				
CHECKED BY:	DATE				
BH	1-21-11				

11-1/4" DIAMETER - 5 GALLON
CLOSE TOP, STRAIGHT SIDED PAIL
WITH RIEKE FLEXSPOUT FITTING