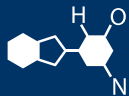


IF YOU...



MIX IT. FILL IT. PACK IT. SHIP IT.

WE HAVE A **PRODUCT** FOR YOU

Part # 26WA43

IBC Dust & Fill Port Caps

**2" NPT Yellow HDPE Bung Plug
w/Vent, EPDM Gasket**

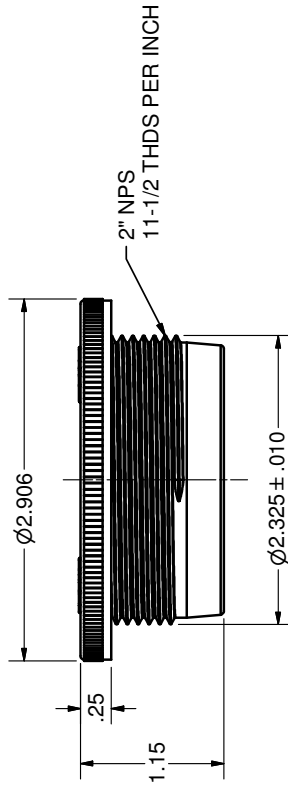
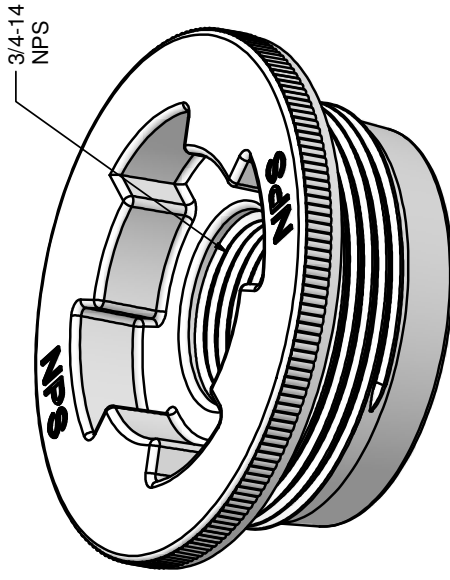
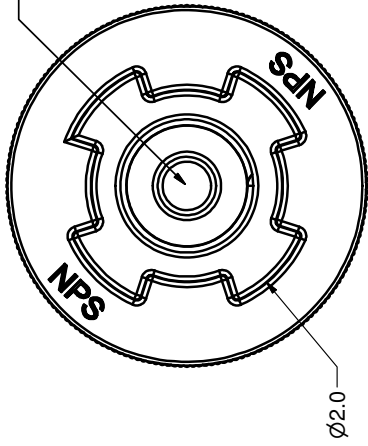


The
CARYCOMPANY
Est. 1895

1195 W. Fullerton Ave. | Addison, IL 60101 | T: 630.629.6600 | F: 630.629.3690 | TheCaryCompany.com

#26WA43

OPTIONAL VENTED HOLE
EXPANDED PTFE .50 X .015 THICK
HEAT STAKE TO PLUG



NOTICE

ALL PARTS MUST HAVE THE DRAWING NUMBER,
DATE AND MANUFACTURER'S I.D. ENGRAVED ON
THEM.

TOLERANCE

BREAK ALL SHARP EDGES UNLESS SPECIFIED	FRAC ± 1/64	DECIMALS .XX ± .005
	ANGLES ± 0° 30'	.XXX ± .002
		.XXXX ± .0005

DO NOT SCALE PRINT

MATL HDPE HT TR.

SHEET 1 OF 1

Loc:

NEXT ASSY:

The **CARY COMPANY** Est. 1895

TITLE: **NPS PLUG L-16 WL**

DESIGNED:

DATE:

SCALE:

ECN:

DRAWN:

DATE:

SCALE:

ECN:

CHECKED:

DATE:

DWG NO:

REV

1011-83-B-03

RJ

2/23/07

1011-83-B-03

REV