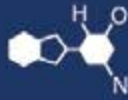


# IF YOU...



MIX IT. FILL IT. PACK IT. SHIP IT.

# WE HAVE A PRODUCT FOR YOU

Part #: 26WA4N

---

---



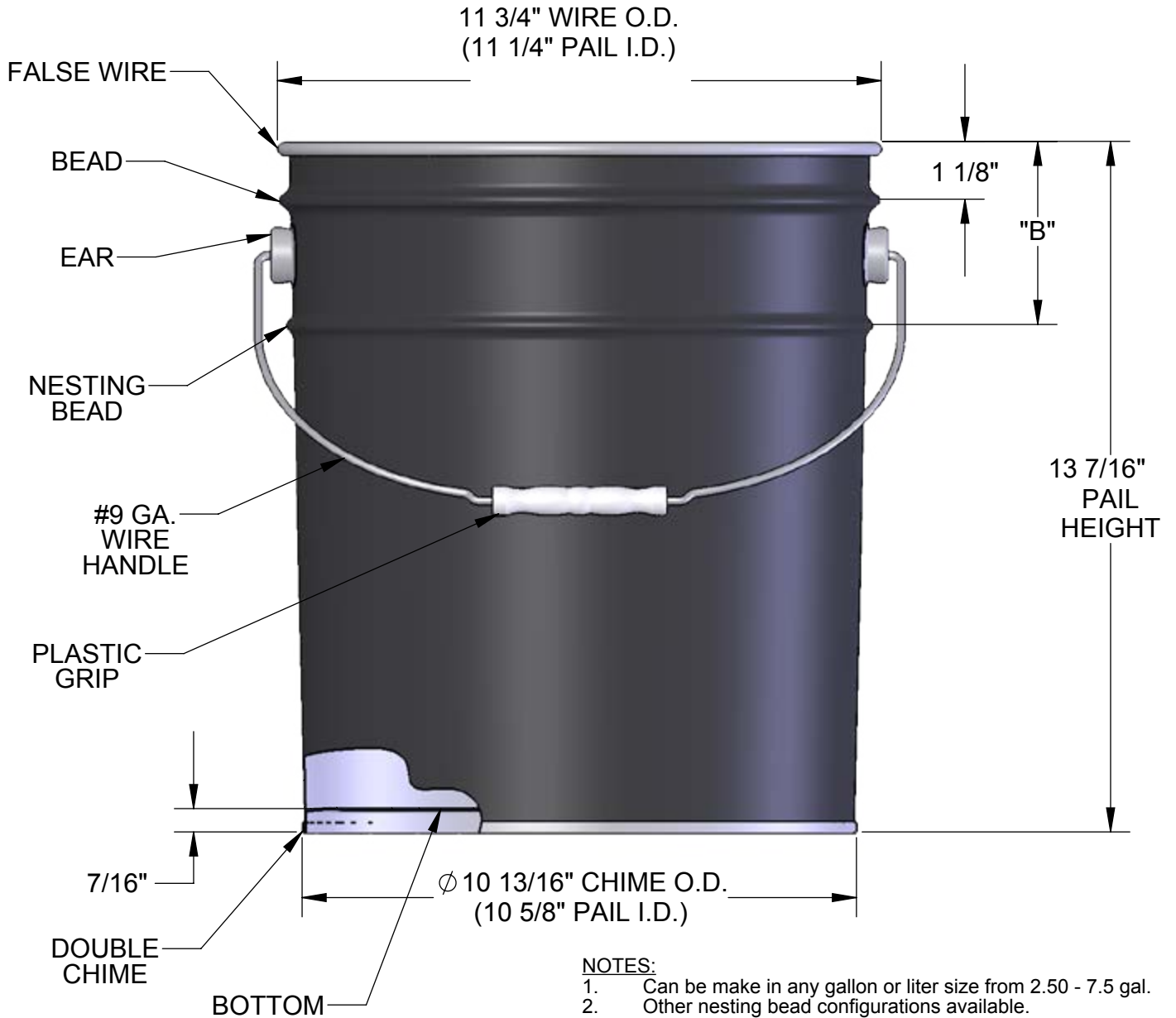
---

The  
**CARY**COMPANY  
Est. 1895

1195 W. Fullerton Ave. | Addison, IL 60101 | T: 630.629.6600 | F: 630.629.3690 |

Part # 26WA4N

Steel Open Head Nested Pail - UN Rated UN1A2/Y1.5/90



Capacity								
Dimension					5 gal.			
"A"					13 7/16"			
"B"					3 9/16"			