

Part#: 26WAM5



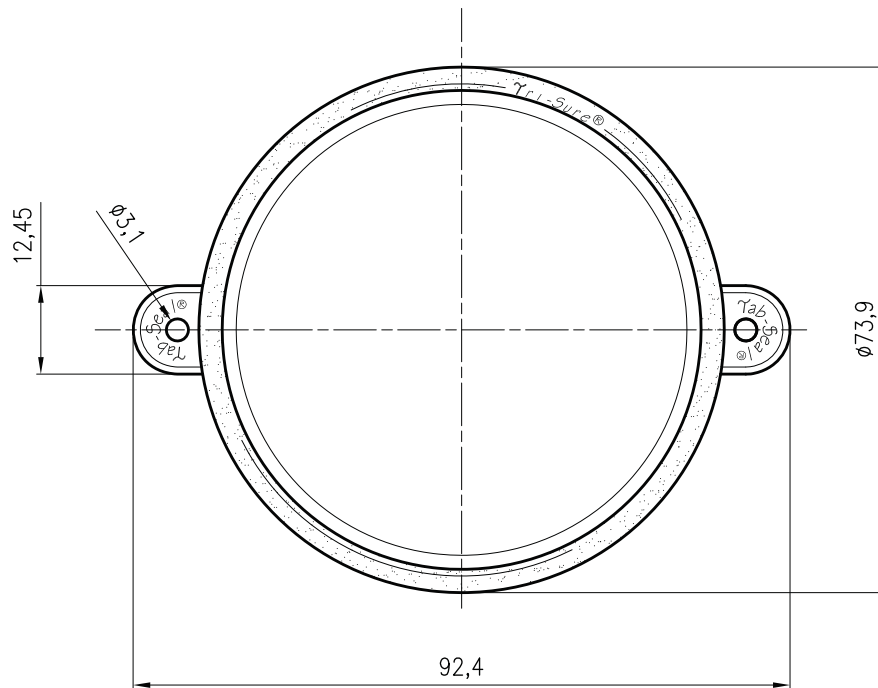
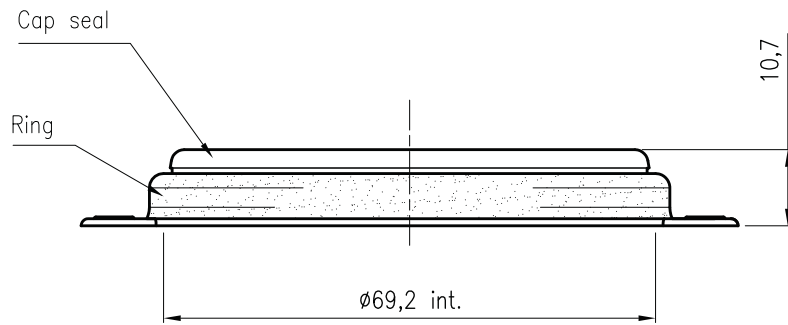
Part#
26WAM5

Capacity
2" Plastic Tabseal Crimping Tool

Description
for 2" Round-Head Plastic Capseals
w/ Aluminum Ring #26WTP2 or 26WTP4



Supplied By: **The Cary Company**
Ph: 630-629-6600
www.thecarycompany.com



2	1	2" Tab-Seal (R) plastic cap seal	.	LDPE	White
1	1	Ring	.	Aluminium	Neutral
Item nr	Qty	Description	.	Material	Std colour

Drawn: **Sebastien Ledemenev**
 Checked: **Eric Lecordier**
 Passed: **Tom Palmer**

Supplied By: The Cary Company
 Ph: 630-629-6600
 www.thecarycompany.com

Customer Drawing:	Rev:	Date Released:	Scale:	Size:
TSF-505053	1	10-02-2006	1:1	A4

This drawing is our property and is confidential. It must not be copied or shown to third parties.
 Printed versions are uncontrolled.